

HJEM



SQUARE WALL PLATE FAN

MANUFACTURING FEATURES

- Square plate made of galvanized steel sheet.
- Aluminium sheet impeller.
- Supplied with motor support and protection guard according to the UNE-EN 294 standard.
- Shaded-pole asynchronous motor, rated Class F isolation and IP-42.

APPLICATIONS

- Designed for wall assembly, they are suitable for:
- Air renewal in all kind of closed environments.
 - Maximum working temperature: 50°C.

Accessories



INT



REG



**REG
VMC**



REGD



RPO

Technical data

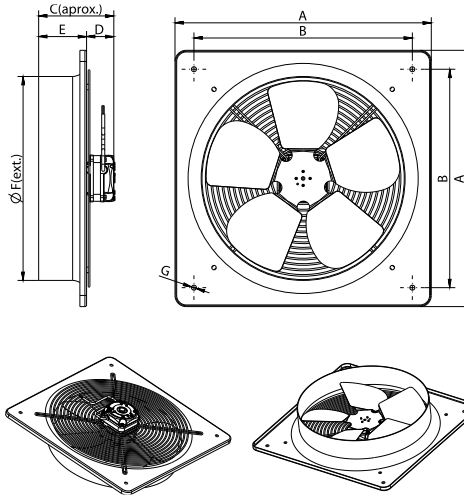
Single-phase motor

Code	Model	R.P.M.	Rated I. (A) 230V	Rated power kW	Max. Airflow m ³ /h	Sound db (A)**	Weight t	Connect. diagram
265201103	HJEM 20 M4	1320	0,21	0,029	510	24	1,50	1
265251103	HJEM 25 M4	1370	0,35	0,054	610	30	2,50	1
265301103	HJEM 30 M4	1260	0,7	0,075	1.220	36	3,50	1
265351103	HJEM 35 M4	1320	0,75	0,08	1.690	42	4	1

Notes:

** Total sound pressure level at the point of maximum flow measured in dB(A) in the suction measured in free field at a distance of 6m from the source

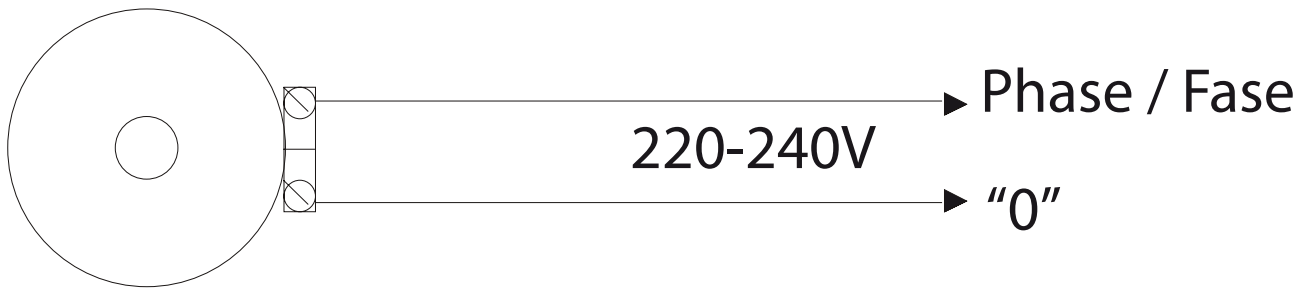
Dimensions



Model	A	B	C	D	E	ØF	ØG
HJEM 20 M4	312	262	97	49	48	201	7
HJEM 25 M4	370	320	100	50	52	253	7
HJEM 30 M4	404	337	156	74	82	308	9
HJEM 35 M4	460	392	160	74	86	361	9

Wiring diagram

DIAGRAM N° 1



CHARACTERISTIC CURVE

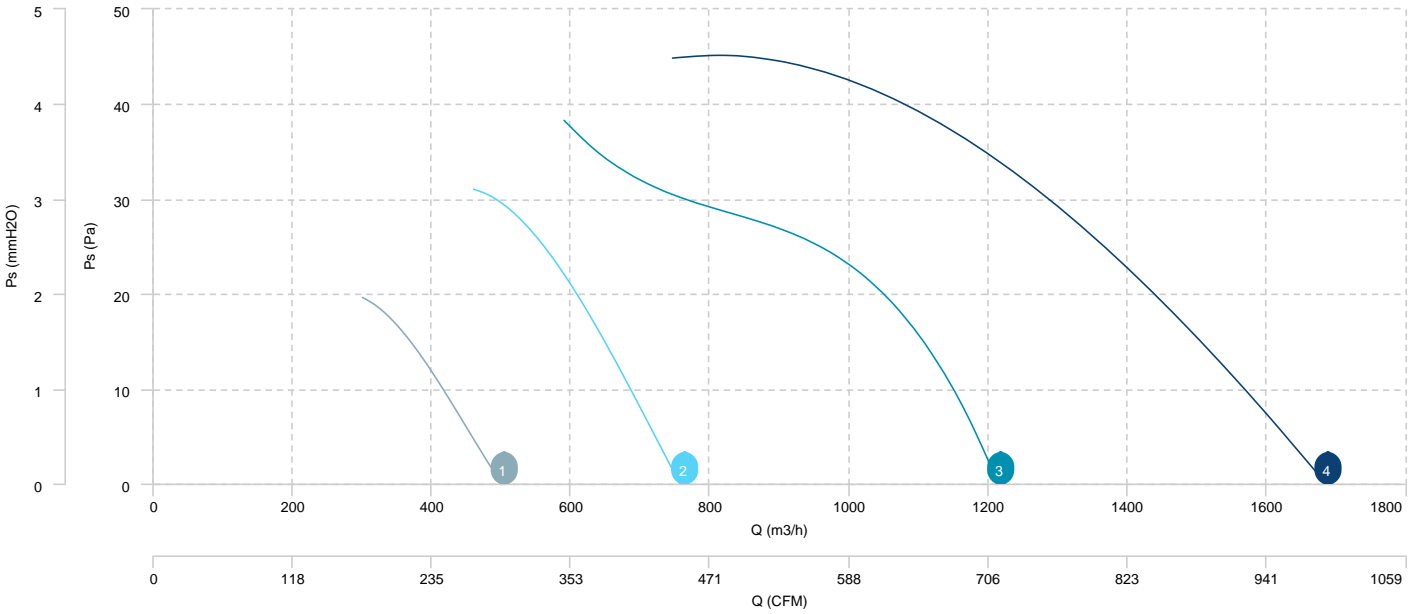
1 HJEM 20 M4

2 HJEM 25 M4

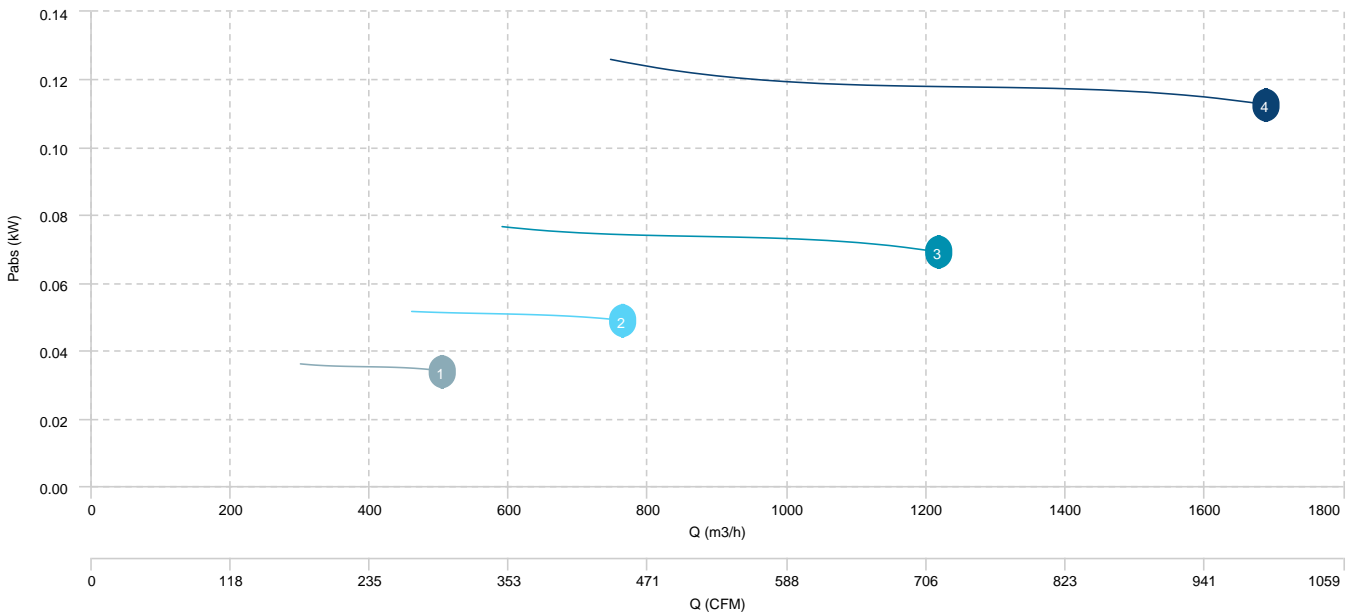
3 HJEM 30 M4

4 HJEM 35 M4

AIR FLOW - PRESSURE



AIR FLOW - ABSORBED POWER



Sound data

Sound power Lw dB (A)										
Model		63 Hz	125 Hz	250 Hz	500 Hz	1000 Hz	2000 Hz	4000 Hz	8000 Hz	Total
HJEM 20 M4	Inlet	20	33	42	46	46	42	37	28	50
HJEM 25 M4	Inlet	25	39	48	51	51	47	42	33	56
HJEM 30 M4	Inlet	32	45	54	58	58	54	49	40	62
HJEM 35 M4	Inlet	37	50	59	63	63	59	54	45	68