

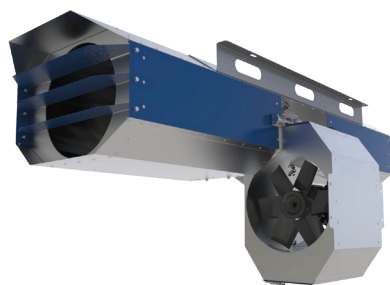
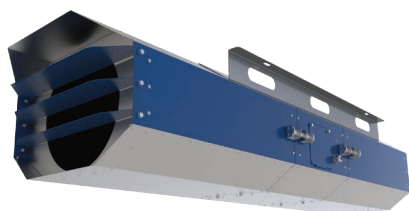
JET AXIAL FANS

JAF series

Unidirectional single- and double-speed
Reversible single- and double-speed



JAF – CI model



JAF – VI model

Axial jet fans for ventilation
of covered parking
Temperatures of the transported
medium: in continuous operation up
to +55 °C in smoke extraction mode:
300 °C – 2 hrs
400 °C – 2 hrs
Functionality. Power. Efficiency.

■ Application

JAF jet axial fans are designed for general purpose ventilation of underground and semiopened parking, ventilation of tunnels, smoke extraction in case of fire as a part of smoke extract system. The fans generate a high-speed and high-pressure directed air jet.

■ Modifications

Unidirectional single-speed type (U)
Unidirectional double-speed type (U)
Reversible single-speed (R)
Reversible double-speed (R)

■ Design

The casing of the JAF fan is made of polymer coated steel. The fans are available in two casing versions: cylindrical and octagonal.

The fan in an octagonal casing has a reduced height, a hinged hatch for electrical installation with captive bolts and a detachable middle part for maintenance. The casing includes inner brackets for motor fixation. These brackets act as directing vanes and distribute air flow uniformly, thus increasing aerodynamic performances of the fan. The fan has a sound insulation of mineral wool.

■ Motor

Three-phase asynchronous short-circuit rotor motor is installed inside the fan casing.

Motor ingress protection rating is IP55.

The motor design ensures operation of the fan in the smoke extract systems and/or general ventilation systems in unidirectional and reversible modes.

The motors are designed for 400 V mains voltage and 50 Hz mains frequency.

■ Impeller

The dynamically balanced impeller is made of cast aluminium alloy (for fans of smoke extraction systems) or of glass-fiber reinforced polyamide (for fans of general industrial use).

The reversible fans are equipped with 100 % reversible two-directional impeller.

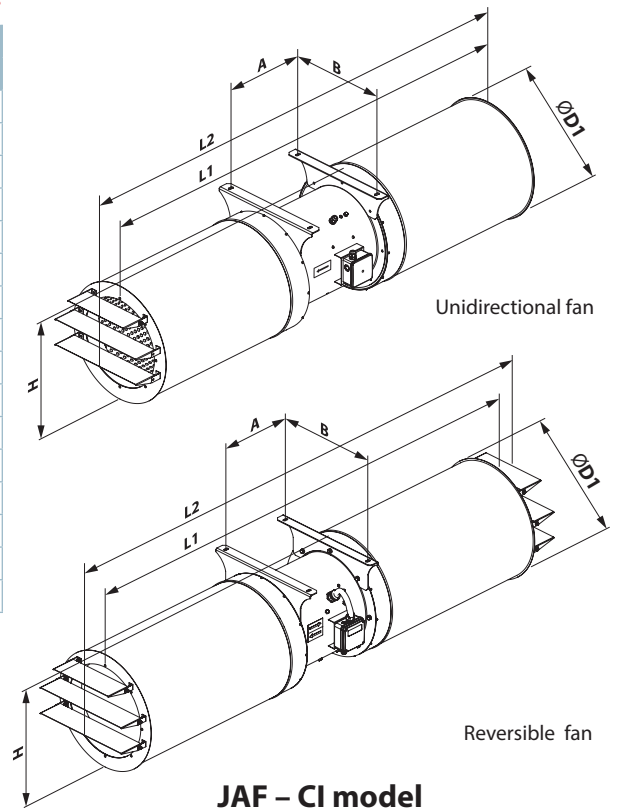
■ Mounting

JAF fans are designed for horizontal ceiling mounting and fixation by means of the supplied fixing brackets attached to the fan casing.

| Model | Casing type | Casing insulation | Diameter [mm] | High-powered motor | Pole number | Air flow | Fire resistance limit/hrs |
|-------------------------------|--|---|---|--|--|---|---|
| JAF (jet axial fan) | - C: round V: octagonal | no symbol means no sound insulation I: sound-insulated casing | - 315 355 400 450 500 560 630 | no symbol means the only available standard size M, S: model with a high-power motor | - 2 2/4 (applicable for double-speed motors) | - U: uni-directional R: reversible | - no number: max. +55 °C 300/2: 300 °C/2 hrs. 400/2: 400 °C/2 hrs. |

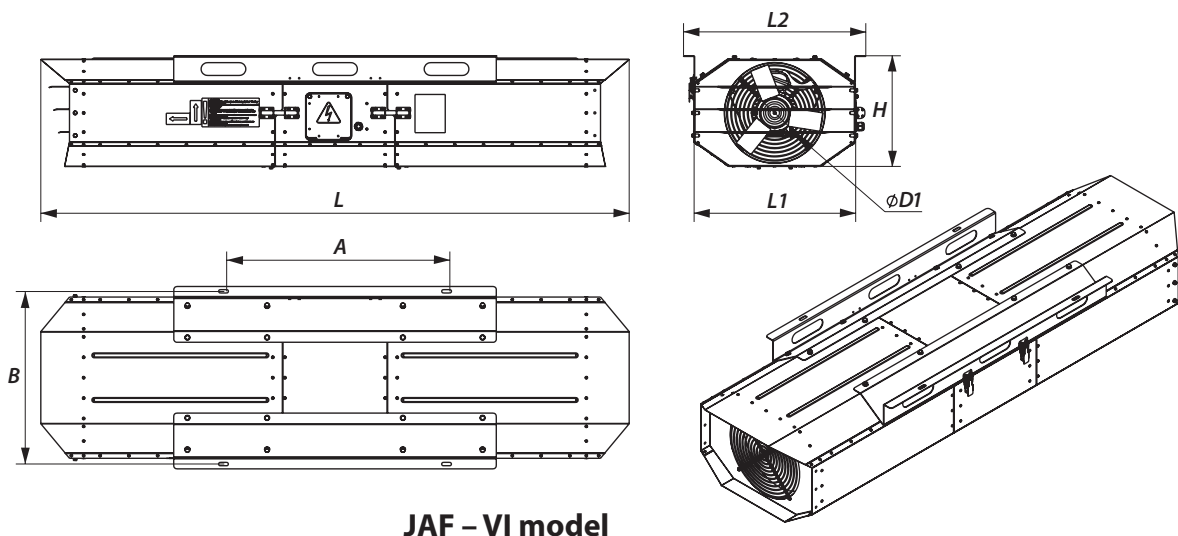
The fans with the fire resistance limit 200 °C/2 h can be manufactured on special request.

| Model | Dimensions [mm] | | | | | | Weight [kg] |
|----------------|-----------------|-----|-----|-----|------|------|-------------|
| | ØD1 | A | B | H | L1 | L2 | |
| Unidirectional | | | | | | | |
| JAF-CI-315-U | 414 | 302 | 355 | 425 | 1654 | 1763 | 40 |
| JAF-CI-355-U | 467 | 302 | 420 | 482 | 1954 | 2079 | 50 |
| JAF-CI-400-U | 515 | 351 | 460 | 525 | 2004 | 2129 | 65 |
| JAF-CI-450-U | 565 | 351 | 500 | 575 | 2004 | 2129 | 85 |
| JAF-CI-500-U | 603 | 371 | 580 | 620 | 2004 | 2145 | 110 |
| JAF-CI-560-U | 663 | 446 | 620 | 678 | 2093 | 2247 | 155 |
| JAF-CI-630-U | 733 | 550 | 710 | 748 | 2193 | 2357 | 245 |
| Reversible | | | | | | | |
| JAF-CI-315-R | 414 | 302 | 355 | 425 | 1654 | 1872 | 40 |
| JAF-CI-355-R | 467 | 302 | 420 | 482 | 1954 | 2202 | 50 |
| JAF-CI-400-R | 515 | 351 | 460 | 525 | 2004 | 2253 | 65 |
| JAF-CI-450-R | 565 | 351 | 500 | 575 | 2004 | 2253 | 85 |
| JAF-CI-500-R | 603 | 371 | 580 | 620 | 2004 | 2290 | 110 |
| JAF-CI-560-R | 663 | 446 | 620 | 678 | 2093 | 2400 | 155 |
| JAF-CI-630-R | 733 | 550 | 710 | 748 | 2193 | 2520 | 245 |



The fans with the fire resistance limit 200 °C/2 h can be manufactured on special request.

| Model | Dimensions [mm] | | | | | | | Weight [kg] |
|----------------|-----------------|-----|-----|-----|-----|------|-----|-------------|
| | ØD1 | A | B | L1 | L2 | L | H | |
| Unidirectional | | | | | | | | |
| JAF-VI-315-U | 315 | 700 | 542 | 507 | 572 | 1846 | 347 | 58 |
| JAF-VI-355-U | 355 | 700 | 583 | 546 | 613 | 2046 | 388 | 75 |
| JAF-VI-400-U | 400 | 750 | 632 | 590 | 667 | 2296 | 434 | 95 |
| Reversible | | | | | | | | |
| JAF-VI-315-R | 315 | 700 | 542 | 507 | 572 | 1846 | 347 | 58 |
| JAF-VI-355-R | 355 | 700 | 583 | 546 | 613 | 2046 | 388 | 75 |
| JAF-VI-400-R | 400 | 750 | 632 | 590 | 667 | 2296 | 434 | 95 |



JET AXIAL FANS

Technical data JAF-VI

| Ø [mm] | Air flow direction | Number of speeds | Model | Power [kW] | Max. air capacity [m ³ /h] | Fan pull [N] | Air speed [m/s] | RPM | Operating temperature [°C] | Sound pressure LpA, dB in 3 m | |
|--|--------------------|------------------|----------------------|-------------------------|---------------------------------------|--------------|-----------------|-----------|----------------------------|-------------------------------|-------|
| 315 | Unidirectional | 1 | JAF-VI-315-2-U | 0.55 | 4520 | 26 | 17.2 | 2880 | -25...+55 °C | 63 | |
| | | | JAF-VI-315-2-U-300/2 | | | | | | 300°C/2 h | 63 | |
| | | | JAF-VI-315-2-U-400/2 | | | | | | 400°C/2 h | 63 | |
| | | 2 | 0.75 | JAF-VI-315M-2-U | 0.75 | 4990 | 32 | 19 | 2880 | -25...+55 °C | 64 |
| | | | | JAF-VI-315M-2-U-300/2 | | | | | | 300°C/2 h | 64 |
| | | | | JAF-VI-315M-2-U-400/2 | | | | | | 400°C/2 h | 65 |
| | | | 0.55/0.11 | JAF-VI-315-2/4-U | 0.55/0.11 | 4520/2260 | 26/7 | 17.2/8.6 | 2880/1440 | -25...+55 °C | 63/48 |
| | | | | JAF-VI-315-2/4-U-300/2 | | | | | | 300°C/2 h | 63/48 |
| | | | | JAF-VI-315-2/4-U-400/2 | | | | | | 400°C/2 h | 63/48 |
| | Reversible | 1 | 0.8/0.2 | JAF-VI-315M-2/4-U | 0.8/0.2 | 4990/2490 | 32/8 | 19/9.5 | 2880/1440 | -25...+55 °C | 64/49 |
| | | | | JAF-VI-315M-2/4-U-300/2 | | | | | | 300°C/2 h | 64/49 |
| | | | | JAF-VI-315M-2/4-U-400/2 | | | | | | 400°C/2 h | 65/50 |
| | | 2 | 0.55 | JAF-VI-315-2-R | 0.55 | 4190 | 23 | 15.9 | 2880 | -25...+55 °C | 67 |
| | | | | JAF-VI-315-2-R-300/2 | | | | | | 300°C/2 h | 67 |
| | | | | JAF-VI-315-2-R-400/2 | | | | | | 400°C/2 h | 68 |
| | | | 0.55/0.11 | JAF-VI-315-2/4-R | 0.55/0.11 | 4180/2100 | 23/6 | 15.9/7.9 | 2880/1440 | -25...+55 °C | 67/52 |
| | | | | JAF-VI-315-2/4-R-300/2 | | | | | | 300°C/2 h | 67/52 |
| | | | | JAF-VI-315-2/4-R-400/2 | | | | | | 400°C/2 h | 68/53 |
| *Smoke extraction mode: once for two hours | | | | | | | | | | | |
| 355 | Unidirectional | 1 | JAF-VI-355-2-U | 0.75 | 5830 | 34 | 17.3 | 2880 | -25...+55 °C | 65 | |
| | | | JAF-VI-355-2-U-300/2 | | | | | | 300°C/2 h | 65 | |
| | | | JAF-VI-355-2-U-400/2 | | | | | | 400°C/2 h | 65 | |
| | | 2 | 1.1 | JAF-VI-355M-2-U | 1.1 | 6740 | 45 | 20.0 | 2880 | -25...+55 °C | 64 |
| | | | | JAF-VI-355M-2-U-300/2 | | | | | | 300°C/2 h | 64 |
| | | | | JAF-VI-355M-2-U-400/2 | | | | | | 400°C/2 h | 67 |
| | | | 0.8/0.2 | JAF-VI-355-2/4-U | 0.8/0.2 | 5830/3000 | 34/9 | 17.3/8.9 | 2880/1440 | -25...+55 °C | 65/50 |
| | | | | JAF-VI-355-2/4-U-300/2 | | | | | | 300°C/2 h | 65/50 |
| | | | | JAF-VI-355-2/4-U-400/2 | | | | | | 400°C/2 h | 65/50 |
| | Reversible | 1 | 1.1/0.25 | JAF-VI-355M-2/4-U | 1.1/0.25 | 6740/3370 | 45/12 | 20.0/10.0 | 2880/1440 | -25...+55 °C | 64/49 |
| | | | | JAF-VI-355M-2/4-U-300/2 | | | | | | 300°C/2 h | 64/49 |
| | | | | JAF-VI-355M-2/4-U-400/2 | | | | | | 400°C/2 h | 67/52 |
| | | 2 | 1.1 | JAF-VI-355-2-R | 1.1 | 5810 | 34 | 17.3 | 2880 | -25...+55 °C | 68 |
| | | | | JAF-VI-355-2-R-300/2 | | | | | | 300°C/2 h | 68 |
| | | | | JAF-VI-355-2-R-400/2 | | | | | | 400°C/2 h | 70 |
| | | | 1.1/0.25 | JAF-VI-355-2/4-R | 1.1/0.25 | 5810/2900 | 34/9 | 17.3/8.6 | 2810/1390 | -25...+55 °C | 68/53 |
| | | | | JAF-VI-355-2/4-R-300/2 | | | | | | 300°C/2 h | 68/53 |
| | | | | JAF-VI-355-2/4-R-400/2 | | | | | | 400°C/2 h | 70/55 |
| *Smoke extraction mode: once for two hours | | | | | | | | | | | |
| 400 | Unidirectional | 1 | JAF-VI-400-2-U | 1.1 | 8500 | 57 | 20.0 | 2880 | -25...+55 °C | 69 | |
| | | | JAF-VI-400-2-U-300/2 | | | | | | 300°C/2 h | 69 | |
| | | | JAF-VI-400-2-U-400/2 | | | | | | 400°C/2 h | 70 | |
| | | 2 | 2.2 | JAF-VI-400M-2-U | 2.2 | 9870 | 77 | 23.2 | 2880 | -25...+55 °C | 67 |
| | | | | JAF-VI-400M-2-U-300/2 | | | | | | 300°C/2 h | 67 |
| | | | | JAF-VI-400M-2-U-400/2 | | | | | | 400°C/2 h | 69 |
| | | | 1.1/0.25 | JAF-VI-400-2/4-U | 1.1/0.25 | 8500/4250 | 57/15 | 20.0/10.0 | 2880/1440 | -25...+55 °C | 69/54 |
| | | | | JAF-VI-400-2/4-U-300/2 | | | | | | 300°C/2 h | 69/54 |
| | | | | JAF-VI-400-2/4-U-400/2 | | | | | | 400°C/2 h | 70/55 |
| | Reversible | 1 | 2.2/0.5 | JAF-VI-400M-2/4-U | 2.2/0.5 | 9870/4930 | 77/20 | 23.2/11.6 | 2880/1440 | -25...+55 °C | 67/52 |
| | | | | JAF-VI-400M-2/4-U-300/2 | | | | | | 300°C/2 h | 67/52 |
| | | | | JAF-VI-400M-2/4-U-400/2 | | | | | | 400°C/2 h | 69/54 |
| | | 2 | 1.5 | JAF-VI-400-2-R | 1.5 | 8290 | 54 | 19.5 | 2880 | -25...+55 °C | 70 |
| | | | | JAF-VI-400-2-R-300/2 | | | | | | 300°C/2 h | 70 |
| | | | | JAF-VI-400-2-R-400/2 | | | | | | 400°C/2 h | 71 |
| | | | 1.5/0.37 | JAF-VI-400-2/4-R | 1.5/0.37 | 8290/4140 | 54/14 | 19.5/9.7 | 2880/1440 | -25...+55 °C | 70/55 |
| | | | | JAF-VI-400-2/4-R-300/2 | | | | | | 300°C/2 h | 70/55 |
| | | | | JAF-VI-400-2/4-R-400/2 | | | | | | 400°C/2 h | 71/56 |
| *Smoke extraction mode: once for two hours | | | | | | | | | | | |

■ Technical data JAF-CI

| Ø [mm] | Air flow direction | Number of speeds | Model | Power [kW] | Max. air capacity [m³/h] | Fan pull [N] | Air speed [m/s] | RPM | Operating temperature [°C] | Sound pressure LpA, dB in 3 m | |
|--|--------------------|-------------------------|----------------------|------------------------|--------------------------|--------------|-----------------|--------------|----------------------------|-------------------------------|-------|
| 315 | Unidirectional | 1 | JAF-CI-315-2-U | 0.55 | 4520 | 26 | 17.2 | 2880 | -25...+55 °C | 63 | |
| | | | JAF-CI-315-2-U-300/2 | | | | | | 300°C/2 h | 63 | |
| | | | JAF-CI-315-2-U-400/2 | | | | | | 400°C/2 h | 63 | |
| | | 2 | 0.75 | JAF-CI-315M-2-U | 0.75 | 4990 | 32 | 19 | 2880 | -25...+55 °C | 64 |
| | | | | JAF-CI-315M-2-U-300/2 | | | | | | 300°C/2 h | 64 |
| | | | | JAF-CI-315M-2-U-400/2 | | | | | | 400°C/2 h | 65 |
| | | | 0.55/0.11 | JAF-CI-315-2/4-U | 0.55/0.11 | 4520/2260 | 26/7 | 17.2/8.6 | 2880/1440 | -25...+55 °C | 63/48 |
| | | | | JAF-CI-315-2/4-U-300/2 | | | | | | 300°C/2 h | 63/48 |
| | | | | JAF-CI-315-2/4-U-400/2 | | | | | | 400°C/2 h | 63/48 |
| | 0.8/0.2 | JAF-CI-315M-2/4-U | 0.8/0.2 | 4990/2490 | 32/8 | 19/9.5 | 2880/1440 | -25...+55 °C | 64/49 | | |
| | | JAF-CI-315M-2/4-U-300/2 | | | | | | 300°C/2 h | 64/49 | | |
| | | JAF-CI-315M-2/4-U-400/2 | | | | | | 400°C/2 h | 65/50 | | |
| | Reversible | 1 | JAF-CI-315-2-R | 0.55 | 4190 | 23 | 15.9 | 2880 | -25...+55 °C | 67 | |
| | | | JAF-CI-315-2-R-300/2 | | | | | | 300°C/2 h | 67 | |
| | | | JAF-CI-315-2-R-400/2 | | | | | | 400°C/2 h | 68 | |
| 2 | | JAF-CI-315-2/4-R | 0.55/0.11 | 4180/2100 | 23/6 | 15.9/7.9 | 2880/1440 | -25...+55 °C | 67/52 | | |
| | | JAF-CI-315-2/4-R-300/2 | | | | | | 300°C/2 h | 67/52 | | |
| | | JAF-CI-315-2/4-R-400/2 | | | | | | 400°C/2 h | 68/53 | | |
| *Smoke extraction mode: once for two hours | | | | | | | | | | | |
| 355 | Unidirectional | 1 | JAF-CI-355-2-U | 0.75 | 5830 | 34 | 17.3 | 2880 | -25...+55 °C | 65 | |
| | | | JAF-CI-355-2-U-300/2 | | | | | | 300°C/2 h | 65 | |
| | | | JAF-CI-355-2-U-400/2 | | | | | | 400°C/2 h | 65 | |
| | | 2 | 1.1 | JAF-CI-355M-2-U | 1.1 | 6740 | 45 | 20.0 | 2880 | -25...+55 °C | 64 |
| | | | | JAF-CI-355M-2-U-300/2 | | | | | | 300°C/2 h | 64 |
| | | | | JAF-CI-355M-2-U-400/2 | | | | | | 400°C/2 h | 67 |
| | | | 0.8/0.2 | JAF-CI-355-2/4-U | 0.8/0.2 | 5830/3000 | 34/9 | 17.3/8.9 | 2880/1440 | -25...+55 °C | 65/50 |
| | | | | JAF-CI-355-2/4-U-300/2 | | | | | | 300°C/2 h | 65/50 |
| | | | | JAF-CI-355-2/4-U-400/2 | | | | | | 400°C/2 h | 65/50 |
| | 1.1/0.25 | JAF-CI-355M-2/4-U | 1.1/0.25 | 6740/3370 | 45/12 | 20.0/10.0 | 2880/1440 | -25...+55 °C | 64/49 | | |
| | | JAF-CI-355M-2/4-U-300/2 | | | | | | 300°C/2 h | 64/49 | | |
| | | JAF-CI-355M-2/4-U-400/2 | | | | | | 400°C/2 h | 67/52 | | |
| | Reversible | 1 | JAF-CI-355-2-R | 1.1 | 5810 | 34 | 17.3 | 2880 | -25...+55 °C | 68 | |
| | | | JAF-CI-355-2-R-300/2 | | | | | | 300°C/2 h | 68 | |
| | | | JAF-CI-355-2-R-400/2 | | | | | | 400°C/2 h | 70 | |
| 2 | | JAF-CI-355-2/4-R | 1.1/0.25 | 5810/2900 | 34/9 | 17.3/8.6 | 2810/1390 | -25...+55 °C | 68/53 | | |
| | | JAF-CI-355-2/4-R-300/2 | | | | | | 300°C/2 h | 68/53 | | |
| | | JAF-CI-355-2/4-R-400/2 | | | | | | 400°C/2 h | 70/55 | | |
| *Smoke extraction mode: once for two hours | | | | | | | | | | | |

JET AXIAL FANS

| Ø [mm] | Air flow direction | Number of speeds | Model | Power [kW] | Max. air capacity [m³/h] | Fan pull [N] | Air speed [m/s] | RPM | Operating temperature [°C] | Sound pressure LpA, dB in 3 m | | |
|--|-------------------------|------------------|------------------------|-------------------------|--------------------------|--------------|-----------------|--------------|----------------------------|-------------------------------|--------------|-------|
| 400 | Unidirectional | 1 | JAF-CI-400-2-U | 1.1 | 8500 | 57 | 20.0 | 2880 | -25...+55 °C | 69 | | |
| | | | JAF-CI-400-2-U-300/2 | | | | | | 300 °C/2 h | 69 | | |
| | | | JAF-CI-400-2-U-400/2 | | | | | | 400 °C/2 h | 70 | | |
| | | | JAF-CI-400M-2-U | 2.2 | 9870 | 77 | 23.2 | | 2880 | -25...+55 °C | 67 | |
| | | | JAF-CI-400M-2-U-300/2 | | | | | | | 300 °C/2 h | 67 | |
| | | | JAF-CI-400M-2-U-400/2 | | | | | | | 400 °C/2 h | 69 | |
| | | 2 | 1.1/0.25 | JAF-CI-400-2/4-U | 8500/4250 | 57/15 | 20.0/10.0 | 2880/1440 | | -25...+55 °C | 69/54 | |
| | | | | JAF-CI-400-2/4-U-300/2 | | | | | | 300 °C/2 h | 69/54 | |
| | | | | JAF-CI-400-2/4-U-400/2 | | | | | | 400 °C/2 h | 70/55 | |
| | | | 2.2/0.5 | JAF-CI-400M-2/4-U | 9870/4930 | 77/20 | 23.2/11.6 | | 2880/1440 | -25...+55 °C | 67/52 | |
| | | | | JAF-CI-400M-2/4-U-300/2 | | | | | | 300 °C/2 h | 67/52 | |
| | | | | JAF-CI-400M-2/4-U-400/2 | | | | | | 400 °C/2 h | 69/54 | |
| | Reversible | 1 | JAF-CI-400-2-R | 1.5 | 8290 | 54 | 19.5 | 2880 | | -25...+55 °C | 70 | |
| | | | JAF-CI-400-2-R-300/2 | | | | | | | 300 °C/2 h | 70 | |
| | | | JAF-CI-400-2-R-400/2 | | | | | | | 400 °C/2 h | 71 | |
| | | 2 | JAF-CI-400-2/4-R | 1.5/0.37 | 8290/4140 | 54/14 | 19.5/9.7 | | 2880/1440 | -25...+55 °C | 70/55 | |
| | | | JAF-CI-400-2/4-R-300/2 | | | | | | | 300 °C/2 h | 70/55 | |
| | | | JAF-CI-400-2/4-R-400/2 | | | | | | | 400 °C/2 h | 71/56 | |
| *Smoke extraction mode: once for two hours | | | | | | | | | | | | |
| 450 | Unidirectional | 1 | JAF-CI-450-2-U | 1.5 | 10400 | 67 | 19.3 | 2880 | | -25...+55 °C | 67 | |
| | | | JAF-CI-450-2-U-300/2 | | | | | | | 300 °C/2 h | 67 | |
| | | | JAF-CI-450-2-U-400/2 | | | | | | 400 °C/2 h | 67 | | |
| | | | JAF-CI-450M-2-U | 2.2 | 12800 | 100 | 23.3 | | 2850 | -25...+55 °C | 70 | |
| | | | JAF-CI-450M-2-U-300/2 | | | | | | | 300 °C/2 h | 70 | |
| | | | JAF-CI-450M-2-U-400/2 | | | | | | | 400 °C/2 h | 70 | |
| | | 2 | 1.5/0.37 | JAF-CI-450S-2-U | 14100 | 124 | 26.2 | 2890 | | -25...+55 °C | 69 | |
| | | | | JAF-CI-450S-2-U-300/2 | | | | | | 300 °C/2 h | 69 | |
| | | | | JAF-CI-450S-2-U-400/2 | | | | | | 400 °C/2 h | 72 | |
| | | | 2.2/0.5 | JAF-CI-450-2/4-U | 10400/5220 | 67/17 | 19.3/9.7 | | 2880/1440 | -25...+55 °C | 67/52 | |
| | | | | JAF-CI-450-2/4-U-300/2 | | | | | | 300 °C/2 h | 67/52 | |
| | | | | JAF-CI-450-2/4-U-400/2 | | | | | | 400 °C/2 h | 67/52 | |
| | | Reversible | 1 | JAF-CI-450M-2/4-U | 12800/6290 | 100/25 | 23.3/11.7 | 2880/1440 | | -25...+55 °C | 70/55 | |
| | | | | JAF-CI-450M-2/4-U-300/2 | | | | | | 300 °C/2 h | 70/55 | |
| | | | | JAF-CI-450M-2/4-U-400/2 | | | | | | 400 °C/2 h | 70/55 | |
| | | | 2 | 3.1/0.8 | JAF-CI-450S-2/4-U | 14100/7070 | 124/31 | | 26.2/13.1 | 2880/1440 | -25...+55 °C | 69/54 |
| | | | | | JAF-CI-450S-2/4-U-300/2 | | | | | | 300 °C/2 h | 69/54 |
| | | | | | JAF-CI-450S-2/4-U-400/2 | | | | | | 400 °C/2 h | 72/57 |
| | 1 | 1.5 | JAF-CI-450-2-R | 9280 | 54 | 17.2 | 2880 | -25...+55 °C | 73 | | | |
| | | | JAF-CI-450-2-R-300/2 | | | | | 300 °C/2 h | 73 | | | |
| | | | JAF-CI-450-2-R-400/2 | | | | | 400 °C/2 h | 71 | | | |
| | | 2.2 | JAF-CI-450M-2-R | 10400 | 67 | 19.2 | | 2850 | -25...+55 °C | 72 | | |
| | | | JAF-CI-450M-2-R-300/2 | | | | | | 300 °C/2 h | 72 | | |
| | | | JAF-CI-450M-2-R-400/2 | | | | | | 400 °C/2 h | 73 | | |
| | | 3 | JAF-CI-450S-2-R | 12800 | 102 | 23.7 | 2890 | | -25...+55 °C | 74 | | |
| | | | JAF-CI-450S-2-R-300/2 | | | | | | 300 °C/2 h | 74 | | |
| | | | JAF-CI-450S-2-R-400/2 | | | | | | 400 °C/2 h | 74 | | |
| | | 2 | 1.5/0.37 | JAF-CI-450-2/4-R | 9280/4640 | 54/14 | | 17.2/8.6 | 2880/1440 | -25...+55 °C | 73/58 | |
| | | | | JAF-CI-450-2/4-R-300/2 | | | | | | 300 °C/2 h | 73/58 | |
| | | | | JAF-CI-450-2/4-R-400/2 | | | | | | 400 °C/2 h | 71/56 | |
| 2.2/0.5 | JAF-CI-450M-2/4-R | | 10400/5190 | 67/17 | 19.2/9.6 | 2880/1440 | -25...+55 °C | 72/57 | | | | |
| | JAF-CI-450M-2/4-R-300/2 | | | | | | 300 °C/2 h | 72/57 | | | | |
| | JAF-CI-450M-2/4-R-400/2 | | | | | | 400 °C/2 h | 73/58 | | | | |
| 3.1/0.8 | JAF-CI-450S-2/4-R | 12800/6400 | 102/26 | 23.7/11.9 | 2880/1440 | | -25...+55 °C | 74/59 | | | | |
| | JAF-CI-450S-2/4-R-300/2 | | | | | | 300 °C/2 h | 74/59 | | | | |
| | JAF-CI-450S-2/4-R-400/2 | | | | | | 400 °C/2 h | 74/59 | | | | |
| *Smoke extraction mode: once for two hours | | | | | | | | | | | | |

| Ø [mm] | Air flow direction | Number of speeds | Model | Power [kW] | Max. air capacity [m ³ /h] | Fan pull [N] | Air speed [m/s] | RPM | Operating temperature [°C] | Sound pressure LpA, dB in 3 m |
|--|-------------------------|------------------|-------------------------|------------|---------------------------------------|--------------|-----------------|-----------|----------------------------|-------------------------------|
| 500 | Unidirectional | 2 | JAF-CI-500-2/4-U | 3.1/0.8 | 16200/8120 | 132/34 | 24.3/12.2 | 2880/1440 | -25...+55 °C | 72/57 |
| | | | JAF-CI-500-2/4-U-300/2 | | | | | | 300 °C/2 h | 72/57 |
| | | | JAF-CI-500-2/4-U-400/2 | | | | | | 400 °C/2 h | 70/55 |
| | | | JAF-CI-500M-2/4-U | 4.4/1.1 | 18500/9240 | 171/43 | 27.7/13.8 | 2880/1440 | -25...+55 °C | 72/57 |
| | | | JAF-CI-500M-2/4-U-300/2 | | | | | | 300 °C/2 h | 72/57 |
| | JAF-CI-500M-2/4-U-400/2 | 400 °C/2 h | 74/59 | | | | | | | |
| | Reversible | 2 | JAF-CI-500-2/4-R | 3.1/0.8 | 14500/7250 | 105/27 | 21.7/10.8 | 2880/1440 | -25...+55 °C | 77/62 |
| | | | JAF-CI-500-2/4-R-300/2 | | | | | | 300 °C/2 h | 77/62 |
| | | | JAF-CI-500-2/4-R-400/2 | | | | | | 400 °C/2 h | 75/60 |
| | | | JAF-CI-500M-2/4-R | 4.4/1.1 | 16600/8310 | 138/35 | 24.8/12.4 | 2880/1440 | -25...+55 °C | 76/61 |
| JAF-CI-500M-2/4-R-300/2 | | | 300 °C/2 h | | | | | | 76/61 | |
| JAF-CI-500M-2/4-R-400/2 | 400 °C/2 h | 77/62 | | | | | | | | |
| *Smoke extraction mode: once for two hours | | | | | | | | | | |
| 560 | Unidirectional | 2 | JAF-CI-560-2/4-U | 4.4/1.1 | 20200/10100 | 167/42 | 24.7/12.4 | 2880/1440 | -25...+55 °C | 74/59 |
| | | | JAF-CI-560-2/4-U-300/2 | | | | | | 300 °C/2 h | 74/59 |
| | | | JAF-CI-560-2/4-U-400/2 | | | | | | 400 °C/2 h | 74/59 |
| | | | JAF-CI-560M-2/4-U | 8/2 | 25100/12500 | 257/64 | 30.7/15.3 | 2880/1440 | -25...+55 °C | 76/61 |
| | | | JAF-CI-560M-2/4-U-300/2 | | | | | | 300 °C/2 h | 76/61 |
| | JAF-CI-560M-2/4-U-400/2 | 400 °C/2 h | 77/62 | | | | | | | |
| | Reversible | 2 | JAF-CI-560-2/4-R | 4.4/1.1 | 16800/8410 | 115/29 | 20.5/10.3 | 2880/1440 | -25...+55 °C | 77/62 |
| | | | JAF-CI-560-2/4-R-300/2 | | | | | | 300 °C/2 h | 77/62 |
| | | | JAF-CI-560-2/4-R-400/2 | | | | | | 400 °C/2 h | 77/62 |
| | | | JAF-CI-560M-2/4-R | 6/1.5 | 21100/10500 | 182/46 | 25.8/12.9 | 2880/1440 | -25...+55 °C | 79/64 |
| JAF-CI-560M-2/4-R-300/2 | | | 300 °C/2 h | | | | | | 79/64 | |
| JAF-CI-560M-2/4-R-400/2 | 400 °C/2 h | 77/62 | | | | | | | | |
| *Smoke extraction mode: once for two hours | | | | | | | | | | |
| 630 | Unidirectional | 2 | JAF-CI-630-2/4-U | 12/3 | 31500/15700 | 320/80 | 30.4/15.2 | 2880/1440 | -25...+55 °C | 79/64 |
| | | | JAF-CI-630-2/4-U-300/2 | | | | | | 300 °C/2 h | 79/64 |
| | | | JAF-CI-630-2/4-U-400/2 | | | | | | 400 °C/2 h | 77/62 |
| | | | JAF-CI-630M-2/4-U | 16/4 | 35200/17650 | 399/101 | 34/17 | 2880/1440 | -25...+55 °C | 81/66 |
| | | | JAF-CI-630M-2/4-U-300/2 | | | | | | 300 °C/2 h | 81/66 |
| | JAF-CI-630M-2/4-U-400/2 | 400 °C/2 h | 78/63 | | | | | | | |
| | Reversible | 2 | JAF-CI-630-2/4-R | 12/3 | 26700/13400 | 230/58 | 25.8/12.9 | 2880/1440 | -25...+55 °C | 85/70 |
| | | | JAF-CI-630-2/4-R-300/2 | | | | | | 300 °C/2 h | 85/70 |
| | | | JAF-CI-630-2/4-R-400/2 | | | | | | 400 °C/2 h | 82/67 |
| | | | JAF-CI-630M-2/4-R | 16/4 | 29100/14600 | 274/69 | 28.2/14.1 | 2880/1440 | -25...+55 °C | 86/71 |
| JAF-CI-630M-2/4-R-300/2 | | | 300 °C/2 h | | | | | | 86/71 | |
| JAF-CI-630M-2/4-R-400/2 | 400 °C/2 h | 82/67 | | | | | | | | |
| *Smoke extraction mode: once for two hours | | | | | | | | | | |