

NIMUS



CENTRIFUGAL FAN, FOR CLEAN OR SLIGHTLY DUSTY AIR

MANUFACTURING FEATURES

- Medium pressure centrifugal fan with direct coupling.
- Reinforced housing made of carbon laminated steel, protected against corrosion by powder coating polyester resin RAL 5010. Finish C3.
- Casing fully latched and adjustable.
- Self-cleaning turbine and reinforced impeller with high-performance backward (reaction) blades made of carbon laminated steel dynamically balanced to minimize noise and vibrations. Black painted RAL 9005
- Squirrel cage standardized asynchronous IEC motor with IP-55 protection and class F electrical insulation. Standard voltages 230/400V 50Hz for three-phase motors up to 4kW and 400/690V 50Hz for higher powers.
- Motor with feet (B3) supported on motor support foot.
- Models of size 500 and above are supplied with a front support foot, for the other models the front support foot is optional.
- Available in the following orientations (to be indicated in case of order): LG0, LG45, LG90, LG135, LG180; LG225, LG270, LG315, RD0, RD45, RD90, RD135, RD180; RD225, RD270, RD315.
- Maximum working temperature in continuous: air transported: 130°C, Environment: 60°C.

Accessories



APPLICATIONS

Suitable for moving clean or dusty air. Designed to be installed in conduit for suction or impulsion.

- Paint booths
- Collection of dust
- Food industry dryers
- Food processing
- Incineration
- Odor control in industry
- Indoor / outdoor pollution control
- Big buildings
- Malls
- Factories / Industrial buildings
- Warehouses
- Extraction of smoke
- Boilers and ovens
- Manufacture and treatment of chemical products.
- Tunnels, underground stations.

ON DEMAND

- Fans for special voltages.
- 2 speed motor.
- C4 or C5 coating painting
- Hot dip galvanized
- Inox 304 (normal or electropolished finish)
- Inox 316 (normal or electropolished finish)
- Cooling wheel
- Anticaloric paint
- Fully welded housing (waterproof)
- Inspection door to facilitate maintenance and cleaning
- Drain plug.
- Airtight axle
- Non-sparking air passage and standard motor
- Other brands of motors.

Technical data

Three-phase motor / 2 poles

Code	Model	R.P.M.	Rated I. A		Rated power kW	Max. Airflow m ³ /h	Sound db (A)**	Weight kg	Connect. diagram
			230V	400V					
NS311280	NIMUS 311 T2 1,1kW	2800	4,05	2,33	1,10	4.720	58	34,97	1
NS351290	NIMUS 351 T2 2,2kW	2840	7,97	4,58	2,20	6.750	62	44,12	1
NS4012100	NIMUS 401 T2 3kW	2880	10,3	5,92	3,00	9.660	66	61,47	1
NS4512132	NIMUS 451 T2 7,5kW	2910	-	14,1	7,50	13.750	69	86,03	1
NS5012160	NIMUS 501 T2 11kW	2940	-	20,8	11,00	18.850	73	110,05	1

Three-phase motor / 4 poles

Code	Model	R.P.M.	Rated I. A		Rated power kW	Max. Airflow m ³ /h	Sound db (A)**	Weight kg	Connect. diagram
			230V	400V					
NS311471	NIMUS 311 T4 0,37kW	1370	1,86	1,07	0,37	2.360	43	34,50	1
NS351471	NIMUS 351 T4 0,37kW	1370	1,86	1,07	0,37	3.380	47	43,16	1
NS401480	NIMUS 401 T4 0,55kW	1440	2,57	1,49	0,55	4.830	51	55,47	1
NS451480	NIMUS 451 T4 0,75kW	1410	2,83	1,63	0,75	6.880	54	69,17	1
NS501490	NIMUS 501 T4 1,5kW	1450	5,67	3,26	1,50	9.430	57	87,37	1
NS5614100	NIMUS 561 T4 2,2kW	1435	8,07	4,64	2,20	13.250	61	121,40	1
NS6314112	NIMUS 631 T4 4kW	1440	14,5	8,32	4,00	18.860	65	150,22	1
NS7114132	NIMUS 711 T4 7,5kW	1455	-	14,1	7,50	26.990	68	202,22	1
NS8014160	NIMUS 801 T4 15kW	1465	-	29,8	15,00	38.610	72	266,35	1
NS9014200	NIMUS 901 T4 30kW	1475	-	56,3	30,00	54.970	75	369,35	1
NS10014225	NIMUS 1001 T4 45kW	1475	-	80,7	45,00	75.400	79	438,91	1

Three-phase motor / 6 poles

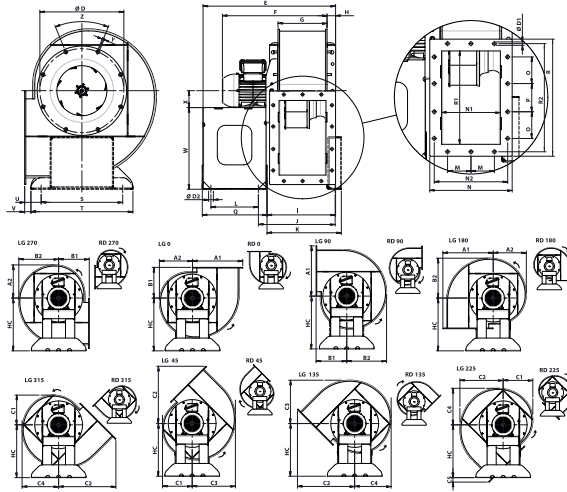
Code	Model	R.P.M.	Rated I. A		Rated power kW	Max. Airflow m ³ /h	Sound db (A)**	Weight kg	Connect. diagram
			230V	400V					
NS501680	NIMUS 501 T6 0,37kW	900	2,2	1,27	0,37	6.290	49	86,82	1
NS561690	NIMUS 561 T6 0,75kW	925	3,39	1,95	0,75	8.830	52	114,84	1
NS6316100	NIMUS 631 T6 1,5kW	940	6,45	3,71	1,50	12.570	56	149,63	1
NS7116112	NIMUS 711 T6 2,2kW	965	10,3	5,94	2,20	17.990	59	189,97	1
NS8016132	NIMUS 801 T6 4kW	960	16,5	9,46	4,00	25.740	63	252,46	1
NS9016160	NIMUS 901 T6 7,5kW	965	-	15,2	7,50	36.650	67	323,75	1
NS10016180	NIMUS 1001 T6 15kW	970	-	27,7	15,00	50.270	70	399,93	1
NS501611281	NIMUS 1121 T6 30kW	985	-	54,4	30,00	68.410	71	1153	1

Code	Model	R.P.M.	Rated I. A		Rated power kW	Max. Airflow m ³ /h	Sound db (A)**	Weight kg	Connect. diagram
			230V	400V					
NS501611282	NIMUS 1122 T6 37kW	985	-	66,8	37,00	75.610	67	1242	1
NS501612586	NIMUS 1251 T6 55kW	985	-	102,00	55,00	97.210	74	1739	1
NS501612588	NIMUS 1252 T6 75kW	990	-	138,00	75,00	108.010	76	1960	1
NS501614106	NIMUS 1401 T6 90kW	990	-	164,00	90,00	122.410	77	2342	1
NS501614107	NIMUS 1402 T6 110kW	990	-	199,00	110,00	140.010	77	2363	1

Notes:

** Total sound pressure level at the point of maximum flow measured in dB(A) in the suction measured in free field at a distance of 6m from the source

Dimensions



Model	A1	A2	B1	B2	C1	C2	C3	C4	C5
NIMUS 311 T2 1,1kW	396	260.7	241.3	314. 1000000 0000002	234	450.6	340.8	287. 3999999 9999998	35
NIMUS 311 T4 0,37kW	396	260.7	241.3	314. 1000000 0000002	234	450.6	340.8	287. 3999999 9999998	35
NIMUS 351 T2 2,2kW	441.8	292. 3999999 9999998	266.2	352.6	262.3	500.6	382.7	322.5	40
NIMUS 351 T4 0,37kW	441.8	292. 3999999 9999998	266.2	352.6	262.3	500.6	382.7	322.5	40
NIMUS 401 T2 3kW	493	328.2	294.3	396.1	294.3	556. 7000000 0000005	430.1	362.2	46.1
NIMUS 401 T4 0,55kW	493	328.2	294.3	396.1	294.3	556. 7000000 0000005	430.1	362.2	46.1
NIMUS 451 T2 7,5kW	549. 2999999 9999995	367.7	325. 3999999 9999998	444	329.6	618.5	482.2	405.9	47.9
NIMUS 451 T4 0,75kW	549. 2999999 9999995	367.7	325. 3999999 9999998	444	329.6	618.5	482.2	405.9	47.9

Model	D	D1	D2	E	F	G	H	HC	I
NIMUS 311 T2 1,1kW	354.5	11.5	20	558.9	459.5	207	35.5	415.6	289
NIMUS 311 T4 0,37kW	354.5	11.5	20	558.9	441.5	207	35.5	415.6	289

Model	D	D1	D2	E	F	G	H	HC	I
NIMUS 351 T2 2,2kW	394.5	11.5	20	594. 7999999 9999995	534	233	35.5	460.6	352.4
NIMUS 351 T4 0,37kW	394.5	11.5	20	594. 7999999 9999995	468	233	35.5	460.6	352.4
NIMUS 401 T2 3kW	438	11.5	20	622. 7999999 9999995	594.1	261	35.5	510.6	380.4
NIMUS 401 T4 0,55kW	438	11.5	20	622. 7999999 9999995	515	261	35.5	510.6	380.4
NIMUS 451 T2 7,5kW	485	11.5	20	868.1	725	293	48.5	570.6	437.8
NIMUS 451 T4 0,75kW	485	11.5	20	667.8	554.5	293	48.5	570.6	437.6

Model	J	K	L	M	N	N1	N2	O	P
NIMUS 311 T2 1,1kW	324	313.5	200	79	278	198	248	90	95
NIMUS 311 T4 0,37kW	324	313.5	200	79	278	198	248	90	95
NIMUS 351 T2 2,2kW	314. 8999999 9999998	339.4	205	92	304	224	274	105	105
NIMUS 351 T4 0,37kW	314. 8999999 9999998	339.4	205	92	304	224	274	105	105
NIMUS 401 T2 3kW	342.9	367.4	205	106	332	252	302	120	120
NIMUS 401 T4 0,55kW	342.9	367.4	205	106	332	252	302	120	120
NIMUS 451 T2 7,5kW	394.4	428.9	385	112	364	284	334	130	130
NIMUS 451 T4 0,75kW	394.4	428.9	185	112	364	284	334	130	130

Model	Q	R	R1	R2	S	T	U	V	W
NIMUS 311 T2 1,1kW	272. 8999999 9999998	395	315	365	344	430	69.3	26.3	355.6
NIMUS 311 T4 0,37kW	272. 8999999 9999998	395	315	365	344	430	69.3	26.3	344.6
NIMUS 351 T2 2,2kW	282. 8999999 9999998	435	355	405	397	473	67.7	29.7	370.6
NIMUS 351 T4 0,37kW	282. 8999999 9999998	435	355	405	397	473	67.7	29.7	389.6
NIMUS 401 T2 3kW	282. 8999999 9999998	480	400	450	397	473	95.8	57.8	410.6

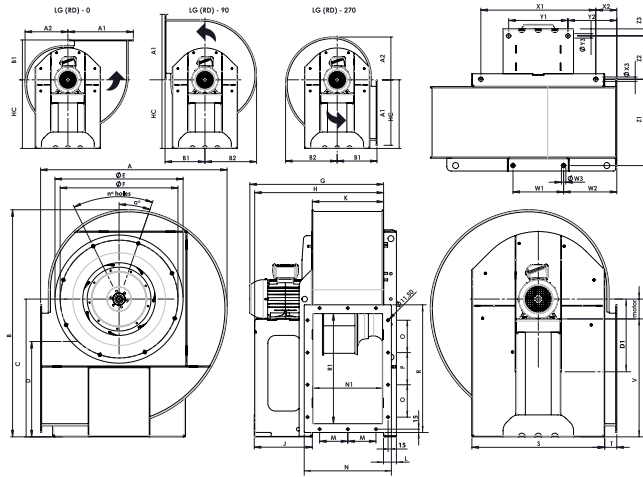
Model	A1	A2	B1	B2	C1	C2	C3	C4	C5
NIMUS 501 T2 11kW	606	407.4	356.6	492.2	365	680.66	534.6	449.8	50.06
NIMUS 501 T4 1,5kW	606	407.4	356.6	492.2	365	680.66	534.6	449.8	50.06
NIMUS 501 T6 0,37kW	606	407.4	356.6	492.2	365	680.66	534.6	449.8	50.06
NIMUS 711 T4 7,5kW	843.7	573.9	487.5	694.3	513. 7000000 0000005	941.3	754.5	634.1	76.3
NIMUS 711 T6 2,2kW	843.7	573.9	487.5	694.3	513. 7000000 0000005	941.3	754.5	634.1	76.3

Model	D	D1	D2	E	F	G	H	HC	I
NIMUS 501 T2 11kW	-	11.5	535	915.61	838.05	325	58.5	625.6	427.43
NIMUS 501 T4 1,5kW	-	11.5	535	714.8	623. 0700000 0000005	325	58.5	625.6	427.16
NIMUS 501 T6 0,37kW	-	11.5	535	714.8	580. 7000000 0000005	325	58.5	625.6	427.16
NIMUS 711 T4 7,5kW	755	11.5	20	1048. 6099999 999999	890.3	458	58.5	865	560. 4299999 9999995
NIMUS 711 T6 2,2kW	755	11.5	20	1048. 6099999 999999	814.9	458	58.5	865	560. 4299999 9999995

Model	J	K	L	M	N	N1	N2	O	P
NIMUS 501 T2 11kW	471.1	460.53	385	128	396	316	366	147	146
NIMUS 501 T4 1,5kW	470.16	460.26	185	128	396	316	366	147	146
NIMUS 501 T6 0,37kW	470.55	460.26	185	128	396	316	366	147	146
NIMUS 711 T4 7,5kW	604.1	593.53	385	184.5	529	449	499	210	210
NIMUS 711 T6 2,2kW	604.1	593.53	385	184.5	529	449	499	210	210

Model	Q	R	R1	R2	S	T	U	V	W
NIMUS 501 T2 11kW	465.19	580	500	550	487	563	113.1	75. 0999999 9999999 4	465.6
NIMUS 501 T4 1,5kW	264.64	580	500	550	397	563	158.1	75. 0999999 9999999 4	535.6
NIMUS 501 T6 0,37kW	264.64	580	500	550	397	563	158.1	75. 0999999 9999999 4	545.6
NIMUS 711 T4 7,5kW	465.19	790	710	760	487	563	244	206	-
NIMUS 711 T6 2,2kW	465.19	790	710	760	487	563	244	206	-

Model	X	Y	Z
NIMUS 501 T2 11kW	160	M8	8x45°
NIMUS 501 T4 1,5kW	90	M8	8x45°
NIMUS 501 T6 0,37kW	80	M8	8x45°
NIMUS 711 T4 7,5kW	-	M8	16x22,5°
NIMUS 711 T6 2,2kW	-	M8	16x22,5°



Model	A	A1	A2	B	B1	B2	C	D	D1
NIMUS 561 T4 2,2kW	942.5	674	453.5	1148. 5999999 999999	394	548.5	695.1	341.1	354
NIMUS 561 T6 0,75kW	942.5	674	453.5	1148. 5999999 999999	394	548.5	695.1	341.1	354
NIMUS 631 T4 4kW	1053.5	753.3	509	1284	437.6	615.9	775	376.8	398
NIMUS 631 T6 1,5kW	1053.5	753.3	509	1284	437.6	615.9	775	376.8	398
NIMUS 801 T4 15kW	1323.1	945.7	643. 7999999 9999995	1609	543.6	779.5	965	459.4	506
NIMUS 801 T6 4kW	1323.1	945.7	643. 7999999 9999995	1609	543.6	779.5	965	459.4	506
NIMUS 901 T4 30kW	1481.7	1059	723	1813	606	875.5	1090	521. 2000000 0000005	570
NIMUS 901 T6 7,5kW	1481.7	1059	723	1813	606	875.5	1090	521. 2000000 0000005	570
NIMUS 1001 T4 45kW	1640	1172	802	2002	668.2	971.8	1200	168	633
NIMUS 1001 T6 15kW	1640	1172	802	2002	668.2	971.8	1200	168	633

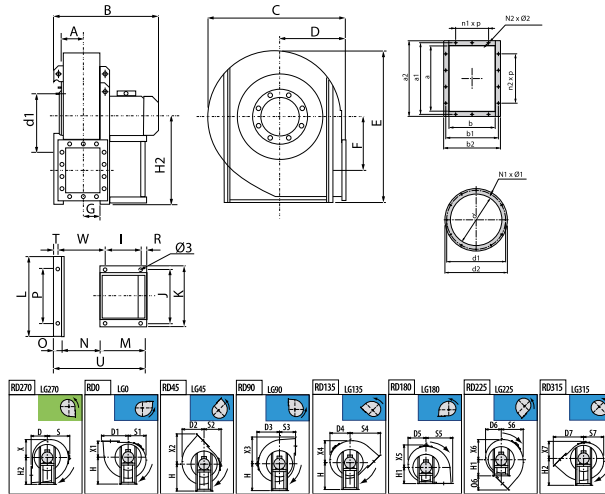
Model	E	F	G (±)	H	HC	J	K	L	M
NIMUS 561 T4 2,2kW	650	608	693.5	684.9	695.1	326.5	361.5	59	147
NIMUS 561 T6 0,75kW	650	608	644.4	624.5	695.1	266	361.5	59	147
NIMUS 631 T4 4kW	710	675	754.8	733.5	775.1	331	405.5	59	169
NIMUS 631 T6 1,5kW	710	675	736.8	729	775.1	326.5	405.5	59	169
NIMUS 801 T4 15kW	930	845	1057. 5999999 999999	1005.5	965.1	496	512.5	59	202.5
NIMUS 801 T6 4kW	930	845	937.5	905	965.1	395	512.5	59	202.5
NIMUS 901 T4 30kW	1065	987	1244.2	1158.5	1090	587	574.5	69	223.5
NIMUS 901 T6 7,5kW	1065	987	1120. 5999999 999999	1067.5	1090	496	574.5	69	223.5
NIMUS 1001 T4 45kW	1172	1093	1426	1248.5	1200	611	640.5	69	256.5
NIMUS 1001 T6 15kW	1172	1093	1271.5	1169	1200	531.5	640.5	69	256.5

Model	N	N1	O	P	R	R1	S	T	V
NIMUS 561 T4 2,2kW	434	354	165	170	640	560	673.4	57.3	595.1
NIMUS 561 T6 0,75kW	434	354	165	170	640	560	673.4	57.3	605.1
NIMUS 631 T4 4kW	478	398	190	190	710	630	754.4	60.4	663.1
NIMUS 631 T6 1,5kW	478	398	190	190	710	630	754.4	60.4	675.1
NIMUS 801 T4 15kW	585	505	233	234	880	800	951.4	67. 9000000 0000000 6	805.1
NIMUS 801 T6 4kW	585	505	233	234	880	800	951.4	67. 9000000 0000000 6	833.1
NIMUS 901 T4 30kW	647	567	260	260	980	900	1081. 4000000 000001	65.2	890.1
NIMUS 901 T6 7,5kW	647	567	260	260	980	900	1081. 4000000 000001	65.2	930.1
NIMUS 1001 T4 45kW	713	633	293	294	1080	1000	1201. 4000000 000001	67.5	975.1
NIMUS 1001 T6 15kW	713	633	293	294	1080	1000	1201. 4000000 000001	67.5	1020.1

Model	W1	W2	W3	X1	X2	X3	Y1	Y2	Y3
NIMUS 561 T4 2,2kW	250	269	20	592	98	20	339.8	224.1	20
NIMUS 561 T6 0,75kW	250	269	20	592	98	20	269.2	259. 3999999 9999998	20

Model	W1	W2	W3	X1	X2	X3	Y1	Y2	Y3
NIMUS 631 T4 4kW	330	272. 6000000 0000002	20	676	101.1	20	339.8	267.7	20
NIMUS 631 T6 1,5kW	330	272. 6000000 0000002	20	676	101.1	20	339.8	267.7	20
NIMUS 801 T4 15kW	450	318. 6000000 0000002	20	870	108.6	20	431.2	328	20
NIMUS 801 T6 4kW	450	318. 6000000 0000002	20	870	108.6	20	369.8	358.7	20
NIMUS 901 T4 30kW	510	351	20	1000	106	20	521. 2000000 0000005	320.3	20
NIMUS 901 T6 7,5kW	510	351	20	1000	106	20	431.2	390.3	20
NIMUS 1001 T4 45kW	600	368.2	20	1120	108.2	20	571. 2000000 0000005	382.6	20
NIMUS 1001 T6 15kW	600	368.2	20	1120	108.2	20	461.2	437.6	20

Model	Z1	Z2	Z3	a°	motor	n°holes
NIMUS 561 T4 2,2kW	430.7	257	33.5	15°	100	12x30°
NIMUS 561 T6 0,75kW	430.7	197	33.5	15°	90	12x30°
NIMUS 631 T4 4kW	474.7	262	33.5	0°	112	12x30°
NIMUS 631 T6 1,5kW	474.7	257	33.5	0°	100	12x30°
NIMUS 801 T4 15kW	581. 7000000 0000005	427	33.5	11,25°	160	16x22,5°
NIMUS 801 T6 4kW	581. 7000000 0000005	327	32.5	11,25°	132	16x22,5°
NIMUS 901 T4 30kW	653. 7000000 0000005	518	33.5	16°	200	16x22,5°
NIMUS 901 T6 7,5kW	653. 7000000 0000005	427	33.5	16°	160	16x22,5°
NIMUS 1001 T4 45kW	719.7	542	33.5	11,25°	225	16x22,5°
NIMUS 1001 T6 15kW	719.7	462	33.5	11,25°	180	16x22,5°



Model	A	B	C	D	D1	D2	D3	D4	D5
NIMUS 1121 T6 30kW	404	1611	1884	800	1319	1132	1084	1037	932
NIMUS 1122 T6 37kW	404	1719	1884	800	1319	1132	1084	1037	932
NIMUS 1251 T6 55kW	452	1818	2114	900	1474	1270	1214	1163	1048
NIMUS 1252 T6 75kW	452	2030	2114	900	1474	1270	1214	1163	1048
NIMUS 1401 T6 90kW	507	2330	2325	1000	1635	1395	1325	1272	1136
NIMUS 1402 T6 110kW	507	2330	2325	1000	1635	1395	1325	1272	1136

Model	D6	D7	E	F	G	H	H1	H2	I
NIMUS 1121 T6 30kW	793	1498	2252	684	401	1060	800	1320	415
NIMUS 1122 T6 37kW	793	1498	2252	684	401	1060	800	1320	475
NIMUS 1251 T6 55kW	898	1679	2548	770	449	1190	900	1500	565
NIMUS 1252 T6 75kW	898	1679	2548	770	449	1190	900	1500	675
NIMUS 1401 T6 90kW	990	1863	2836	854	504	1320	1000	1700	645
NIMUS 1402 T6 110kW	990	1863	2836	854	504	1320	1000	1700	645

Model	J	K	L	M	N	N1xØ1	N2xØ2	O	O6
NIMUS 1121 T6 30kW	1178	1268	1400	540	802	24x14	20x18	100	398
NIMUS 1122 T6 37kW	1178	1268	1400	600	802	24x14	20x18	100	398
NIMUS 1251 T6 55kW	1310	1400	1530	690	898	24x17	24x18	100	779
NIMUS 1252 T6 75kW	1310	1400	1530	800	898	24x17	24x18	100	779
NIMUS 1401 T6 90kW	1450	1560	1690	800	1008	32x17	24x18	130	863
NIMUS 1402 T6 110kW	1450	1560	1690	800	1008	32x17	24x18	130	863

Model	P	R	S	S1	S2	S3	S4	S5	S6
NIMUS 1121 T6 30kW	1178	1400	1084	932	793	800	1498	1319	1132
NIMUS 1122 T6 37kW	1178	1400	1084	932	793	800	1498	1319	1132
NIMUS 1251 T6 55kW	1310	45	1214	1048	898	900	1679	1474	1270

Model	P	R	S	S1	S2	S3	S4	S5	S6
NIMUS 1252 T6 75kW	1310	45	1214	1048	898	900	1679	1474	1270
NIMUS 1401 T6 90kW	1450	55	1325	1136	990	1000	1863	1635	1395
NIMUS 1402 T6 110kW	1450	55	1325	1136	990	1000	1863	1635	1395

Model	S7	T	U	W	X	X1	X2	X3	X4
NIMUS 1121 T6 30kW	1037	55	1441	926	932	800	1498	1319	1132
NIMUS 1122 T6 37kW	1037	55	1501	926	932	800	1498	1319	1132
NIMUS 1251 T6 55kW	1163	55	1688	1023	1048	900	1679	1474	1270
NIMUS 1252 T6 75kW	1163	55	1798	1023	1048	900	1679	1474	1270
NIMUS 1401 T6 90kW	1272	85	1937	1152	1136	1000	1863	1635	1395
NIMUS 1402 T6 110kW	1272	85	1937	1152	1136	1000	1863	1635	1395

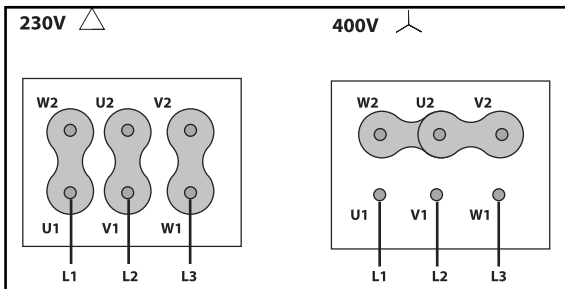
Model	X5	X6	X7	a	a1	a2	b	b1	b2
NIMUS 1121 T6 30kW	1084	1037	793	1130	1210	1270	801	881	941
NIMUS 1122 T6 37kW	1084	1037	793	1130	1210	1270	801	881	941
NIMUS 1251 T6 55kW	1214	1163	898	1267	1347	1407	898	978	1038
NIMUS 1252 T6 75kW	1214	1163	898	1267	1347	1407	898	978	1038
NIMUS 1401 T6 90kW	1325	1272	990	1421	1501	1561	1007	1087	1147
NIMUS 1402 T6 110kW	1325	1272	990	1421	1501	1561	1007	1087	1147

Model	d	d1	d2	n1xp	n2xp	Ø3
NIMUS 1121 T6 30kW	1130	1200	1250	3x200	5x200	24
NIMUS 1122 T6 37kW	1130	1200	1250	3x200	5x200	24
NIMUS 1251 T6 55kW	1260	1337	1380	4x200	6x200	24
NIMUS 1252 T6 75kW	1260	1337	1380	4x200	6x200	24
NIMUS 1401 T6 90kW	1420	1491	1540	4x200	6x200	24
NIMUS 1402 T6 110kW	1420	1491	1540	4x200	6x200	24

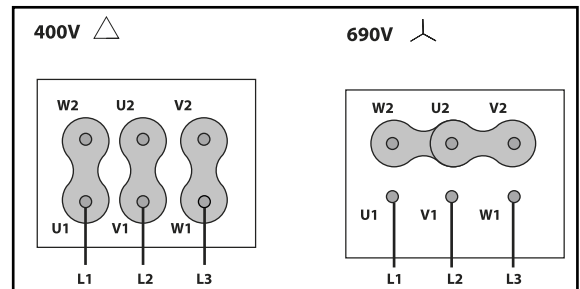
Wiring diagram

DIAGRAM Nº 1

230/400V



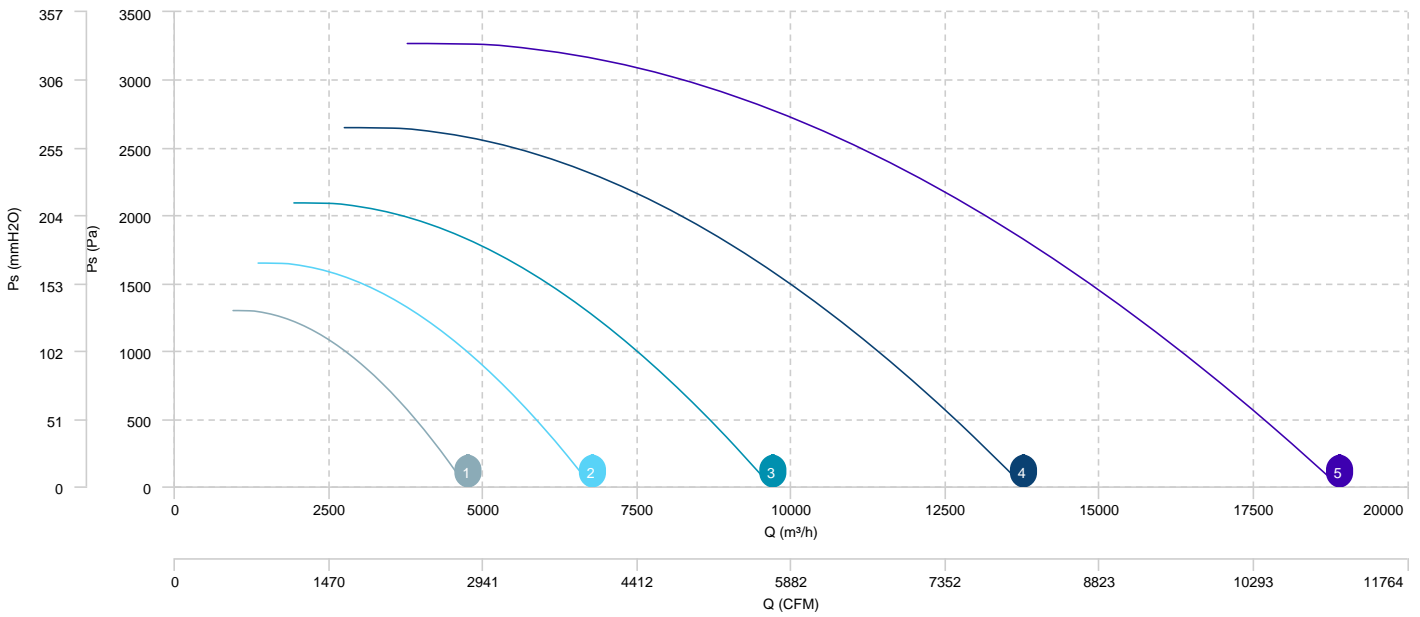
400/690V



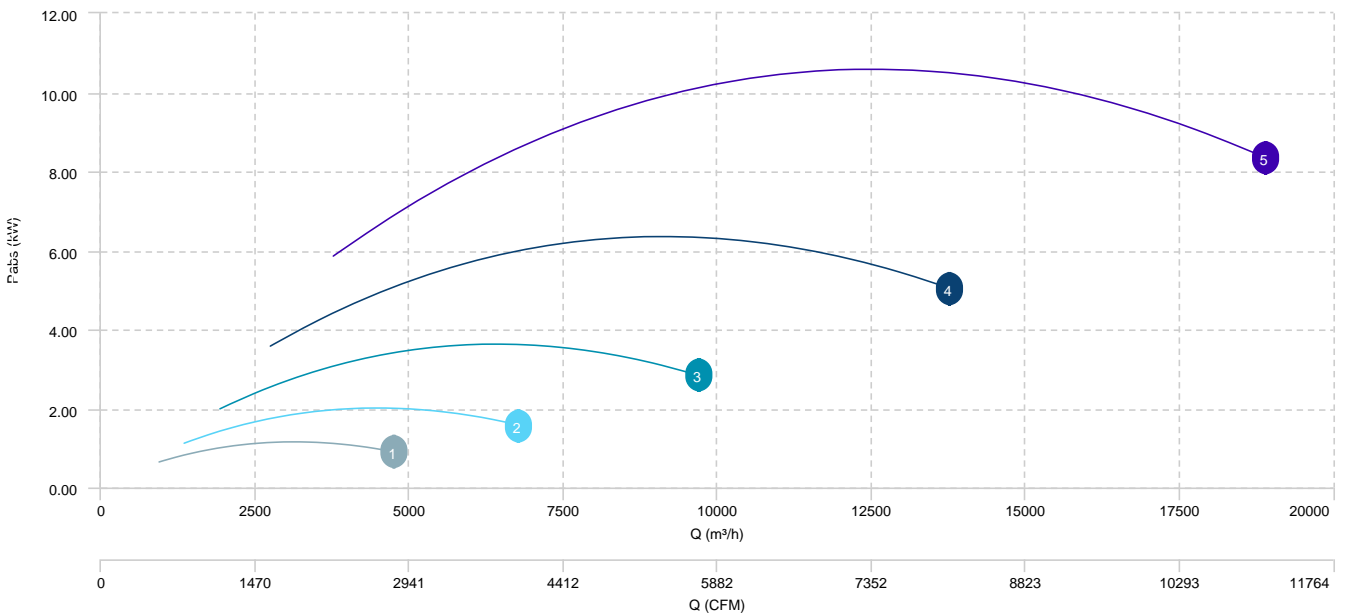
CHARACTERISTIC CURVE

- 1 NIMUS 311 T2 1,1kW
- 2 NIMUS 351 T2 2,2kW
- 3 NIMUS 401 T2 3kW
- 4 NIMUS 451 T2 7,5kW
- 5 NIMUS 501 T2 11kW

AIR FLOW - PRESSURE

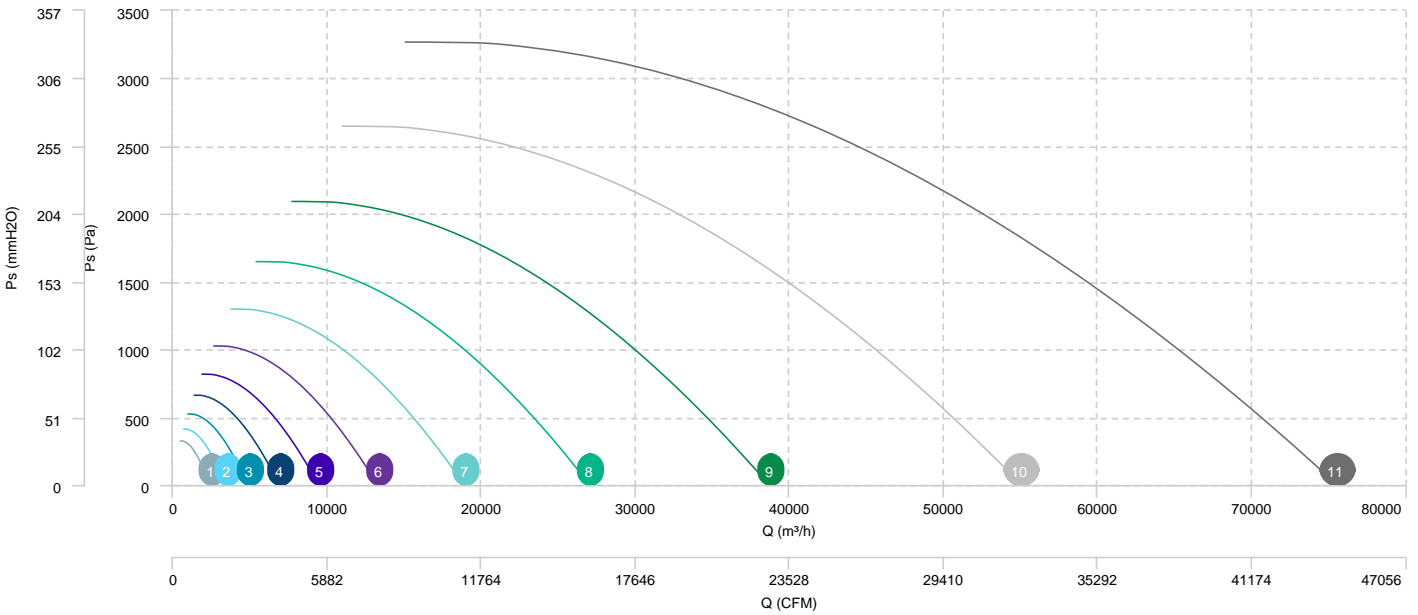


AIR FLOW - ABSORBED POWER

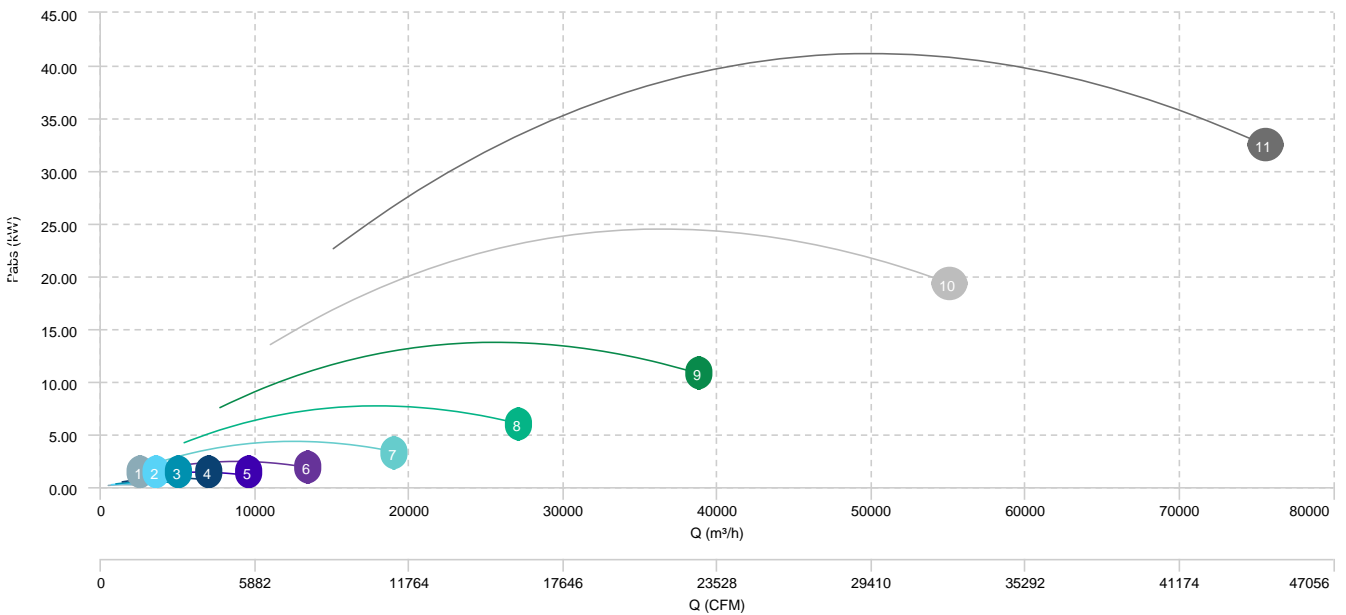


1	NIMUS 311 T4 0,37kW	2	NIMUS 351 T4 0,37kW	3	NIMUS 401 T4 0,55kW	4	NIMUS 451 T4 0,75kW
5	NIMUS 501 T4 1,5kW	6	NIMUS 561 T4 2,2kW	7	NIMUS 631 T4 4kW	8	NIMUS 711 T4 7,5kW
9	NIMUS 801 T4 15kW	10	NIMUS 901 T4 30kW	11	NIMUS 1001 T4 45kW		

AIR FLOW - PRESSURE

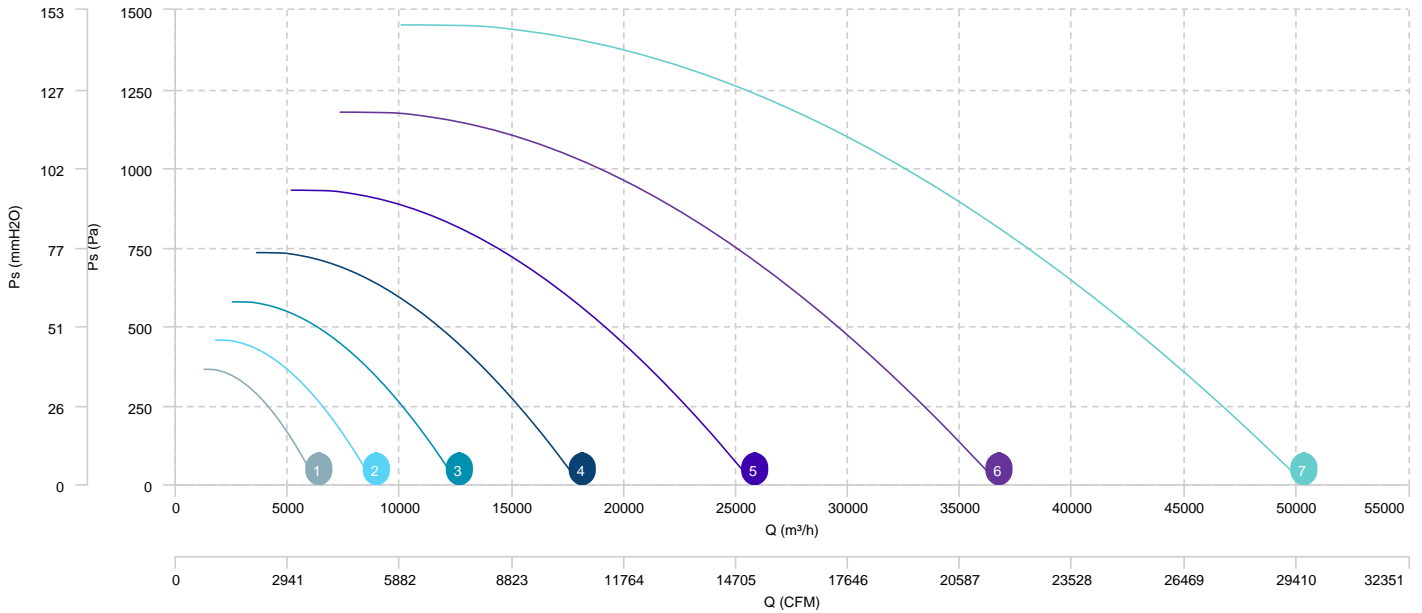


AIR FLOW - ABSORBED POWER

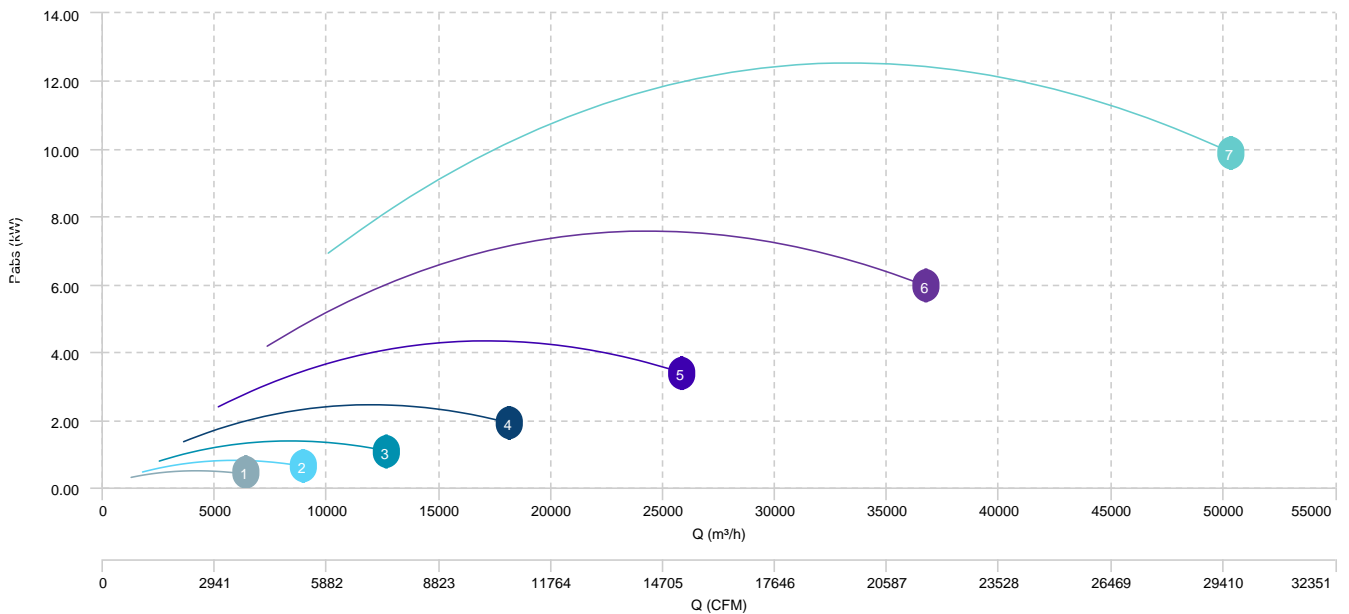


1	NIMUS 501 T6 0,37kW	2	NIMUS 561 T6 0,75kW	3	NIMUS 631 T6 1,5kW	4	NIMUS 711 T6 2,2kW
5	NIMUS 801 T6 4kW	6	NIMUS 901 T6 7,5kW	7	NIMUS 1001 T6 15kW		

AIR FLOW - PRESSURE

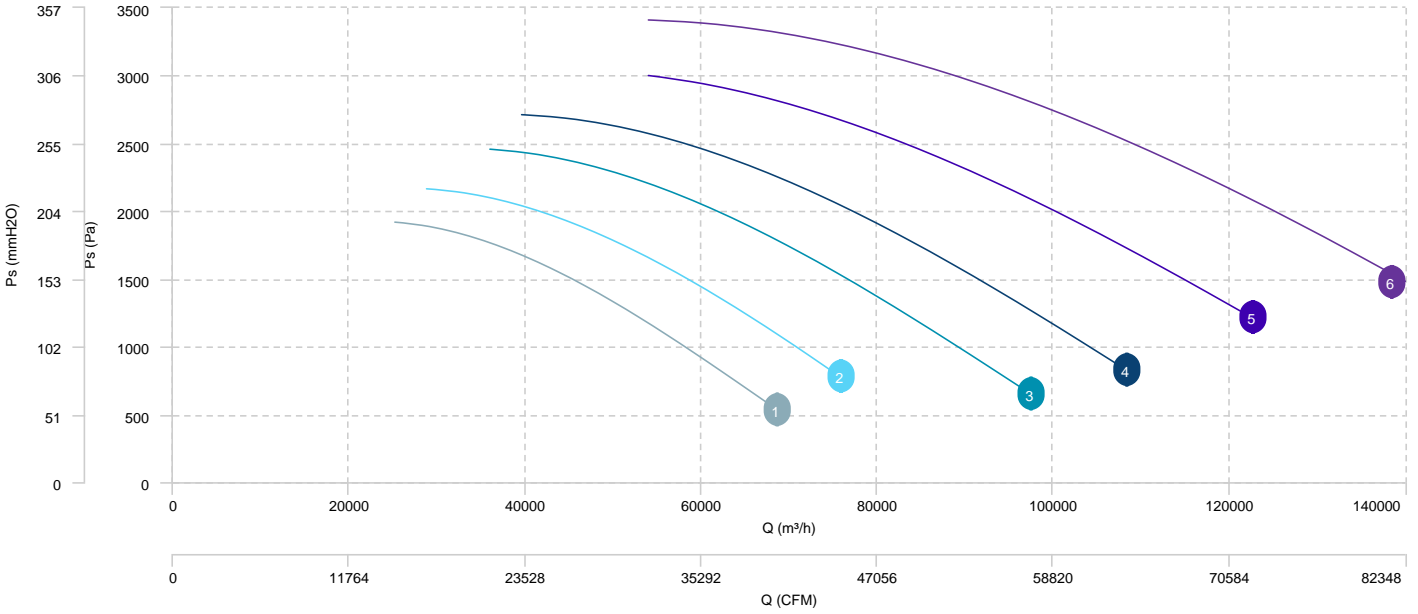


AIR FLOW - ABSORBED POWER

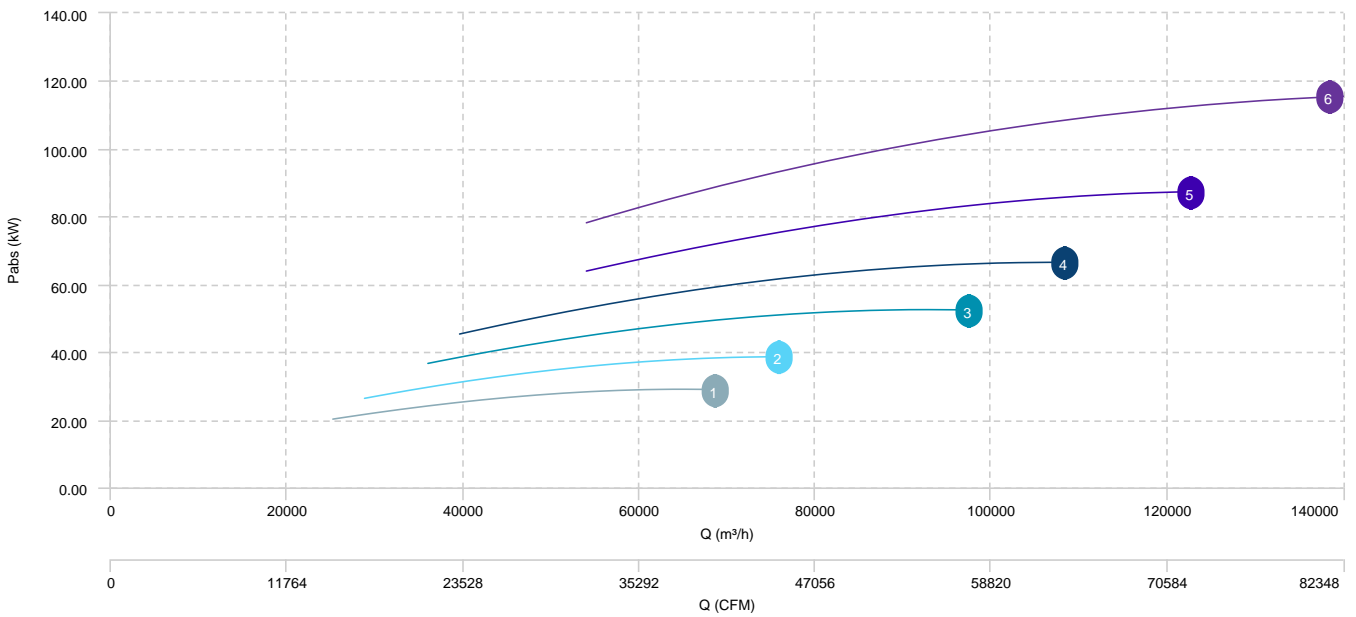


1	NIMUS 1121 T6 30kW	2	NIMUS 1122 T6 37kW	3	NIMUS 1251 T6 55kW	4	NIMUS 1252 T6 75kW
5	NIMUS 1401 T6 90kW	6	NIMUS 1402 T6 110kW				

AIR FLOW - PRESSURE



AIR FLOW - ABSORBED POWER



Sound data

Sound / 2 poles

Sound power Lw dB (A)										
Model		63 Hz	125 Hz	250 Hz	500 Hz	1000 Hz	2000 Hz	4000 Hz	8000 Hz	Total
NIMUS 311 T2 1,1kW	Inlet	80	78	75	73	71	68	65	62	84
NIMUS 351 T2 2,2kW	Inlet	84	82	79	77	75	72	69	66	88
NIMUS 401 T2 3kW	Inlet	88	86	83	81	79	76	73	70	92
NIMUS 451 T2 7,5kW	Inlet	91	89	86	84	82	79	76	73	95
NIMUS 501 T2 11kW	Inlet	95	93	90	88	86	83	80	77	99

Sound / 4 poles

Sound power Lw dB (A)										
Model		63 Hz	125 Hz	250 Hz	500 Hz	1000 Hz	2000 Hz	4000 Hz	8000 Hz	Total
NIMUS 311 T4 0,37kW	Inlet	65	63	60	58	56	53	50	47	69
NIMUS 351 T4 0,37kW	Inlet	69	67	64	62	60	57	54	51	73
NIMUS 401 T4 0,55kW	Inlet	73	71	68	66	64	61	58	55	77
NIMUS 451 T4 0,75kW	Inlet	76	74	71	69	67	64	61	58	80
NIMUS 501 T4 1,5kW	Inlet	79	77	74	72	70	67	64	61	83
NIMUS 561 T4 2,2kW	Inlet	83	81	78	76	74	71	68	65	87
NIMUS 631 T4 4kW	Inlet	87	85	82	80	78	75	72	69	91
NIMUS 711 T4 7,5kW	Inlet	90	88	85	83	81	78	75	72	94
NIMUS 801 T4 15kW	Inlet	94	92	89	87	85	82	79	76	98
NIMUS 901 T4 30kW	Inlet	97	95	92	90	88	85	82	79	101
NIMUS 1001 T4 45kW	Inlet	101	99	96	94	92	89	86	83	105

Sound / 6 poles

Sound power Lw dB (A)										
Model		63 Hz	125 Hz	250 Hz	500 Hz	1000 Hz	2000 Hz	4000 Hz	8000 Hz	Total
NIMUS 501 T6 0,37kW	Inlet	71	69	66	64	62	59	56	53	75
NIMUS 561 T6 0,75kW	Inlet	74	72	69	67	65	62	59	56	78
NIMUS 631 T6 1,5kW	Inlet	78	76	73	71	69	66	63	60	82
NIMUS 711 T6 2,2kW	Inlet	81	79	76	74	72	69	66	63	85
NIMUS 801 T6 4kW	Inlet	85	83	80	78	76	73	70	67	89
NIMUS 901 T6 7,5kW	Inlet	89	87	84	82	80	77	74	71	93
NIMUS 1001 T6 15kW	Inlet	92	90	87	85	83	80	77	74	96
NIMUS 1121 T6 30kW	Inlet	69	81	87	91	92	88	81	78	97

Sound power Lw dB (A)										
Model		63 Hz	125 Hz	250 Hz	500 Hz	1000 Hz	2000 Hz	4000 Hz	8000 Hz	Total
NIMUS 1122 T6 37kW	Inlet	65	77	84	88	89	84	77	74	93
NIMUS 1251 T6 55kW	Inlet	72	84	91	95	96	91	85	82	100
NIMUS 1252 T6 75kW	Inlet	74	86	92	97	97	93	86	83	102
NIMUS 1401 T6 90kW	Inlet	75	87	94	98	99	94	88	85	103
NIMUS 1402 T6 110kW	Inlet	76	88	94	98	99	95	88	85	103

erp data

ERP	
Fan type	Centrifugal fan backward blades with casing
Installation category	A
Efficiency category	Static
The fan has to be installed with FSC	No

ERP / 2 poles

Model	Motor power (kW)	Maximum efficiency point data						
		Max. efficiency (%)	Efficiency grade (N) (N)	Air Flow (m³/h)	Ps (Pa)	Pabs (kW)	speed (rpm)	Specific ratio
NIMUS 311 T2 1,1kW	1,10	68,38	78,31	2.660,64	1.031,42	1,13	2800	1,01
NIMUS 351 T2 2,2kW	2,20	71,36	78,76	3.808,63	1.309,93	1,97	2840	1,01
NIMUS 401 T2 3kW	3	71,87	76,59	5.437,60	1.665,80	3,55	2880	1,02
NIMUS 451 T2 7,5kW	7,50	73,90	76,05	7.774,45	2.100,98	6,23	2910	1,02
NIMUS 501 T2 11kW	11	75,11	75,14	10.645,44	2.597,70	10,38	2940	1,03

ERP / 4 poles

Model	Motor power (kW)	Maximum efficiency point data						
		Max. efficiency (%)	Efficiency grade (N) (N)	Air Flow (m³/h)	Ps (Pa)	Pabs (kW)	speed (rpm)	Specific ratio
NIMUS 311 T4 0,37kW	0,37	44,86	62,35	1.359,99	252,98	0,22	1370	1,00
NIMUS 351 T4 0,37kW	0,37	53,17	68,71	1.936,93	322,75	0,33	1370	1,00
NIMUS 401 T4 0,55kW	0,55	65,22	78,97	2.741,55	413,55	0,49	1440	1,00
NIMUS 451 T4 0,75kW	0,75	67,90	79,15	3.877,89	526,30	0,85	1410	1,01
NIMUS 501 T4 1,5kW	1,50	70,53	79,55	5.325,57	649,13	1,38	1450	1,01
NIMUS 561 T4 2,2kW	2,20	72,35	78,91	7.428,79	819,09	2,37	1435	1,01
NIMUS 631 T4 4kW	4	72,94	76,85	10.619,52	1.033,28	4,24	1440	1,01
NIMUS 711 T4 7,5kW	7,50	74,57	75,86	15.211,03	1.311,61	7,54	1455	1,01
NIMUS 801 T4 15kW	15	75,91	75,65	21.786,53	1.663,50	13,46	1465	1,02
NIMUS 901 T4 30kW	30	76,68	75,79	31.062,03	2.103,01	24,01	1475	1,02
NIMUS 1001 T4 45kW	45	77,29	75,82	42.594,89	2.597,03	40,35	1475	1,03

ERP / 6 poles

Model	Motor power (kW)	Maximum efficiency point data						
		Max. efficiency (%)	Efficiency grade (N) (N)	Air Flow (m ³ /h)	Ps (Pa)	Pabs (kW)	speed (rpm)	Specific ratio
NIMUS 501 T6 0,37kW	0,37	59,79	73,60	3.580,66	286,43	0,48	900	1,00
NIMUS 561 T6 0,75kW	0,75	64,96	76,57	4.990,44	361,75	0,78	925	1,00
NIMUS 631 T6 1,5kW	1,50	68,18	77,33	7.106,14	457,81	1,35	940	1,00
NIMUS 711 T6 2,2kW	2,20	69,72	76,25	10.143,37	582,81	2,39	965	1,01
NIMUS 801 T6 4kW	4	71,44	75,36	14.500,97	740,32	4,24	960	1,01
NIMUS 901 T6 7,5kW	7,50	73,56	74,92	20.669,91	936,11	7,42	965	1,01
NIMUS 1001 T6 15kW	15	75,20	75,04	28.382,31	1.154,72	12,29	970	1,01
NIMUS 1121 T6 30kW	30	73,55	72,63	37.607,50	1.728,89	24,55	985	1,00
NIMUS 1122 T6 37kW	37	72,80	71,57	43.820,47	1.950,99	32,62	985	1,00
NIMUS 1251 T6 55kW	55	73,95	72,37	53.476,68	2.217,58	44,54	985	1,00
NIMUS 1252 T6 75kW	75	73,68	71,85	60.919,41	2.442,71	56,10	990	1,00
NIMUS 1401 T6 90kW	90	74,91	72,77	72.987,64	2.733,41	73,97	990	1,00
NIMUS 1402 T6 110kW	110	73,91	71,46	86.344,61	3.051,21	99,03	990	1,00