

MBRM ATEX



ATEX MEDIUM PRESSURE WITH BACKWARD IMPELLER

MANUFACTURING FEATURES:

- Fan made of Fe360 sheet. The fan paint finish is based on a Qualicoat polyester powder coating stoved at 200°C, with an average film thickness of 70 microns. Average heat resistance of coating is 180°C with peaks of 200°C.
- High efficiency simple inlet backward impeller with self-cleaning system made of Fe360 sheet statically and dynamically balanced. Impellers are painted with polyester primer that resists temperatures up to 300°C.
- ATEX standard asynchronous motor. ATEX certified according to the zone. Class F insulation. Manufactured with standard voltages: 230/400V 50Hz for three phase motors up to 4kW and 400/690V 50Hz for higher powers.
- Available positions (to be indicated in case of order): LG270, LG0, LG45, LG90, LG135, LG180, LG225, LG315, RD0, RD45, RD90, RD135, RD180, RD225, RD270, RD315.
- The indicated codes correspond to the model in position LG270

APPLICATIONS:

Designed for inline installation, they are suitable for:

- Industrial applications, extraction or injection of air.
- Cooling of machines and parts.
- Clean and slightly dusty air transport.
- Dusty air and small loads of pellet materials transport.
- Exhaust after filters, separators and cyclones.
- Pneumatic transport.
- Working temperature: ambient from -20°C to 40°C, transported air according to the ATEX classification

UNDER REQUEST

- Fans for 60Hz and special voltages.
- Inox 304 (normal or electropolished finish)
- Inox 316 (normal or electropolished finish)
- Split casing (for big sizes)
- Drain plug.
- Frontal foot

Accessories



AB



AC



AVR



AVS



BA-400



BADS
ATEX



BIDS
ATEX



EI



FS



INT
ATEX



JE 45



RI



SFC

Technical data

Three-phase motor / 2 poles

Code	Model	R.P.M.	Rated I. A 400V	Rated power kW	Max. Airflow m ³ /h	Sound db (A)**	Weight kg	Connect. diagram
501802515XN	MBRM 252 T2 0,37kW ATEX	2850	1,00	0,37	1.380	50	26	1
501802816XN	MBRM 281 T2 0,55kW ATEX	2840	1,45	0,55	1.630	52	30	1
501802817XN	MBRM 282 T2 0,75kW ATEX	2870	2,00	0,75	1.810	54	35	1
501803118XN	MBRM 311 T2 1,1kW ATEX	2830	2,6	1,10	2.530	56	42	1
501803119XN	MBRM 312 T2 1,5kW ATEX	2850	3,95	1,50	2.530	57	45	1
501803519XN	MBRM 351 T2 1,5kW ATEX	2850	3,95	1,50	2.170	54	66	1
501803527XN	MBRM 352 T2 2,2kW ATEX	2840	5,4	2,20	3.970	59	70	1
501804029XN	MBRM 401 T2 3kW ATEX	2900	7,3	3,00	5.410	63	85	1
501804032XN	MBRM 402 T2 4kW ATEX	2910	9,2	4,00	6.130	63	93	1
501804534XN	MBRM 451 T2 5,5kW ATEX	2910	11,46	5,50	7.930	66	115	1
501804536XN	MBRM 452 T2 7,5kW ATEX	2910	14,1	7,50	7.930	66	118	1
501805021XN	MBRM 501 T2 11kW ATEX	2940	21,4	11,00	10.810	69	175	1
501805024XN	MBRM 502 T2 15kW ATEX	2935	27,4	15,00	10.810	70	180	1
501805626XN	MBRM 561 T2 18,5kW ATEX	2940	34,4	18,50	16.210	72	220	1
501805628XN	MBRM 562 T2 22kW ATEX	2940	39,8	22,00	16.210	72	276	1

Three-phase motor / 4 poles

Code	Model	R.P.M.	Rated I. A 400V	Rated power kW	Max. Airflow m ³ /h	Sound db (A)**	Weight kg	Connect. diagram
501805045XN	MBRM 503 T4 1,1kW ATEX	1420	3,3	1,10	4.690	55	100	1
501805046XN	MBRM 504 T4 1,5kW ATEX	1415	3,8	1,50	5.410	56	106	1
501805654XN	MBRM 563 T4 2,2kW ATEX	1440	5,8	2,20	7.210	58	128	1
501805656XN	MBRM 564 T4 3kW ATEX	1420	6,8	3,00	7.930	59	136	1
501806359XN	MBRM 631 T4 4kW ATEX	1450	9,1	4,00	10.090	61	190	1
501806361XN	MBRM 632 T4 5,5kW ATEX	1455	11,5	5,50	10.810	63	205	1
501807163XN	MBRM 711 T4 7,5kW ATEX	1448	15,6	7,50	14.410	64	287	1
501807149XN	MBRM 712 T4 11kW ATEX	1460	20,9	11,00	18.010	65	338	1
501808052XN	MBRM 801 T4 15kW ATEX	1465	29,8	15,00	21.610	67	504	1
501808053XN	MBRM 802 T4 18,5kW ATEX	1470	35,6	18,50	25.210	68	512	1
501809057XN	MBRM 901 T4 30kW ATEX	1475	56,3	30,00	32.410	70	684	1
501809058XN	MBRM 902 T4 37kW ATEX	1470	69,2	37,00	32.410	71	767	1
501810060XN	MBRM 1001 T4 45kW ATEX	1475	80,7	45,00	43.210	72	963	1
501810062XN	MBRM 1002 T4 55kW ATEX	1475	97,1	55,00	46.810	74	1081	1

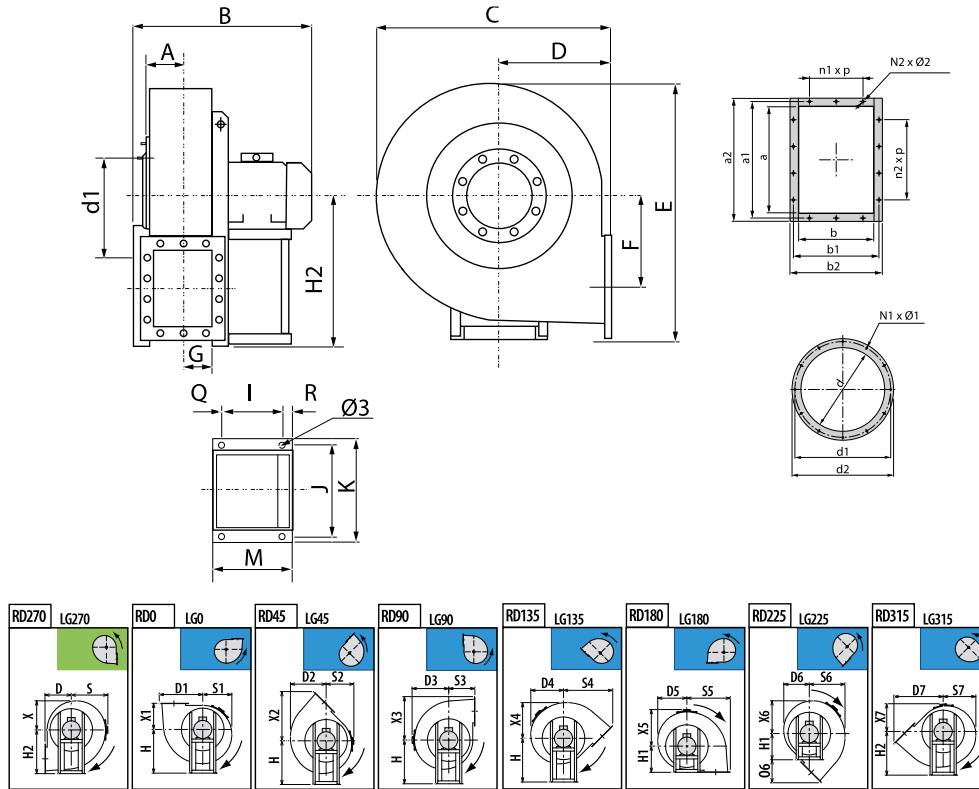
Three-phase motor / 6 poles

Code	Model	R.P.M.	Rated I. A		Rated power kW	Max. Airflow m ³ /h	Sound db (A)**	Weight kg	Connect. diagram
			230V	400V					
501808083XN	MBRM 803 T6 4kW ATEX	960	16,5	9,46	4,00	14.410	59	391	1
501808085XN	MBRM 804 T6 5,5kW ATEX	960	-	12,8	5,50	16.210	60	395	1
501809087XN	MBRM 903 T6 7,5kW ATEX	965	-	15,2	7,50	21.610	62	511	1
501809075XN	MBRM 904 T6 11kW ATEX	965	-	22,6	11,00	21.610	64	531	1
501810076XN	MBRM 1003 T6 15kW ATEX	970	-	27,7	15,00	28.810	65	743	1
501810077XN	MBRM 1004 T6 18,5kW ATEX	975	-	35,7	18,50	32.410	66	850	1

Notes:

** Total sound pressure level at the point of maximum flow measured in dB(A) in the suction measured in free field at a distance of 6m from the source

Dimensions



Model	A	B	C	D	D1	D2	D3	D4	D5
MBRM 252 T2 0,37kW ATEX	86	400	441	195	314	255	276	235	212
MBRM 281 T2 0,55kW ATEX	95	420	477	200	353	287	305	262	231
MBRM 282 T2 0,75kW ATEX	95	440	477	200	353	287	305	262	231
MBRM 311 T2 1,1kW ATEX	105	460	527	225	393	316	332	288	256
MBRM 312 T2 1,5kW ATEX	105	480	527	225	393	316	332	288	256
MBRM 351 T2 1,5kW ATEX	115	500	600	255	437	359	375	325	288
MBRM 352 T2 2,2kW ATEX	115	530	600	255	437	359	375	325	288
MBRM 401 T2 3kW ATEX	127	590	655	285	487	387	400	353	311
MBRM 402 T2 4kW ATEX	127	630	655	285	487	387	400	353	311
MBRM 451 T2 5,5kW ATEX	141	670	735	320	542	435	445	398	354
MBRM 452 T2 7,5kW ATEX	141	670	735	320	542	435	445	398	354
MBRM 501 T2 11kW ATEX	157	830	832	360	597	490	502	450	400
MBRM 502 T2 15kW ATEX	157	830	832	360	597	490	502	450	400
MBRM 503 T4 1,1kW ATEX	157	580	832	360	597	490	502	450	400
MBRM 504 T4 1,5kW ATEX	157	615	832	360	597	490	502	450	400

Model	D6	D7	E	F	G	H	H1	H2	I
MBRM 252 T2 0,37kW ATEX	215	360	526	175	76	315	195	315	121

Model	D6	D7	E	F	G	H	H1	H2	I
MBRM 281 T2 0,55kW ATEX	226	391	610	202	86	375	200	375	121
MBRM 282 T2 0,75kW ATEX	226	391	610	202	86	375	200	375	121
MBRM 311 T2 1,1kW ATEX	253	437	658	229	96	400	225	400	121
MBRM 312 T2 1,5kW ATEX	253	437	658	229	96	400	225	400	133
MBRM 351 T2 1,5kW ATEX	278	489	740	253	107	450	255	450	133
MBRM 352 T2 2,2kW ATEX	278	489	740	253	107	450	255	450	133
MBRM 401 T2 3kW ATEX	306	546	815	286	118	500	285	500	197
MBRM 402 T2 4kW ATEX	306	546	815	286	118	500	285	500	197
MBRM 451 T2 5,5kW ATEX	342	609	915	321	131	560	320	560	237
MBRM 452 T2 7,5kW ATEX	342	609	915	321	131	560	320	560	237
MBRM 501 T2 11kW ATEX	380	677	1000	355	148	600	360	600	337
MBRM 502 T2 15kW ATEX	380	677	1000	355	148	600	360	600	337
MBRM 503 T4 1,1kW ATEX	380	677	1000	355	148	600	360	600	133
MBRM 504 T4 1,5kW ATEX	380	677	1000	355	148	600	360	600	133

Model	J	K	M	N1xØ1	N2xØ2	O6	Q	R	S
MBRM 252 T2 0,37kW ATEX	203	225	180	Nº8 M6x20	8x12	165	45	23	276
MBRM 281 T2 0,55kW ATEX	203	225	189	Nº8 M6x20	8x12	191	45	23	305
MBRM 282 T2 0,75kW ATEX	203	225	211	Nº8 M6x20	8x12	191	45	45	305
MBRM 311 T2 1,1kW ATEX	203	225	211	Nº8 M6x20	10x12	212	45	45	332
MBRM 312 T2 1,5kW ATEX	234	260	246	Nº8 M6x20	10x12	212	55	58	332
MBRM 351 T2 1,5kW ATEX	234	260	246	Nº8 M8x25	10x12	234	55	58	375
MBRM 352 T2 2,2kW ATEX	234	260	246	Nº8 M8x25	10x12	234	55	58	375
MBRM 401 T2 3kW ATEX	289	324	276	Nº8 M8x25	10x12	261	30	49	400
MBRM 402 T2 4kW ATEX	289	324	276	Nº8 M8x25	10x12	261	30	49	400
MBRM 451 T2 5,5kW ATEX	337	372	336	Nº8 M8x25	10x12	289	40	59	445
MBRM 452 T2 7,5kW ATEX	337	372	336	Nº8 M8x25	10x12	289	40	59	445
MBRM 501 T2 11kW ATEX	395	440	436	Nº8 M8x25	14x12	317	50	49	502
MBRM 502 T2 15kW ATEX	395	440	436	Nº8 M8x25	14x12	317	50	49	502
MBRM 503 T4 1,1kW ATEX	234	260	246	Nº8 M8x25	14x12	317	55	58	502

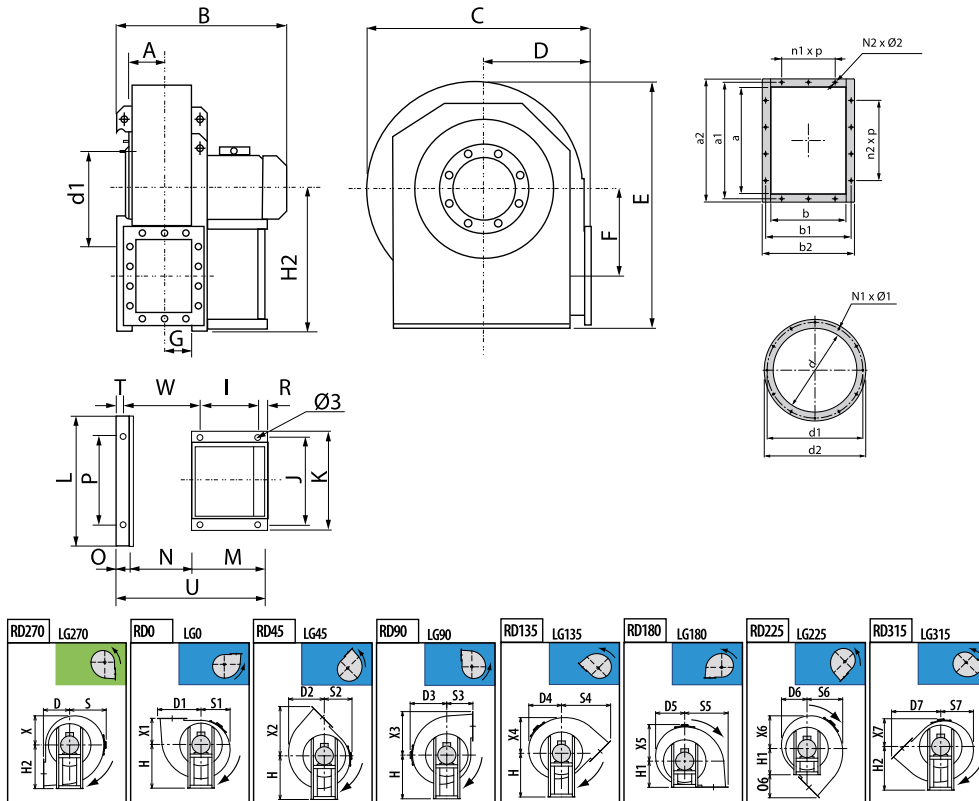
Model	J	K	M	N1xØ1	N2xØ2	O6	Q	R	S
MBRM 504 T4 1,5kW ATEX	234	260	246	N ^{ø8} M8x25	14x12	317	55	58	502

Model	S1	S2	S3	S4	S5	S6	S7	X	X1
MBRM 252 T2 0,37kW ATEX	212	215	195	360	314	255	235	212	195
MBRM 281 T2 0,55kW ATEX	231	226	200	391	353	287	262	231	200
MBRM 282 T2 0,75kW ATEX	231	226	200	391	353	287	262	231	200
MBRM 311 T2 1,1kW ATEX	256	253	225	437	393	316	288	256	225
MBRM 312 T2 1,5kW ATEX	256	253	225	437	393	316	288	256	225
MBRM 351 T2 1,5kW ATEX	288	278	255	489	437	359	325	288	255
MBRM 352 T2 2,2kW ATEX	288	278	255	489	437	359	325	288	255
MBRM 401 T2 3kW ATEX	311	306	285	543	487	387	353	311	285
MBRM 402 T2 4kW ATEX	311	306	285	543	487	387	353	311	285
MBRM 451 T2 5,5kW ATEX	354	342	320	609	542	435	398	354	320
MBRM 452 T2 7,5kW ATEX	354	342	320	609	542	435	398	354	320
MBRM 501 T2 11kW ATEX	400	380	360	676	597	490	450	400	360
MBRM 502 T2 15kW ATEX	400	380	360	676	597	490	450	400	360
MBRM 503 T4 1,1kW ATEX	400	380	360	676	597	490	450	400	360
MBRM 504 T4 1,5kW ATEX	400	380	360	676	597	490	450	400	360

Model	X2	X3	X4	X5	X6	X7	a	a1	a2
MBRM 252 T2 0,37kW ATEX	360	314	255	276	235	215	207	241	277
MBRM 281 T2 0,55kW ATEX	391	353	287	305	262	226	231	265	301
MBRM 282 T2 0,75kW ATEX	391	353	287	305	262	226	231	265	301
MBRM 311 T2 1,1kW ATEX	437	393	316	332	288	253	258	292	328
MBRM 312 T2 1,5kW ATEX	437	393	316	332	288	253	258	292	328
MBRM 351 T2 1,5kW ATEX	489	437	359	375	325	278	288	332	368
MBRM 352 T2 2,2kW ATEX	489	437	359	375	325	278	288	332	368
MBRM 401 T2 3kW ATEX	543	487	387	400	353	306	322	366	402
MBRM 402 T2 4kW ATEX	543	487	387	400	353	306	322	366	402
MBRM 451 T2 5,5kW ATEX	609	542	435	445	398	342	361	405	441
MBRM 452 T2 7,5kW ATEX	609	542	435	445	398	342	361	405	441
MBRM 501 T2 11kW ATEX	677	597	490	502	450	380	404	448	484
MBRM 502 T2 15kW ATEX	677	597	490	502	450	380	404	448	484
MBRM 503 T4 1,1kW ATEX	677	597	490	502	450	380	404	448	484
MBRM 504 T4 1,5kW ATEX	677	597	490	502	450	380	404	448	484

Model	b	b1	b2	d	d1	d2	n1xp	n2xp	Ø3
MBRM 252 T2 0,37kW ATEX	148	182	218	185	219	255	1x112	1x112	10
MBRM 281 T2 0,55kW ATEX	166	200	236	205	241	275	1x112	1x112	10
MBRM 282 T2 0,75kW ATEX	166	200	236	205	241	275	1x112	1x112	10

Model	b	b1	b2	d	d1	d2	n1xp	n2xp	Ø3
MBRM 311 T2 1,1kW ATEX	185	219	255	228	265	298	1x112	2x112	10
MBRM 312 T2 1,5kW ATEX	185	219	255	228	265	298	1x112	2x112	10
MBRM 351 T2 1,5kW ATEX	205	249	285	255	292	325	1x125	2x125	10
MBRM 352 T2 2,2kW ATEX	205	249	285	255	292	325	1x125	2x125	10
MBRM 401 T2 3kW ATEX	229	273	309	285	332	365	1x125	2x125	12
MBRM 402 T2 4kW ATEX	229	273	309	285	332	365	1x125	2x125	12
MBRM 451 T2 5,5kW ATEX	256	300	336	320	366	400	1x125	2x125	12
MBRM 452 T2 7,5kW ATEX	256	300	336	320	366	400	1x125	2x125	12
MBRM 501 T2 11kW ATEX	288	332	368	360	405	440	2x125	3x125	14
MBRM 502 T2 15kW ATEX	288	332	368	360	405	440	2x125	3x125	14
MBRM 503 T4 1,1kW ATEX	288	332	368	360	405	440	2x125	3x125	10
MBRM 504 T4 1,5kW ATEX	288	332	368	360	405	440	2x125	3x125	10



Model	A	B	C	D	D1	D2	D3	D4	D5
MBRM 561 T2 18,5kW ATEX	177	880	940	400	657	555	570	542	485
MBRM 562 T2 22kW ATEX	177	935	940	400	657	555	570	542	485
MBRM 563 T4 2,2kW ATEX	177	705	940	400	657	555	570	542	485
MBRM 564 T4 3kW ATEX	177	705	940	400	657	555	570	542	485

Model	A	B	C	D	D1	D2	D3	D4	D5
MBRM 631 T4 4kW ATEX	195	775	1052	450	733	619	630	603	550
MBRM 632 T4 5,5kW ATEX	195	815	1052	450	733	619	630	603	550

Model	D6	D7	E	F	G	H	H1	H2	I
MBRM 561 T2 18,5kW ATEX	425	747	1126	390	165	670	400	670	337
MBRM 562 T2 22kW ATEX	425	747	1126	390	165	670	400	670	357
MBRM 563 T4 2,2kW ATEX	425	747	1126	390	165	670	400	670	197
MBRM 564 T4 3kW ATEX	425	747	1126	390	165	670	400	670	197
MBRM 631 T4 4kW ATEX	476	836	1260	439	185	750	450	750	197
MBRM 632 T4 5,5kW ATEX	476	836	1260	439	185	750	450	750	237

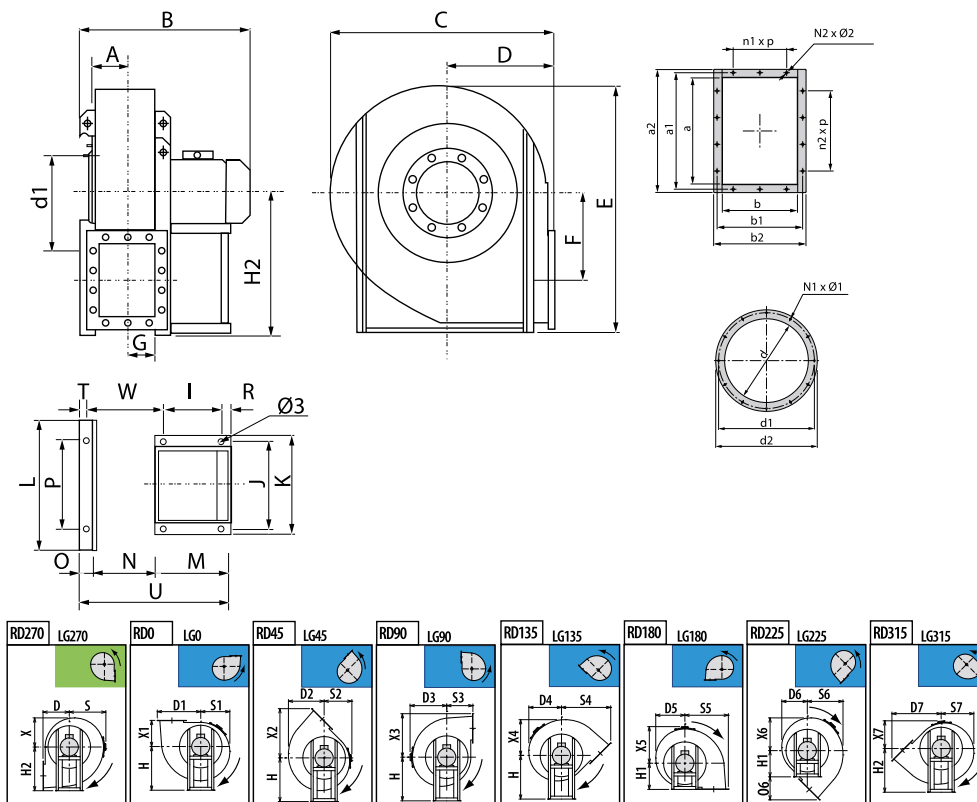
Model	J	K	L	M	N	N1xØ1	N2xØ2	O	O6
MBRM 561 T2 18,5kW ATEX	395	440	692	436	326	Nº12 M8x25	14x12	53	347
MBRM 562 T2 22kW ATEX	434	488	692	460	326	Nº12 M8x25	14x12	53	347
MBRM 563 T4 2,2kW ATEX	289	324	692	276	326	Nº12 M8x25	14x12	53	347
MBRM 564 T4 3kW ATEX	289	324	692	276	326	Nº12 M8x25	14x12	53	347
MBRM 631 T4 4kW ATEX	289	324	762	276	365	Nº12 M8x25	14x12	53	386
MBRM 632 T4 5,5kW ATEX	337	372	762	336	365	Nº12 M8x25	14x12	53	386

Model	P	R	S	S1	S2	S3	S4	S5	S6
MBRM 561 T2 18,5kW ATEX	632	49	570	485	425	400	747	667	555
MBRM 562 T2 22kW ATEX	632	33	570	485	425	400	747	667	555
MBRM 563 T4 2,2kW ATEX	632	49	570	485	425	400	747	667	555
MBRM 564 T4 3kW ATEX	632	49	570	485	425	400	747	667	555
MBRM 631 T4 4kW ATEX	702	49	630	550	476	450	836	733	619
MBRM 632 T4 5,5kW ATEX	702	59	630	550	476	450	836	733	619

Model	S7	T	U	W	X	X1	X2	X3	X4
MBRM 561 T2 18,5kW ATEX	542	23	815	406	485	400	747	657	555
MBRM 562 T2 22kW ATEX	542	23	839	426	485	400	747	657	555
MBRM 563 T4 2,2kW ATEX	542	23	655	386	485	400	747	657	555
MBRM 564 T4 3kW ATEX	542	23	655	386	485	400	747	657	555
MBRM 631 T4 4kW ATEX	603	23	694	425	550	450	836	733	619
MBRM 632 T4 5,5kW ATEX	603	23	754	435	550	450	836	733	619

Model	X5	X6	X7	a	a1	a2	b	b1	b2
MBRM 561 T2 18,5kW ATEX	570	542	425	453	497	533	322	366	402
MBRM 562 T2 22kW ATEX	570	542	425	453	497	533	322	366	402
MBRM 563 T4 2,2kW ATEX	570	542	425	453	497	533	322	366	402
MBRM 564 T4 3kW ATEX	570	542	425	453	497	533	322	366	402
MBRM 631 T4 4kW ATEX	630	603	476	507	551	587	361	405	441
MBRM 632 T4 5,5kW ATEX	630	603	476	507	551	587	361	405	441

Model	d	d1	d2	n1xp	n2xp	Ø3
MBRM 561 T2 18,5kW ATEX	405	448	485	2x125	2x125	14
MBRM 562 T2 22kW ATEX	405	448	485	2x125	3x125	17
MBRM 563 T4 2,2kW ATEX	405	448	485	2x125	3x125	12
MBRM 564 T4 3kW ATEX	405	448	485	2x125	3x125	12
MBRM 631 T4 4kW ATEX	455	497	535	2x125	3x125	12
MBRM 632 T4 5,5kW ATEX	455	497	535	2x125	3x125	12



Model	A	B	C	D	D1	D2	D3	D4	D5
MBRM 711 T4 7,5kW ATEX	216	880	1189	500	835	719	690	662	565
MBRM 712 T4 11kW ATEX	216	960	1189	500	835	719	690	662	565

Model	A	B	C	D	D1	D2	D3	D4	D5
MBRM 801 T4 15kW ATEX	241	1010	1340	560	929	811	782	749	641
MBRM 802 T4 18,5kW ATEX	241	1050	1340	560	929	811	782	749	641
MBRM 803 T6 4kW ATEX	241	940	1340	560	929	811	782	749	641
MBRM 804 T6 5,5kW ATEX	241	940	1340	560	929	811	782	749	641
MBRM 901 T4 30kW ATEX	275	1230	1500	630	1038	905	870	835	721
MBRM 902 T4 37kW ATEX	275	1260	1500	630	1038	905	870	835	721
MBRM 903 T6 7,5kW ATEX	275	1070	1500	630	1038	905	870	835	721
MBRM 904 T6 11kW ATEX	275	1070	1500	630	1038	905	870	835	721
MBRM 1001 T4 45kW ATEX	308	1320	1685	710	1171	1015	976	936	814
MBRM 1002 T4 55kW ATEX	308	1380	1685	710	1171	1015	976	936	814
MBRM 1003 T6 15kW ATEX	308	1230	1685	710	1171	1015	976	936	814
MBRM 1004 T6 18,5kW ATEX	308	1300	1685	710	1171	1015	976	936	814

Model	D6	D7	E	F	G	H	H1	H2	I
MBRM 711 T4 7,5kW ATEX	497	944	1416	500	202	670	500	850	201
MBRM 712 T4 11kW ATEX	497	944	1416	500	202	670	500	850	316
MBRM 801 T4 15kW ATEX	562	1053	1591	560	226	755	560	950	315
MBRM 802 T4 18,5kW ATEX	562	1053	1591	560	226	755	560	950	361
MBRM 803 T6 4kW ATEX	562	1053	1591	560	226	755	560	950	201
MBRM 804 T6 5,5kW ATEX	562	1053	1591	560	226	755	560	950	201
MBRM 901 T4 30kW ATEX	633	1180	1780	630	253	850	630	1060	401
MBRM 902 T4 37kW ATEX	633	1180	1780	630	253	850	630	1060	441
MBRM 903 T6 7,5kW ATEX	633	1180	1780	630	253	850	630	1060	316
MBRM 904 T6 11kW ATEX	633	1180	1780	630	253	850	630	1060	316
MBRM 1001 T4 45kW ATEX	718	1330	1993	710	284	950	710	1180	440
MBRM 1002 T4 55kW ATEX	718	1330	1993	710	284	950	710	1180	500
MBRM 1003 T6 15kW ATEX	718	1330	1993	710	284	950	710	1180	360
MBRM 1004 T6 18,5kW ATEX	718	1330	1993	710	284	950	710	1180	400

Model	J	K	L	M	N	N1xØ1	N2xØ2	O	O6
MBRM 711 T4 7,5kW ATEX	772	826	915	336	404	Nº12 M8x25	14x14	60	444
MBRM 712 T4 11kW ATEX	772	826	915	436	404	Nº12 M8x25	14x14	60	444
MBRM 801 T4 15kW ATEX	862	926	1045	436	453	Nº12 M8x25	14x14	80	493
MBRM 802 T4 18,5kW ATEX	862	926	1045	460	453	Nº12 M8x25	14x14	80	493
MBRM 803 T6 4kW ATEX	862	926	1045	336	453	Nº12 M8x25	14x14	80	493
MBRM 804 T6 5,5kW ATEX	862	926	1045	336	453	Nº12 M8x25	14x14	80	493

Model	J	K	L	M	N	N1xØ1	N2xØ2	O	O6
MBRM 901 T4 30kW ATEX	962	1026	1145	500	507	Nº12 M10x30	16x14	80	550
MBRM 902 T4 37kW ATEX	962	1026	1145	540	507	Nº12 M10x30	16x14	80	550
MBRM 903 T6 7,5kW ATEX	962	1026	1145	436	507	Nº12 M10x30	16x14	80	550
MBRM 904 T6 11kW ATEX	962	1026	1145	436	507	Nº12 M10x30	16x14	80	550
MBRM 1001 T4 45kW ATEX	1056	1128	1255	540	569	Nº16 M10x30	14x14	100	620
MBRM 1002 T4 55kW ATEX	1056	1128	1255	600	569	Nº16 M10x30	14x14	100	620
MBRM 1003 T6 15kW ATEX	1056	1128	1255	460	569	Nº16 M10x30	14x14	100	620
MBRM 1004 T6 18,5kW ATEX	1056	1128	1255	500	569	Nº16 M10x30	14x14	100	620

Model	P	R	S	S1	S2	S3	S4	S5	S6
MBRM 711 T4 7,5kW ATEX	772	75	690	565	497	500	944	835	719
MBRM 712 T4 11kW ATEX	772	60	690	565	497	500	944	835	719
MBRM 801 T4 15kW ATEX	862	60	782	641	562	560	1053	929	811
MBRM 802 T4 18,5kW ATEX	862	39	782	641	562	560	1053	929	811
MBRM 803 T6 4kW ATEX	862	75	782	641	562	560	1053	929	811
MBRM 804 T6 5,5kW ATEX	862	75	782	641	562	560	1053	929	811
MBRM 901 T4 30kW ATEX	962	39	870	721	633	630	1180	1038	905
MBRM 902 T4 37kW ATEX	962	39	870	721	633	630	1180	1038	905
MBRM 903 T6 7,5kW ATEX	962	60	870	721	633	630	1180	1038	905
MBRM 904 T6 11kW ATEX	962	60	870	721	633	630	1180	1038	905
MBRM 1001 T4 45kW ATEX	1056	45	976	814	718	710	1330	1171	1015
MBRM 1002 T4 55kW ATEX	1056	45	976	814	718	710	1330	1171	1015
MBRM 1003 T6 15kW ATEX	1056	45	976	814	718	710	1330	1171	1015
MBRM 1004 T6 18,5kW ATEX	1056	45	976	814	718	710	1330	1171	1015

Model	S7	T	U	W	X	X1	X2	X3	X4
MBRM 711 T4 7,5kW ATEX	662	27	800	497	565	500	944	835	719
MBRM 712 T4 11kW ATEX	662	27	900	497	565	500	944	835	719
MBRM 801 T4 15kW ATEX	749	47	970	546	641	560	1053	929	811
MBRM 802 T4 18,5kW ATEX	749	47	993	546	641	560	1053	929	811
MBRM 803 T6 4kW ATEX	749	47	870	546	641	560	1053	929	811
MBRM 804 T6 5,5kW ATEX	749	47	870	546	641	560	1053	929	811
MBRM 901 T4 30kW ATEX	835	47	1087	500	721	630	1180	1038	905
MBRM 902 T4 37kW ATEX	835	47	1127	540	721	630	1180	1038	905
MBRM 903 T6 7,5kW ATEX	835	47	1023	436	721	630	1180	1038	905

Model	S7	T	U	W	X	X1	X2	X3	X4
MBRM 904 T6 11kW ATEX	835	47	1023	436	721	630	1180	1038	905
MBRM 1001 T4 45kW ATEX	936	67	1209	657	814	710	1330	1171	1015
MBRM 1002 T4 55kW ATEX	936	67	1269	657	814	710	1330	1171	1015
MBRM 1003 T6 15kW ATEX	936	67	1129	657	814	710	1330	1171	1015
MBRM 1004 T6 18,5kW ATEX	936	67	1169	657	814	710	1330	1171	1015

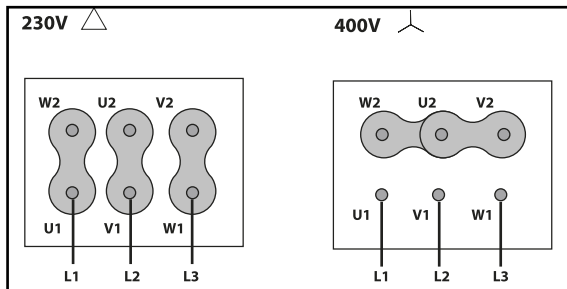
Model	X5	X6	X7	a	a1	a2	b	b1	b2
MBRM 711 T4 7,5kW ATEX	690	662	497	569	629	669	404	464	504
MBRM 712 T4 11kW ATEX	690	662	497	569	629	669	404	464	504
MBRM 801 T4 15kW ATEX	782	749	562	638	698	738	453	513	553
MBRM 802 T4 18,5kW ATEX	782	749	562	638	698	738	453	513	553
MBRM 803 T6 4kW ATEX	782	749	562	638	698	738	453	513	553
MBRM 804 T6 5,5kW ATEX	782	749	562	638	698	738	453	513	553
MBRM 901 T4 30kW ATEX	870	835	633	715	775	815	507	567	607
MBRM 902 T4 37kW ATEX	870	835	633	715	775	815	507	567	607
MBRM 903 T6 7,5kW ATEX	870	835	633	715	775	815	507	567	607
MBRM 904 T6 11kW ATEX	870	835	633	715	775	815	507	567	607
MBRM 1001 T4 45kW ATEX	976	936	718	801	871	921	569	639	689
MBRM 1002 T4 55kW ATEX	976	936	718	801	871	921	569	639	689
MBRM 1003 T6 15kW ATEX	976	936	718	801	871	921	569	639	689
MBRM 1004 T6 18,5kW ATEX	976	936	718	801	871	921	569	639	689

Model	d	d1	d2	n1xp	n2xp	Ø3
MBRM 711 T4 7,5kW ATEX	505	551	585	2x160	3x160	20
MBRM 712 T4 11kW ATEX	505	551	585	2x160	3x160	20
MBRM 801 T4 15kW ATEX	565	629	665	2x160	3x160	20
MBRM 802 T4 18,5kW ATEX	565	629	665	2x160	3x160	20
MBRM 803 T6 4kW ATEX	565	629	665	2x160	3x160	20
MBRM 804 T6 5,5kW ATEX	565	629	665	2x160	3x160	20
MBRM 901 T4 30kW ATEX	635	698	735	2x160	4x160	20
MBRM 902 T4 37kW ATEX	635	698	735	2x160	4x160	20
MBRM 903 T6 7,5kW ATEX	635	698	735	2x160	4x160	20
MBRM 904 T6 11kW ATEX	635	698	735	2x160	4x160	20
MBRM 1001 T4 45kW ATEX	715	775	815	2x200	3x200	20
MBRM 1002 T4 55kW ATEX	715	775	815	2x200	3x200	20
MBRM 1003 T6 15kW ATEX	715	775	815	2x200	3x200	20
MBRM 1004 T6 18,5kW ATEX	715	775	815	2x200	3x200	20

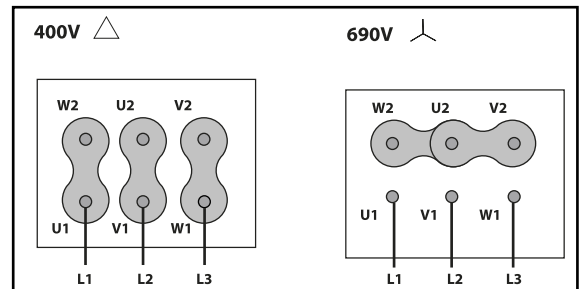
Wiring diagram

Wiring diagram N° 1

230/400V



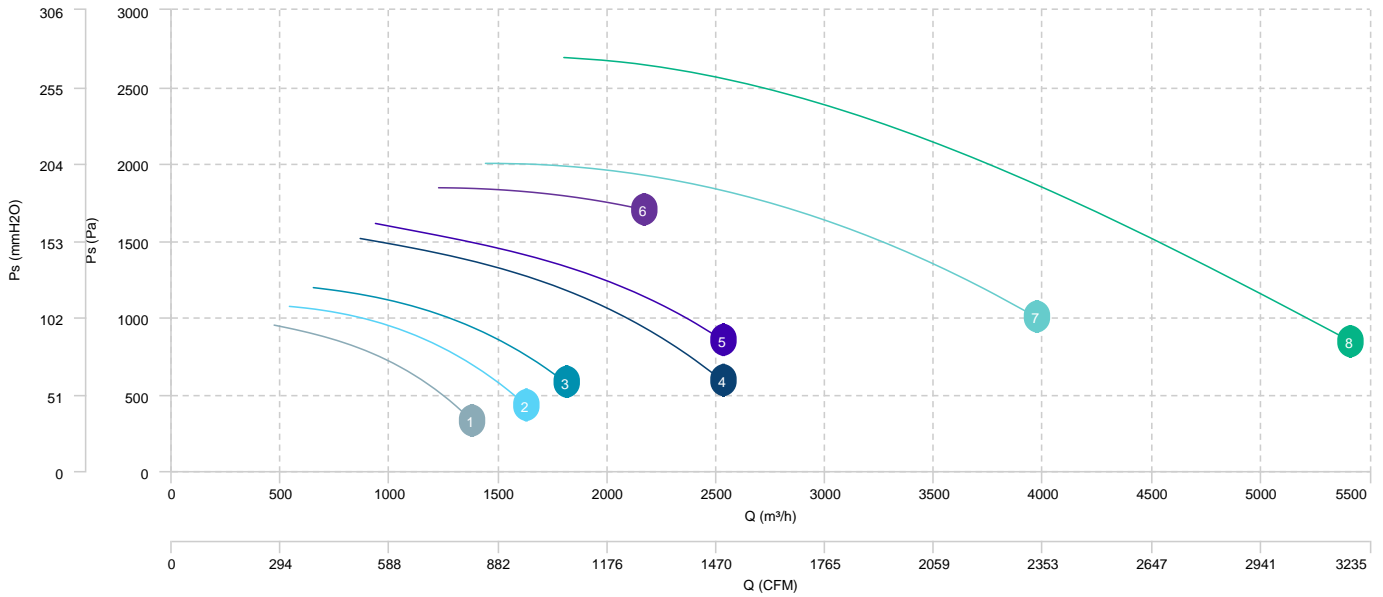
400/690V



CHARACTERISTIC CURVE

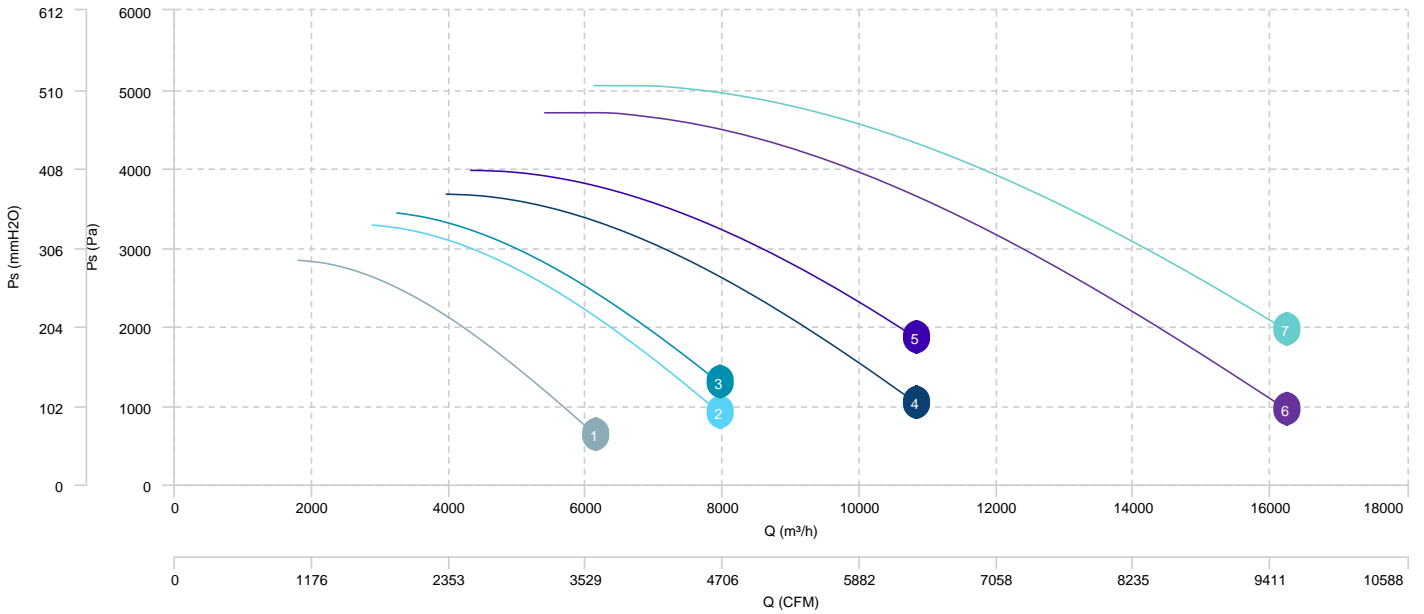
1	MBRM 252 T2 0,37kW ATEX	2	MBRM 281 T2 0,55kW ATEX	3	MBRM 282 T2 0,75kW ATEX	4	MBRM 311 T2 1,1kW ATEX
5	MBRM 312 T2 1,5kW ATEX	6	MBRM 351 T2 1,5kW ATEX	7	MBRM 352 T2 2,2kW ATEX	8	MBRM 401 T2 3kW ATEX

AIR FLOW - PRESSURE

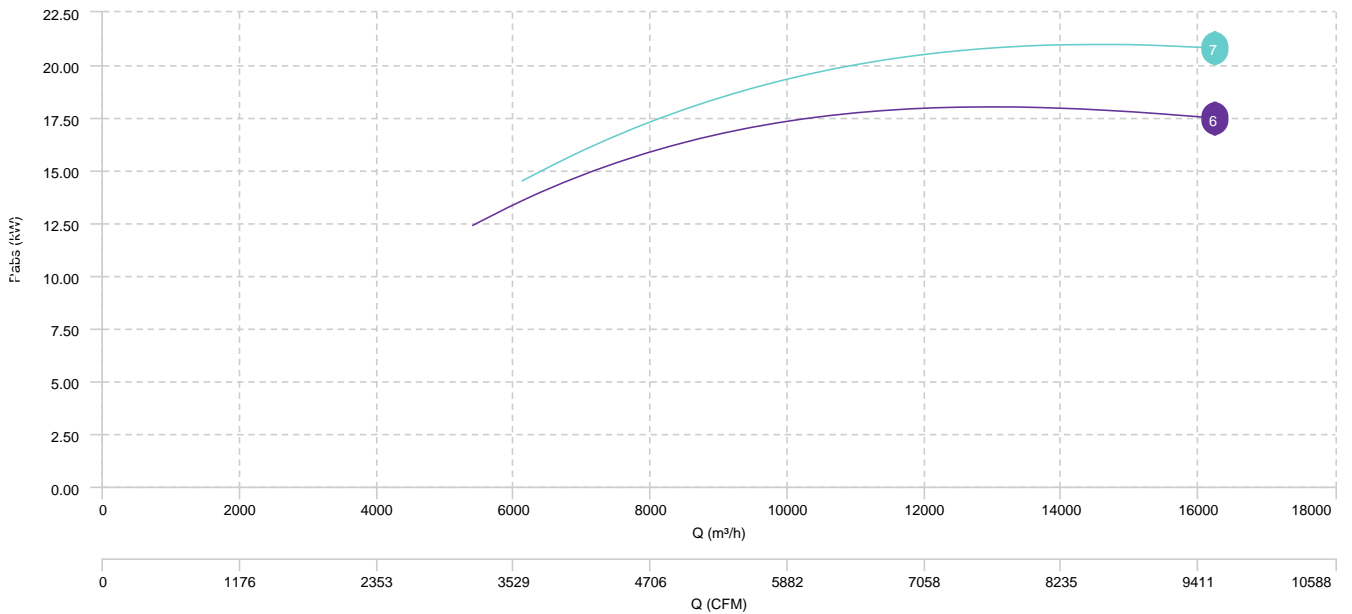


1	MBRM 402 T2 4kW ATEX	2	MBRM 451 T2 5,5kW ATEX	3	MBRM 452 T2 7,5kW ATEX	4	MBRM 501 T2 11kW ATEX
5	MBRM 502 T2 15kW ATEX	6	MBRM 561 T2 18,5kW ATEX	7	MBRM 562 T2 22kW ATEX		

AIR FLOW - PRESSURE

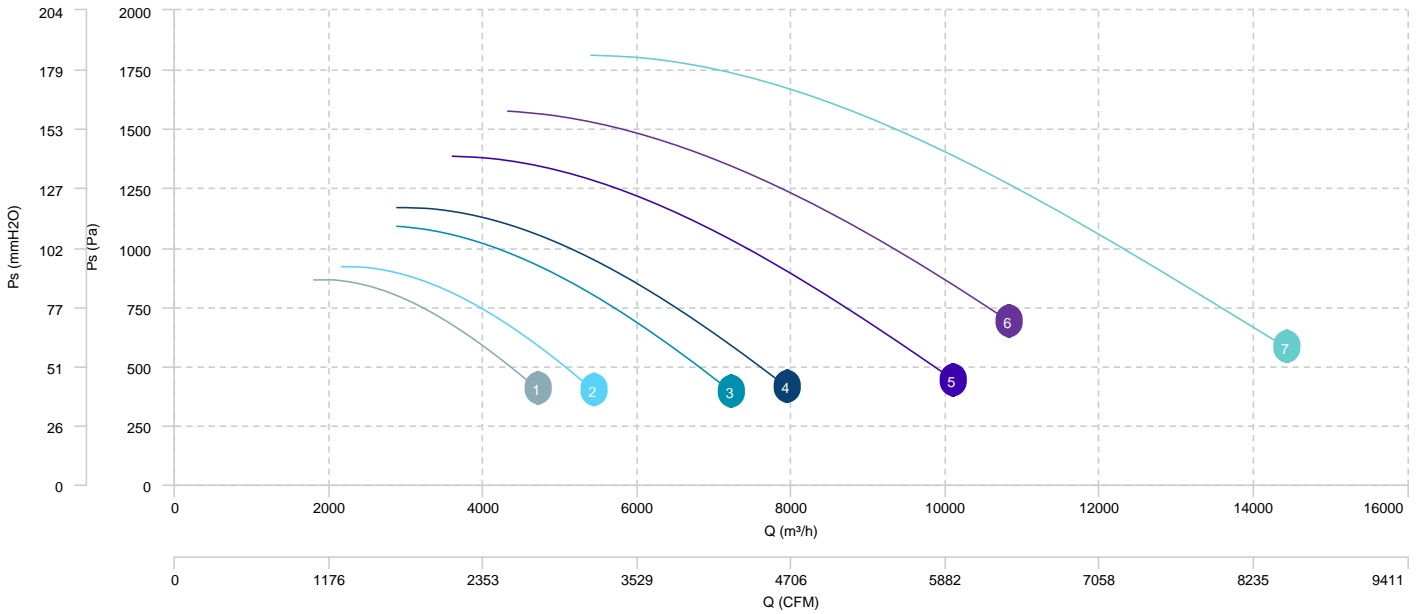


AIR FLOW - ABSORBED POWER



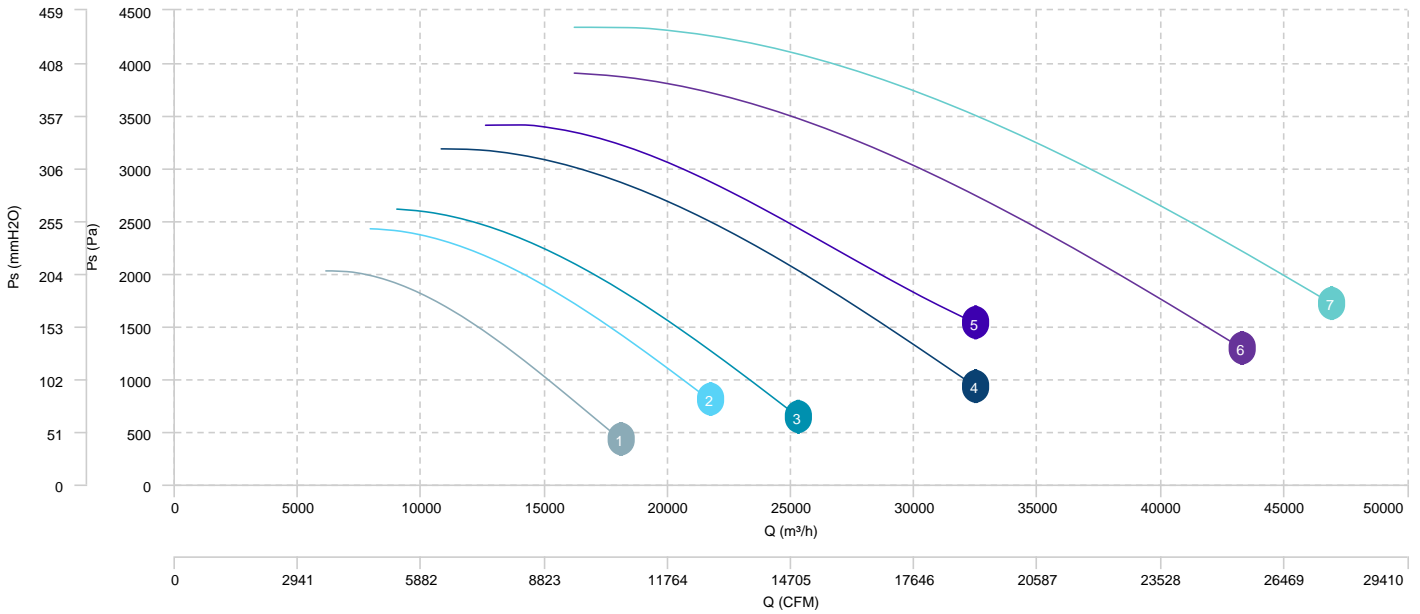
1	MBRM 503 T4 1,1kW ATEX	2	MBRM 504 T4 1,5kW ATEX	3	MBRM 563 T4 2,2kW ATEX	4	MBRM 564 T4 3kW ATEX
5	MBRM 631 T4 4kW ATEX	6	MBRM 632 T4 5,5kW ATEX	7	MBRM 711 T4 7,5kW ATEX		

AIR FLOW - PRESSURE



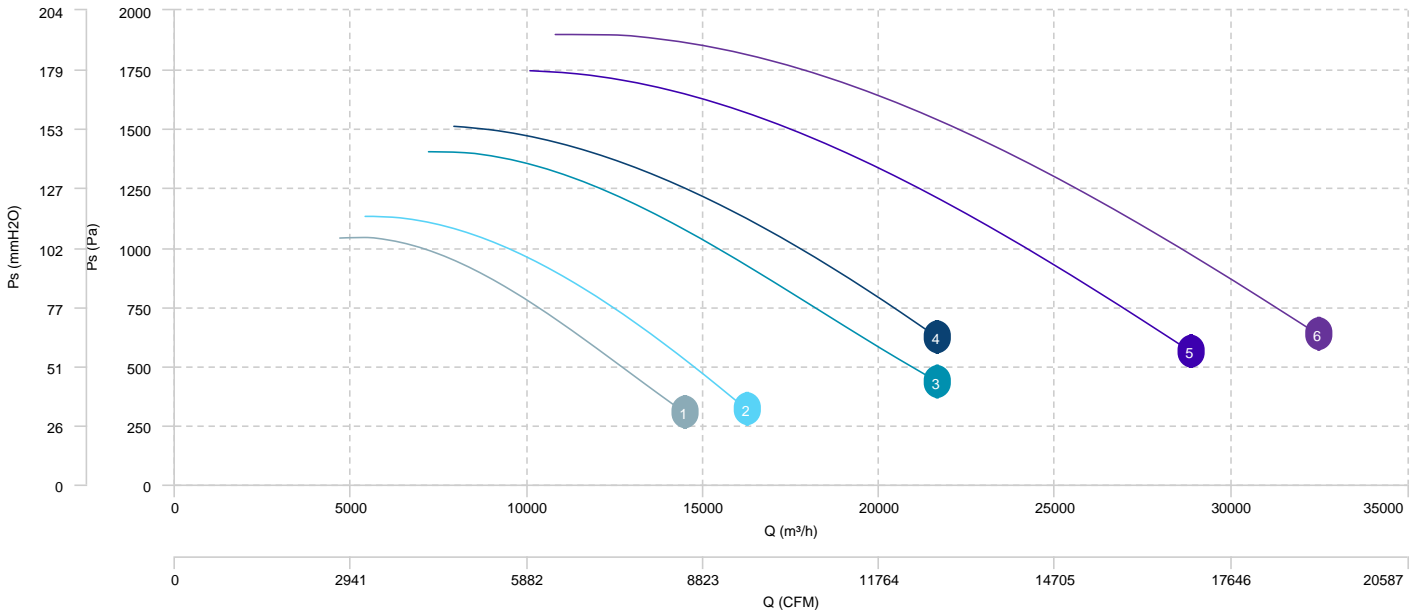
1	MBRM 712 T4 11kW ATEX	2	MBRM 801 T4 15kW ATEX	3	MBRM 802 T4 18,5kW ATEX	4	MBRM 901 T4 30kW ATEX
5	MBRM 902 T4 37kW ATEX	6	MBRM 1001 T4 45kW ATEX	7	MBRM 1002 T4 55kW ATEX		

AIR FLOW - PRESSURE



1	MBRM 803 T6 4kW ATEX	2	MBRM 804 T6 5,5kW ATEX	3	MBRM 903 T6 7,5kW ATEX	4	MBRM 904 T6 11kW ATEX
5	MBRM 1003 T6 15kW ATEX	6	MBRM 1004 T6 18,5kW ATEX				

AIR FLOW - PRESSURE



Sound data

Sound / 2 poles

Sound power Lw dB (A)										
Model		63 Hz	125 Hz	250 Hz	500 Hz	1000 Hz	2000 Hz	4000 Hz	8000 Hz	Total
MBRM 252 T2 0,37kW ATEX	Inlet	49	61	67	71	72	68	61	58	76
MBRM 281 T2 0,55kW ATEX	Inlet	50	62	69	73	74	69	63	60	78
MBRM 282 T2 0,75kW ATEX	Inlet	52	64	70	75	75	71	64	61	80
MBRM 311 T2 1,1kW ATEX	Inlet	54	66	73	77	78	73	67	64	82
MBRM 312 T2 1,5kW ATEX	Inlet	55	67	74	78	79	74	68	65	83
MBRM 351 T2 1,5kW ATEX	Inlet	53	65	71	75	76	72	65	62	80
MBRM 352 T2 2,2kW ATEX	Inlet	57	69	76	80	81	76	70	67	85
MBRM 401 T2 3kW ATEX	Inlet	61	73	79	83	84	80	73	70	89
MBRM 402 T2 4kW ATEX	Inlet	62	74	80	84	85	80	74	71	89
MBRM 451 T2 5,5kW ATEX	Inlet	64	76	83	87	88	83	76	73	92
MBRM 452 T2 7,5kW ATEX	Inlet	64	76	83	87	88	83	76	73	92
MBRM 501 T2 11kW ATEX	Inlet	68	80	86	90	91	86	80	77	95
MBRM 502 T2 15kW ATEX	Inlet	69	81	87	91	92	87	81	78	96
MBRM 561 T2 18,5kW ATEX	Inlet	70	82	89	93	94	89	83	80	98
MBRM 562 T2 22kW ATEX	Inlet	71	83	89	93	94	89	83	80	98

Sound / 4 poles

Sound power Lw dB (A)										
Model		63 Hz	125 Hz	250 Hz	500 Hz	1000 Hz	2000 Hz	4000 Hz	8000 Hz	Total
MBRM 503 T4 1,1kW ATEX	Inlet	53	65	72	76	77	72	65	62	81
MBRM 504 T4 1,5kW ATEX	Inlet	54	66	72	77	77	73	66	63	82
MBRM 563 T4 2,2kW ATEX	Inlet	56	68	74	78	79	75	68	65	84
MBRM 564 T4 3kW ATEX	Inlet	57	69	75	79	80	76	69	66	85
MBRM 631 T4 4kW ATEX	Inlet	59	71	77	81	82	78	71	68	87
MBRM 632 T4 5,5kW ATEX	Inlet	62	74	80	84	85	80	74	71	89
MBRM 711 T4 7,5kW ATEX	Inlet	62	74	80	85	85	81	74	71	90
MBRM 712 T4 11kW ATEX	Inlet	63	75	82	86	87	82	76	73	91
MBRM 801 T4 15kW ATEX	Inlet	65	77	84	88	89	84	78	75	93
MBRM 802 T4 18,5kW ATEX	Inlet	66	78	85	89	90	85	78	75	94
MBRM 901 T4 30kW ATEX	Inlet	69	81	87	91	92	88	81	78	96
MBRM 902 T4 37kW ATEX	Inlet	70	82	88	92	93	88	82	79	97
MBRM 1001 T4 45kW ATEX	Inlet	70	82	89	93	94	89	82	79	98
MBRM 1002 T4 55kW ATEX	Inlet	72	84	90	95	95	91	84	81	100

Sound / 6 poles

Sound power Lw dB (A)										
Model		63 Hz	125 Hz	250 Hz	500 Hz	1000 Hz	2000 Hz	4000 Hz	8000 Hz	Total
MBRM 803 T6 4kW ATEX	Inlet	57	69	76	80	81	76	70	67	85
MBRM 804 T6 5,5kW ATEX	Inlet	58	70	77	81	82	77	71	68	86
MBRM 903 T6 7,5kW ATEX	Inlet	60	72	78	83	83	79	72	69	88
MBRM 904 T6 11kW ATEX	Inlet	62	74	80	84	85	81	74	71	90
MBRM 1003 T6 15kW ATEX	Inlet	64	76	82	86	87	83	76	73	91
MBRM 1004 T6 18,5kW ATEX	Inlet	65	77	83	87	88	84	77	74	92