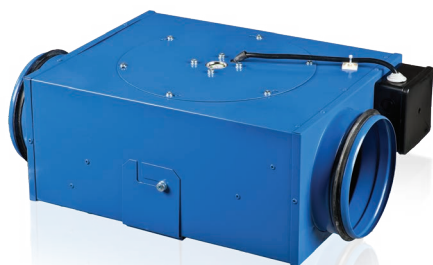


Series  
**VENTS VKP**



Centrifugal fans in the steel casing with the air flow up to **553 m<sup>3</sup>/h (50 Hz)** and **610 m<sup>3</sup>/h (up to 60 Hz)** for round ducts

■ **Applications**

Supply and exhaust ventilation systems for commercial, office and other public or industrial premises with limited installation space. Suitable for connection with Ø 100 and up to 160 mm round ducts.

■ **Design**

The fan casing is made of steel with polymeric coating. The removable cover provides easy access to the motor, thus ensuring easy mounting as well as the fan and the air ducts maintenance without dismantling.

■ **Motor**

The centrifugal impeller with backward curved blades is powered by means of the single phase motor with external rotor and overheating protection with automatic restart. The motor is equipped with ball bearings for long service life designed for at least

40 000 hours. For precise features, safe operation and low noise, each turbine is dynamically balanced while assembly. Motor protection rating IP44.

■ **Speed control**

Smooth or step speed control with a thyristor or autotransformer speed controller. Several fans may be connected to one speed controller provided that the total power and operating current do not exceed the rated speed controller parameters.

■ **Mounting**

Mounting at any angle to wall is performed with fastening bracket supplied with the unit. The fan is powered through the external terminal box. Electric supply and mounting shall be performed in compliance with the manual and wiring diagram on the terminal box.



External terminal box for power supply



Easy access to motor without fan dismantling

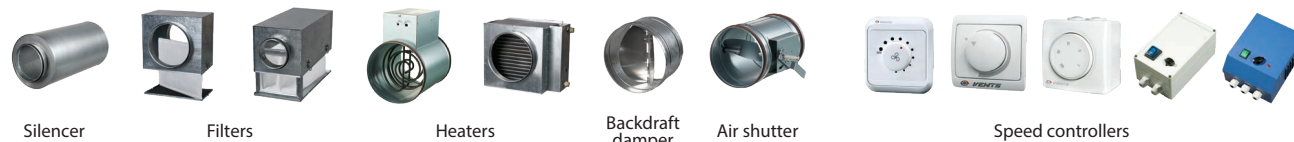
**Technical data**

	VKP 100		VKP 125		VKP 150 VKP 160	
Voltage [V]	1~230		1~230		1~230	
Frequency [Hz]	50	60	50	60	50	60
Power [W]	58	79	58	81	85	107
Current [A]	0.26	0.35	0.26	0.36	0.38	0.47
Max. air flow [m <sup>3</sup> /h]	240	250	340	355	553	610
RPM [min <sup>-1</sup> ]	2500	2730	2500	2750	2600	2810
Noise level at 3 m [dBA]	47	48	48	49	50	52
Transported air temperature [°C]	-25...+50	-25...+50	-25...+50	-25...+50	-25...+40	-25...+40
SEC class	C	C	B	B	B	B
Protection rating	IPX4		IPX4		P X4	

**Designation key**

Series	Exhaust spigot diameter	Intake spigot diameter	Number of intake spigots
<b>VENTS VKP</b>	100; 125; 150; 160	100; 125; 150; 160	_(by default) 1; 2; 4

**Accessories**



Silencer

Filters

Heaters

Backdraft damper

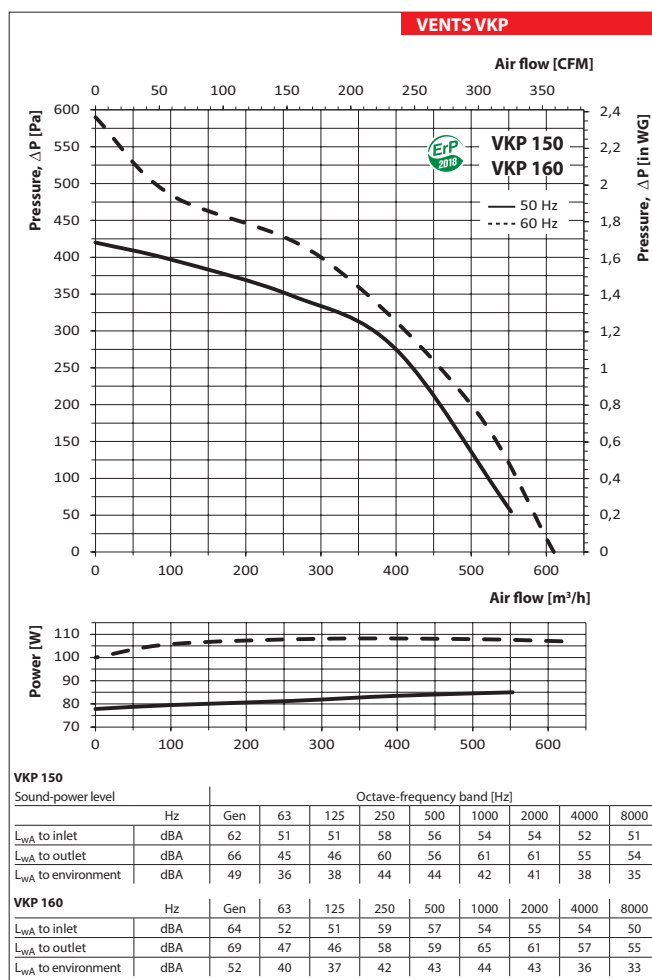
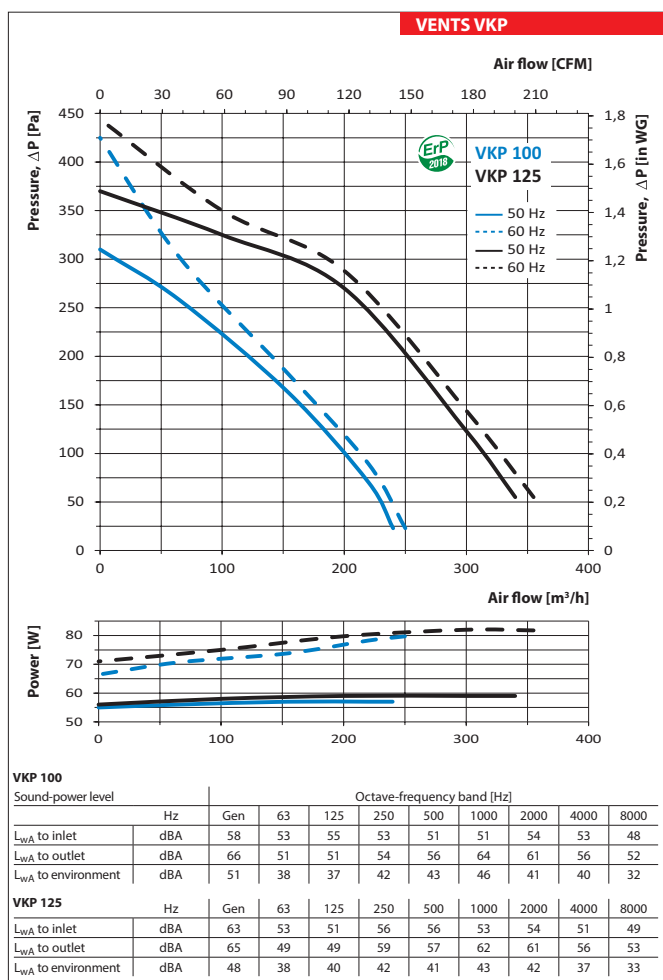
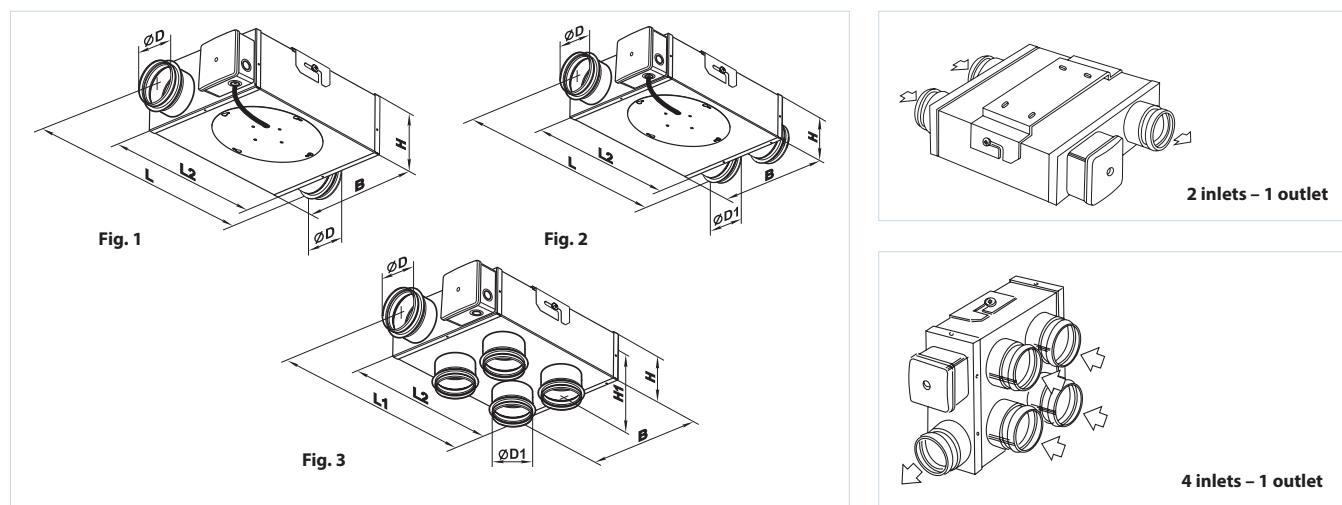
Air shutter

Speed controllers

Fan overall dimensions

Type	Dimensions [mm]								Mass [kg]	Fig. no.
	ØD	ØD1	B	H	H1	L	L1	L2		
VKP 100	99	-	252	133	-	420	-	321	4.65	1
VKP 125	124	-	252	133	-	420	-	321	4.55	1
VKP 150	149	-	305	170	-	480	-	382	6.35	1
VKP 160	159	-	305	170	-	480	-	382	6.60	1
VKP 125/100*2	124	99	252	133	-	420	-	321	2.84	2
VKP 125/100*4	124	99	252	133	191	-	376	321	2.84	3
VKP 150/125*2	149	124	300	170	-	480	-	382	6.33	2

FAN SERIES VENTS VKP



Series  
**VENTS VP**



Centrifugal ceiling fans with the air flow up to **485 m<sup>3</sup>/h (50 Hz)** up to **531 m<sup>3</sup>/h (60 Hz)** in steel casing with a plastic front panel

**Application**

Designed for exhaust ventilation systems of commercial, office and other public or industrial premises with limited space for installation in a false ceiling. Designed for connection to Ø 100 and 125 mm round air ducts.

**Design**

The fan casing is made of galvanized steel and the decorative front plate is made of ABS plastic and fitted with a filter. The front plate design ensures easy access to the filter without any tools. The fan is equipped with a backdraft damper to prevent back air flow. The damper blades are opened by air pressure generated by the fan and are closed with a spring.

**Motor**

Single phase external rotor motor with a centrifugal impeller and backward curved blades.

The motor is equipped with built-in overheating protection with automatic restart. The motor ball bearings ensure 40 000 hours service life. For precise features, safe operation and low noise, each impeller is dynamically balanced while assembly. Motor ingress protection rating IP44.

**Speed control**

Smooth or step speed control with a thyristor or autotransformer speed controller. Several fans may be connected to one speed controller provided that the total power and operating current do not exceed the rated speed controller parameters.

**Mounting**

The fan is mounted between the floor framing and false ceiling with brackets. The distance from the floor framing to the false ceiling may range from 165 mm to 390 mm. The fan is connected to power mains through the external terminal block. Electric connections and installation operations must be in compliance with installation guidelines and wiring diagram.



**Designation key**

Series	Flange diameter	Options
<b>VENTS VP</b>	100; 125; 150	<b>K:</b> backdraft damper <b>Q:</b> low-powered motor

**Accessories**



Silencer

Speed controllers

Sensor

**Technical data**

	VP 100 K Q		VP 100 K		VP 125 K Q		VP 125 K		VP 150 K	
Voltage [V]	1~230		1~230		1~230		1~230		1~230	
Frequency [Hz]	50	60	50	60	50	60	50	60	50	60
Power [W]	58	66	61	79	56	58	61	81	112	136
Current [A]	0.28	0.29	0.26	0.35	0.34	0.35	0.26	0.36	0.5	0.6
Max. air flow [m³/h]	170	185	240	250	225	240	310	320	485	531
RPM [min <sup>-1</sup> ]	2300	2570	2500	2730	2300	2570	2500	2740	2465	2550
Noise level at 3 m [dBA]	42	43	47	48	43	44	48	49	52	53
Transported air temperature [°C]	-25...+45		-25...+50		-25...+45		-25...+50		-25...+50	
SEC class	C		C		C		C		C	
Protection rating	IPX4		IPX4		IPX4		IPX4		IPX4	

FAN SERIES VENTS VP

**Fan overall dimensions**

Type	Dimensions [mm]					Mass [kg]	Fig.no.
	∅D	B	H	H1	L		
VP 100 K Q	100	240	160	189	305	3.4	1
VP 100 K	100	240	160	189	305	3.4	1
VP 125 K Q	125	240	160	189	305	3.4	1
VP 125 K	125	240	160	189	305	3.4	1
VP 150 K	149	355	180	215	419	6.5	2

