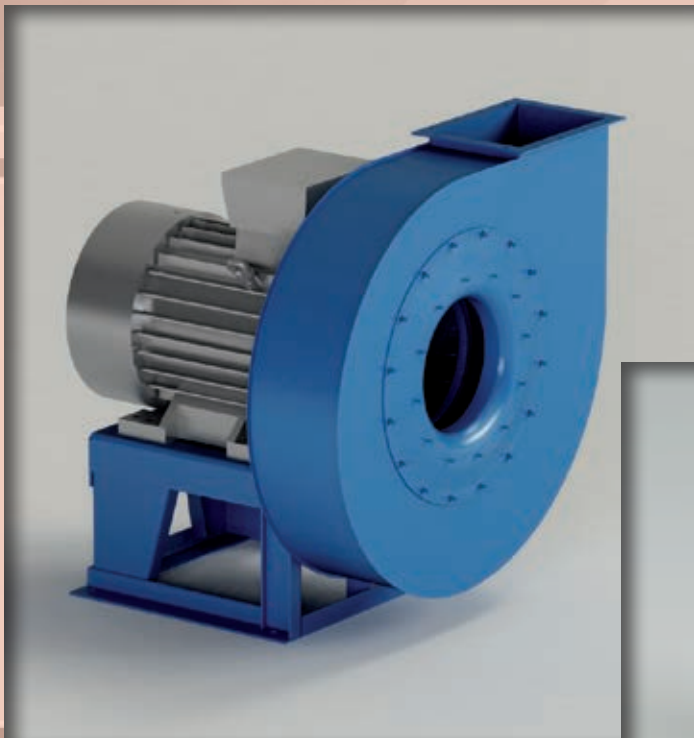


Mod.
ZD



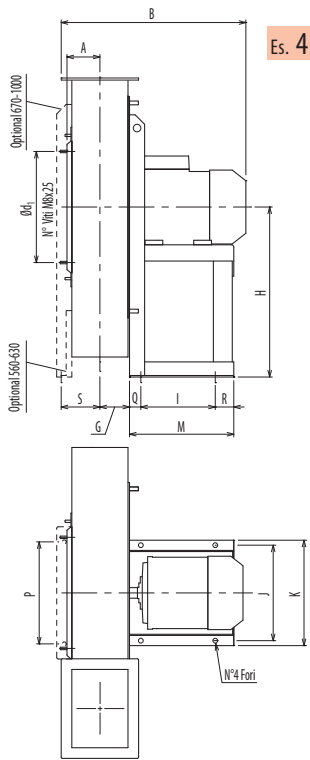
$Q = 1400 \div 25000 \text{m}^3/\text{h}$

$Q = 0.4 \div 7 \text{m}^3/\text{s}$

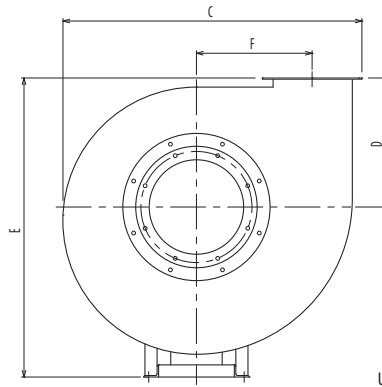
$p_t = 140 \div 350 \text{mmH}_2\text{O}$

$p_t = 1400 \div 3500 \text{Pa}$

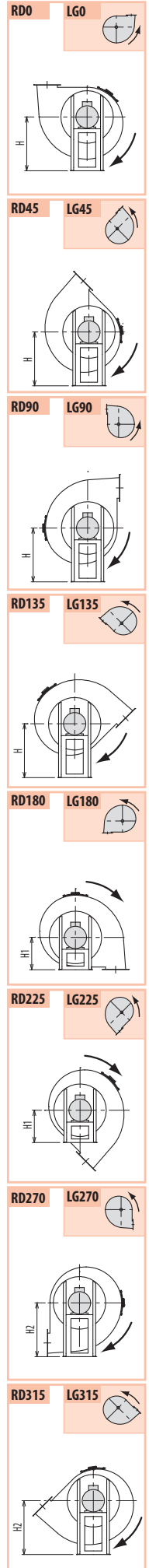
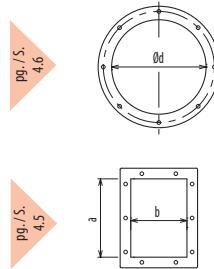




Es. 4



Ulteriori informazioni e quote:
 ■ Ulérieures informations et cotes:
 ■ Further information and sizes:
 ■ Weitere Infos und Größen:
 ■ Más informaciones y medidas:



ZD

Il ventilatore è orientabile • Peso in tabella comprensivo di motore

- Le ventilateur est orientable
 - The fan is revolvable
 - Der Ventilator ist drehbar
 - El ventilador es orientable
- Le poids dans le tableau inclut le moteur The weight indicated in the table includes motor Gewichtsangabe in Tabelle inkl. Motor El peso en la tabla incluye el motor

| TIPO - Type | | PESO Weight Kg | A | B | C | D | E | F | G | H | H1 | H2 | I | J | K | M | P | Q | R | S | a | b | d | d ₁ | N° |
|-----------------|------------------|----------------|------------|------------|------|-----|------|-----|-----|-----|-----|-----|-----|-----|-----|-----|-----|----|----|-----|-----|-----|-----|----------------|----|
| VENTILATORE Fan | MOTORE Motor | | | | | | | | | | | | | | | | | | | | | | | | |
| ZD560/4 | 100 LB4 | 105 | 115 | 562 | 882 | 375 | 875 | 308 | 108 | 500 | 375 | 500 | 197 | 289 | 324 | 276 | 245 | 30 | 49 | 126 | 288 | 205 | 320 | 366 | 8 |
| ZD630/4 | 112 M4 | 146 | 127 | 607 | 989 | 425 | 985 | 348 | 120 | 560 | 375 | 560 | 197 | 289 | 324 | 276 | 270 | 30 | 49 | 138 | 322 | 229 | 360 | 405 | 8 |
| ZD710/4R(670) | 132 S4 | 196 | 141 | 674 | 1103 | 475 | 1105 | 389 | 133 | 630 | 475 | 630 | 237 | 337 | 372 | 336 | 570 | 40 | 59 | 158 | 361 | 256 | 405 | 448 | 12 |
| ZD710/4(700) | 132 M4 | 204 | 141 | 674 | 1103 | 475 | 1105 | 389 | 133 | 630 | 475 | 630 | 237 | 337 | 372 | 336 | 570 | 40 | 59 | 158 | 361 | 256 | 405 | 448 | 12 |
| ZD800/4R(750) | 160 M4 | 352 | 163 | 812 | 1237 | 530 | 1240 | 440 | 150 | 710 | 530 | 710 | 337 | 395 | 440 | 436 | 600 | 50 | 49 | 174 | 404 | 288 | 455 | 497 | 12 |
| ZD800/4 | 160 L4 | 364 | 163 | 812 | 1237 | 530 | 1240 | 440 | 150 | 710 | 530 | 710 | 337 | 395 | 440 | 436 | 600 | 50 | 49 | 174 | 404 | 288 | 455 | 497 | 12 |
| ZD900/4R(830) | 180 M4 180 L4 | 546 561 | 180 180 | 927 978 | 1390 | 600 | 1400 | 496 | 167 | 800 | 600 | 800 | 357 | 434 | 488 | 460 | 663 | 70 | 33 | 196 | 453 | 322 | 505 | 551 | 12 |
| ZD900/4 | 200 L4 | 629 | 180 | 1035 | 1390 | 600 | 1400 | 496 | 167 | 800 | 600 | 800 | 381 | 506 | 568 | 500 | 663 | 80 | 39 | 196 | 453 | 322 | 505 | 551 | 12 |
| ZD1000/4R(960) | 225 S4 | 821 | 200 | 1056 | 1541 | 670 | 1570 | 556 | 187 | 900 | 670 | 900 | 421 | 556 | 616 | 540 | 780 | 80 | 39 | 231 | 507 | 361 | 565 | 629 | 12 |
| ZD1000/4 | 225 M4 | 851 | 200 | 1116 | 1541 | 670 | 1570 | 556 | 187 | 900 | 670 | 900 | 421 | 556 | 616 | 540 | 780 | 80 | 39 | 231 | 507 | 361 | 565 | 629 | 12 |

| TIPO - Type | | kW | rpm | Q[m ³ /s] | | | | | | | | | | | | | | | | | | | | | | | | | |
|-----------------|--------------|------|------|----------------------|------|------|------|------|------|------|------|------|------|------|------|------|------|------|------|------|------|------|------|------|------|------|------|------|------|
| VENTILATORE Fan | MOTORE Motor | | | 0,41 | 0,52 | 0,63 | 0,74 | 0,84 | 0,94 | 1,05 | 1,15 | 1,30 | 1,45 | 1,65 | 1,85 | 2,10 | 2,35 | 2,60 | 2,85 | 3,10 | 3,35 | 3,65 | 3,95 | 4,25 | 4,55 | 4,95 | 5,35 | 5,75 | 6,15 |
| | | | | p _t [Pa] | | | | | | | | | | | | | | | | | | | | | | | | | |
| ZD560/4 | 100 LB4 | 3 | 1470 | 1485 | 1480 | 1470 | 1445 | 1390 | 1310 | 1190 | 1060 | 865 | | | | | | | | | | | | | | | | | |
| ZD630/4 | 112 M4 | 4 | 1470 | | | | 1870 | 1860 | 1830 | 1755 | 1710 | 1545 | | | | | | | | | | | | | | | | | |
| ZD710/4R | 132 S4 | 5,5 | 1470 | | | | | 2115 | 2105 | 2100 | 2045 | 1965 | 1825 | | | | | | | | | | | | | | | | |
| ZD710/4 | 132 M4 | 7,5 | 1470 | | | | | | 2315 | 2305 | 2290 | 2250 | 2150 | 2020 | 1830 | | | | | | | | | | | | | | |
| ZD800/4R | 160 M4 | 11 | 1470 | | | | | | | 2645 | 2625 | 2560 | 2430 | 2270 | 2080 | 1855 | | | | | | | | | | | | | |
| ZD800/4 | 160 L4 | 15 | 1470 | | | | | | | | 3000 | 2955 | 2860 | 2735 | 2585 | 2410 | 2210 | | | | | | | | | | | | |
| ZD900/4R | 180 M4 | 18,5 | 1470 | | | | | | | | | 3230 | 3180 | 3090 | 2975 | 2830 | 2665 | 2450 | | | | | | | | | | | |
| ZD900/4 | 180 L4 | 22 | 1470 | | | | | | | | | | 3180 | 3090 | 2975 | 2830 | 2665 | 2450 | 2000 | | | | | | | | | | |
| ZD900/4 | 200 L4 | 30 | 1470 | | | | | | | | | | | 3785 | 3710 | 3625 | 3495 | 3325 | 3150 | 2955 | 2665 | 2375 | | | | | | | |
| ZD1000/4R | 225 S4 | 37 | 1470 | | | | | | | | | | | | | | 4310 | 4250 | 4170 | 4050 | 3910 | 3700 | 3475 | 3210 | | | | | |
| ZD1000/4 | 225 M4 | 45 | 1470 | | | | | | | | | | | | | | | 4685 | 4655 | 4580 | 4490 | 4330 | 4140 | 3930 | 3705 | 3480 | | | |