

MBRU ATEX



ATEX MEDIUM PRESSURE WITH BACKWARD IMPELLER

MANUFACTURING FEATURES:

- Fan made of Fe360 sheet. The fan paint finish is based on a Qualicoat polyester powder coating stoved at 200°C, with an average film thickness of 70 microns. Average heat resistance of coating is 180°C with peaks of 200°C.
- Single inlet backward impeller with self-cleaning system made of Fe360 sheet statically and dynamically balanced. Impellers are painted with polyester primer that resists temperatures up to 300°C.
- ATEX standard asynchronous motor. ATEX certified according to the zone. squirrel-cage motor with class F insulation. Manufactured with standard voltages: 230/400V 50Hz in three phase motors up to 4kW and 400/690V 50Hz for higher powers.
- Standard orientation LG270.

APPLICATIONS:

Designed for inline installation, they are suitable for:

- Industrial applications, extraction or injection of air.
- Cooling of machines and parts.
- Dusty air and small loads of pellet materials transport.
- Exhaust after filters, separators and cyclones.
- Pneumatic transport.
- Working temperature: ambient from -20°C to 40°C, transported air according to the ATEX classification.

UNDER REQUEST

- Fans for 60Hz and special voltages.
- C4 or C5 coating painting
- Hot dip galvanized
- Inox 304 (normal or electropolished finish)
- Inox 316 (normal or electropolished finish)
- Split casing (for big sizes)
- Drain plug.
- Frontal foot
- Orientation: RD0, RD45, RD90, RD135, RD180, RD225, RD270, RD315, LG0, LG45, LG90, LG135, LG180. LG225, LG315.

*To place an order for an ATEX fan, you must replace the XY of the code with XE for zone 1, XN for zone 2, XC for zone 22 for conductive dust and XNC for zone 22 for non conductive dust. For fans with inside zone 2 or 22 and outside not classified you must replace for XI.

Accessories



AB



AC



AVR



AVS



BA-400



EI



FS



INT ATEX



JE 45



RI



SFC

Technical data

Three-phase motor / 2 poles

Code	Model	R.P.M.	Rated I. A 400V	Rated power kW	Max. Airflow m ³ /h	Sound db (A)**	Weight kg	Connect. diagram
501902515XN	MBRU 250 T2 0,37kW ATEX	2850	1,00	0,37	1.225	49	28	1
501902816XN	MBRU 280 T2 0,55kW ATEX	2840	1,45	0,55	1.620	50	30	1
501903118XN	MBRU 310 T2 1,1kW ATEX	2830	2,6	1,10	2.520	51	42	1
501903527XN	MBRU 350 T2 2,2kW ATEX	2840	5,4	2,20	3.240	54	62	1
501904032XN	MBRU 400 T2 4kW ATEX	2910	9,2	4,00	4.680	57	90	1
501904536XN	MBRU 450 T2 7,5kW ATEX	2910	14,1	7,50	10.520	62	115	1
501905021XN	MBRU 501 T2 11kW ATEX	2940	21,4	11,00	10.800	62	175	1
501905624XN	MBRU 561 T2 15kW ATEX	2935	27,4	15,00	14.400	65	217	1
501905626XN	MBRU 562 T2 18,5kW ATEX	2940	34,4	18,50	16.000	64	228	1
501906330XN	MBRU 631 T2 30kW ATEX	2955	56,6	30,00	25.200	71	438	1
501906331XN	MBRU 632 T2 37kW ATEX	2955	66,7	37,00	28.800	70	443	1
501907135XN	MBRU 711 T2 55kW ATEX	2960	95,00	55,00	25.200	71	625	1
501907137XN	MBRU 712 T2 75kW ATEX	2975	130,00	75,00	39.600	73	760	1
501908038XN	MBRU 801 T2 90kW ATEX	2975	156,00	90,00	32.400	71	904	1
501908022XN	MBRU 802 T2 110kW ATEX	2980	188,00	110,00	39.600	75	1046	1

Three-phase motor / 4 poles

Code	Model	R.P.M.	Rated I. A 400V	Rated power kW	Max. Airflow m ³ /h	Sound db (A)**	Weight kg	Connect. diagram
501905045XN	MBRU 502 T4 1,1kW ATEX	1420	3,3	1,10	3.960	51	100	1
501905654XN	MBRU 563 T4 2,2kW ATEX	1440	5,8	2,20	7.200	53	143	1
501906359XN	MBRU 633 T4 4kW ATEX	1450	9,1	4,00	12.600	55	190	1
501907161XN	MBRU 713 T4 5,5kW ATEX	1455	11,5	5,50	10.800	55	275	1
501907163XN	MBRU 714 T4 7,5kW ATEX	1448	15,6	7,50	16.200	59	288	1
501908049XN	MBRU 803 T4 11kW ATEX	1460	20,9	11,00	18.000	58	418	1
501908052XN	MBRU 804 T4 15kW ATEX	1465	29,8	15,00	28.800	62	432	1
501909053XN	MBRU 901 T4 18,5kW ATEX	1470	35,6	18,50	19.800	58	590	1
501909057XN	MBRU 902 T4 30kW ATEX	1475	56,3	30,00	36.000	64	687	1
501910058XN	MBRU 1001 T4 37kW ATEX	1470	69,2	37,00	43.200	66	933	1
501910060XN	MBRU 1002 T4 45kW ATEX	1475	80,7	45,00	46.800	66	975	1

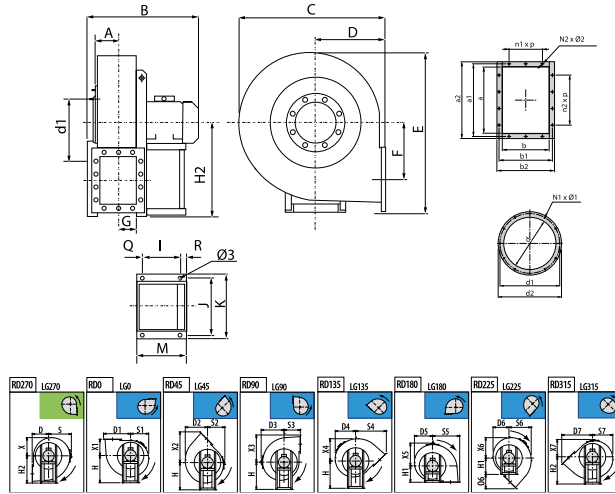
Three-phase motor / 6 poles

Code	Model	R.P.M.	Rated I. A		Rated power kW	Max. Airflow m ³ /h	Sound db (A)**	Weight kg	Connect. diagram
			230V	400V					
501908083XN	MBRU 805 T6 4kW ATEX	960	16,5	9,46	4,00	16.200	54	390	1
501909087XN	MBRU 903 T6 7,5kW ATEX	965	-	15,2	7,50	25.200	55	504	1
501910075XN	MBRU 1003 T6 11kW ATEX	965	-	22,6	11,00	28.800	58	684	1
501910076XN	MBRU 1004 T6 15kW ATEX	970	-	27,7	15,00	32.400	58	759	1

Notes:

** Total sound pressure level at the point of maximum flow measured in dB(A) in the suction measured in free field at a distance of 6m from the source

Dimensions



Model	A	B	C	D	D1	D2	D3	D4	D5
MBRU 250 T2 0,37kW ATEX	86	396	471	195	314	255	276	235	212
MBRU 280 T2 0,55kW ATEX	95	414	505	200	353	287	305	262	231
MBRU 310 T2 1,1kW ATEX	105	458	557	225	393	316	332	288	256
MBRU 350 T2 2,2kW ATEX	115	530	600	255	437	359	375	325	288
MBRU 400 T2 4kW ATEX	127	606	685	285	487	387	400	353	311
MBRU 450 T2 7,5kW ATEX	141	673	765	320	542	435	445	398	354
MBRU 501 T2 11kW ATEX	157	810	862	360	597	490	502	450	400
MBRU 502 T4 1,1kW ATEX	157	613	862	360	597	490	502	450	400

Model	D6	D7	E	F	G	H	H1	H2	I
MBRU 250 T2 0,37kW ATEX	215	360	527	175	77	315	195	315	121
MBRU 280 T2 0,55kW ATEX	226	391	606	202	86	375	200	375	121
MBRU 310 T2 1,1kW ATEX	253	437	656	229	96	400	225	400	121
MBRU 350 T2 2,2kW ATEX	278	489	738	253	106	450	255	450	133
MBRU 400 T2 4kW ATEX	306	546	811	286	118	500	285	500	197
MBRU 450 T2 7,5kW ATEX	342	609	914	321	132	560	320	560	237
MBRU 501 T2 11kW ATEX	380	677	1000	355	148	600	360	600	337
MBRU 502 T4 1,1kW ATEX	380	677	1000	355	148	600	360	600	133

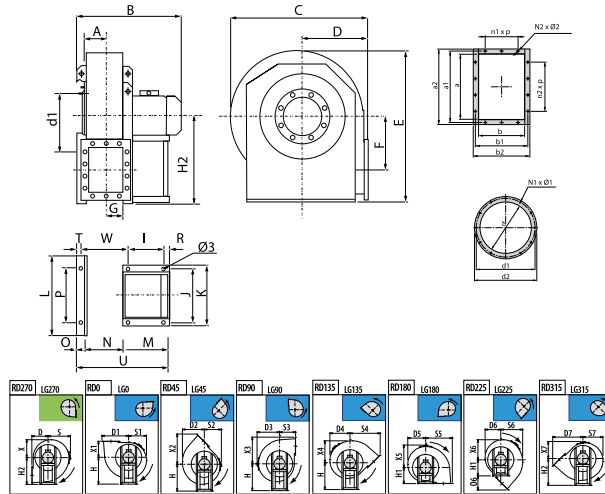
Model	J	K	M	N1xØ1	N2xØ2	O6	Q	R	S
MBRU 250 T2 0,37kW ATEX	203	225	189	Nº8 M6x20	8x12	165	45	23	276
MBRU 280 T2 0,55kW ATEX	203	225	189	Nº8 M6x20	8x12	191	45	23	305
MBRU 310 T2 1,1kW ATEX	203	225	211	Nº8 M6x20	10x12	212	45	45	332

Model	J	K	M	N1xØ1	N2xØ2	O6	Q	R	S
MBRU 350 T2 2,2kW ATEX	234	260	246	Nº8 M8x25	10x12	234	55	58	375
MBRU 400 T2 4kW ATEX	289	324	276	Nº8 M8x25	10x12	261	30	49	400
MBRU 450 T2 7,5kW ATEX	337	372	336	Nº8 M8x25	10x12	289	40	59	445
MBRU 501 T2 11kW ATEX	395	440	436	Nº12 M8x25	14x12	317	50	49	502
MBRU 502 T4 1,1kW ATEX	234	260	246	Nº12 M8x25	14x12	317	55	58	502

Model	S1	S2	S3	S4	S5	S6	S7	X	X1
MBRU 250 T2 0,37kW ATEX	212	215	195	360	314	255	235	212	195
MBRU 280 T2 0,55kW ATEX	231	226	200	391	353	287	262	231	200
MBRU 310 T2 1,1kW ATEX	256	253	225	437	393	316	288	256	225
MBRU 350 T2 2,2kW ATEX	288	278	255	489	437	359	325	288	255
MBRU 400 T2 4kW ATEX	311	306	285	543	487	387	353	311	285
MBRU 450 T2 7,5kW ATEX	354	342	320	609	542	435	398	354	320
MBRU 501 T2 11kW ATEX	400	380	360	676	597	490	450	400	360
MBRU 502 T4 1,1kW ATEX	400	380	360	676	597	490	450	400	360

Model	X2	X3	X4	X5	X6	X7	a	a1	a2
MBRU 250 T2 0,37kW ATEX	360	314	255	276	235	215	207	241	277
MBRU 280 T2 0,55kW ATEX	391	353	287	305	262	226	231	265	301
MBRU 310 T2 1,1kW ATEX	437	393	316	332	288	253	258	292	328
MBRU 350 T2 2,2kW ATEX	489	437	359	375	325	278	288	332	368
MBRU 400 T2 4kW ATEX	543	487	387	400	353	306	322	366	402
MBRU 450 T2 7,5kW ATEX	609	542	435	445	398	342	361	405	441
MBRU 501 T2 11kW ATEX	677	597	490	502	450	380	404	448	484
MBRU 502 T4 1,1kW ATEX	677	597	490	502	450	380	404	448	484

Model	b	b1	b2	d	d1	d2	n1xp	n2xp	Ø3
MBRU 250 T2 0,37kW ATEX	148	182	218	205	241	275	1x112	1x112	10
MBRU 280 T2 0,55kW ATEX	166	200	236	228	265	298	1x112	1x112	10
MBRU 310 T2 1,1kW ATEX	185	219	255	255	292	325	1x112	2x112	10
MBRU 350 T2 2,2kW ATEX	205	249	285	285	332	365	1x125	2x125	10
MBRU 400 T2 4kW ATEX	229	273	309	320	366	400	1x125	2x125	12
MBRU 450 T2 7,5kW ATEX	256	300	336	360	405	440	1x125	2x125	12
MBRU 501 T2 11kW ATEX	288	332	368	405	448	485	2x125	3x125	14
MBRU 502 T4 1,1kW ATEX	288	332	368	405	448	485	2x125	3x125	10



Model	A	B	C	D	D1	D2	D3	D4	D5
MBRU 561 T2 15kW ATEX	180	857	970	400	657	555	570	542	485
MBRU 562 T2 18,5kW ATEX	180	857	970	400	657	555	570	542	485
MBRU 563 T4 2,2kW ATEX	180	691	970	400	657	555	570	542	485
MBRU 631 T2 30kW ATEX	200	1086	1080	450	733	619	630	603	550
MBRU 632 T2 37kW ATEX	200	1086	1080	450	733	619	630	603	550
MBRU 633 T4 4kW ATEX	200	752	1080	450	733	619	630	603	550

Model	D6	D7	E	F	G	H	H1	H2	I
MBRU 561 T2 15kW ATEX	425	747	1155	390	165	670	400	670	337
MBRU 562 T2 18,5kW ATEX	425	747	1155	390	165	670	400	670	337
MBRU 563 T4 2,2kW ATEX	425	747	1155	390	165	670	400	670	197
MBRU 631 T2 30kW ATEX	476	836	1300	439	185	750	450	750	381
MBRU 632 T2 37kW ATEX	476	836	1300	439	185	750	450	750	381
MBRU 633 T4 4kW ATEX	476	836	1300	439	185	750	450	750	197

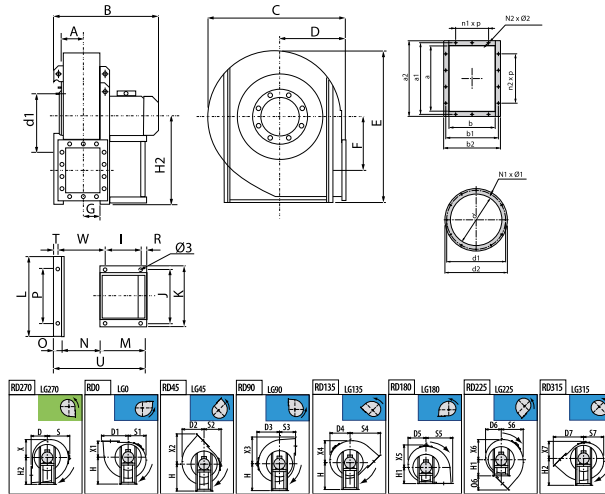
Model	J	K	L	M	N1xØ1	N2xØ2	O	O6	P
MBRU 561 T2 15kW ATEX	395	440	692	436	Nº12 M8x25	14x12	53	347	632
MBRU 562 T2 18,5kW ATEX	395	440	692	436	Nº12 M8x25	14x12	53	347	632
MBRU 563 T4 2,2kW ATEX	289	324	692	276	Nº12 M8x25	14x12	53	347	632
MBRU 631 T2 30kW ATEX	506	568	762	500	Nº12 M8x25	14x12	53	386	702
MBRU 632 T2 37kW ATEX	506	568	762	500	Nº12 M8x25	14x12	53	386	702
MBRU 633 T4 4kW ATEX	289	324	762	276	Nº12 M8x25	14x12	53	386	702

Model	R	S	S1	S2	S3	S4	S5	S6	S7
MBRU 561 T2 15kW ATEX	49	570	485	425	400	747	667	555	542
MBRU 562 T2 18,5kW ATEX	49	570	485	425	400	747	667	555	542
MBRU 563 T4 2,2kW ATEX	49	570	485	425	400	747	667	555	542
MBRU 631 T2 30kW ATEX	39	630	550	476	450	836	733	619	603
MBRU 632 T2 37kW ATEX	39	630	550	476	450	836	733	619	603
MBRU 633 T4 4kW ATEX	23	630	550	476	450	836	733	619	603

Model	T	U	W	X	X1	X2	X3	X4	X5
MBRU 561 T2 15kW ATEX	23	815	406	485	400	747	657	555	570
MBRU 562 T2 18,5kW ATEX	23	815	406	485	400	747	657	555	570
MBRU 563 T4 2,2kW ATEX	23	655	386	485	400	747	657	555	570
MBRU 631 T2 30kW ATEX	23	918	475	550	450	836	733	619	630
MBRU 632 T2 37kW ATEX	23	918	475	550	450	836	733	619	630
MBRU 633 T4 4kW ATEX	23	668	425	550	450	836	733	619	630

Model	X6	X7	a	a1	a2	b	b1	b2	d
MBRU 561 T2 15kW ATEX	542	425	453	497	533	322	366	402	455
MBRU 562 T2 18,5kW ATEX	542	425	453	497	533	322	366	402	455
MBRU 563 T4 2,2kW ATEX	542	425	453	497	533	322	366	402	455
MBRU 631 T2 30kW ATEX	603	476	507	551	587	361	405	441	505
MBRU 632 T2 37kW ATEX	603	476	507	551	587	361	405	441	505
MBRU 633 T4 4kW ATEX	603	476	507	551	587	361	405	441	505

Model	d1	d2	n1xp	n2xp	Ø3
MBRU 561 T2 15kW ATEX	497	535	2x125	3x125	14
MBRU 562 T2 18,5kW ATEX	497	535	2x125	3x125	14
MBRU 563 T4 2,2kW ATEX	497	535	2x125	3x125	12
MBRU 631 T2 30kW ATEX	551	585	2x125	3x125	20
MBRU 632 T2 37kW ATEX	551	585	2x125	3x125	20
MBRU 633 T4 4kW ATEX	551	585	2x125	3x125	12



Model	A	B	C	D	D1	D2	D3	D4	D5
MBRU 711 T2 55kW ATEX	221	880	1189	500	835	719	690	662	565
MBRU 712 T2 75kW ATEX	221	880	1189	500	835	719	690	662	565
MBRU 713 T4 5,5kW ATEX	221	880	1189	500	835	719	690	662	565
MBRU 714 T4 7,5kW ATEX	221	920	1189	500	835	719	690	662	565
MBRU 801 T2 90kW ATEX	246	1353	1342	560	929	811	782	749	641
MBRU 802 T2 110kW ATEX	246	1565	1342	560	929	811	782	749	641
MBRU 803 T4 11kW ATEX	246	1011	1342	560	929	811	782	749	641
MBRU 804 T4 15kW ATEX	246	1011	1342	560	929	811	782	749	641
MBRU 805 T6 4kW ATEX	246	906	1342	560	929	811	782	749	641
MBRU 901 T4 18,5kW ATEX	277	1146	1500	630	1038	905	870	835	721
MBRU 902 T4 30kW ATEX	277	1254	1500	630	1038	905	870	835	721
MBRU 903 T6 7,5kW ATEX	277	1065	1500	630	1038	905	870	835	721
MBRU 1001 T4 37kW ATEX	308	1318	1686	710	1171	1015	976	936	814
MBRU 1002 T4 45kW ATEX	308	1378	1686	710	1171	1015	976	936	814
MBRU 1003 T6 11kW ATEX	308	1147	1686	710	1171	1015	976	936	814
MBRU 1004 T6 15kW ATEX	308	1279	1686	710	1171	1015	976	936	814

Model	D6	D7	E	F	G	H	H1	H2	I
MBRU 711 T2 55kW ATEX	497	944	1416	500	202	670	500	850	201
MBRU 712 T2 75kW ATEX	497	944	1416	500	202	670	500	850	201
MBRU 713 T4 5,5kW ATEX	497	944	1416	500	202	670	500	850	201
MBRU 714 T4 7,5kW ATEX	497	944	1416	500	202	670	500	850	201
MBRU 801 T2 90kW ATEX	562	1053	1591	560	226	755	560	950	591
MBRU 802 T2 110kW ATEX	562	1053	1591	560	226	755	560	950	675
MBRU 803 T4 11kW ATEX	562	1053	1591	560	226	755	560	950	315
MBRU 804 T4 15kW ATEX	562	1053	1591	560	226	755	560	950	315
MBRU 805 T6 4kW ATEX	562	1053	1591	560	226	755	560	950	201

Model	D6	D7	E	F	G	H	H1	H2	I
MBRU 901 T4 18,5kW ATEX	633	1180	1781	630	253	850	630	1060	361
MBRU 902 T4 30kW ATEX	633	1180	1781	630	253	850	630	1060	401
MBRU 903 T6 7,5kW ATEX	633	1180	1781	630	253	850	630	1060	316
MBRU 1001 T4 37kW ATEX	718	1330	1994	710	284	950	710	1180	440
MBRU 1002 T4 45kW ATEX	718	1330	1994	710	284	950	710	1180	440
MBRU 1003 T6 11kW ATEX	718	1330	1994	710	284	950	710	1180	315
MBRU 1004 T6 15kW ATEX	718	1330	1994	710	284	950	710	1180	360

Model	J	K	L	M	N	N1xØ1	N2xØ2	O	O6
MBRU 711 T2 55kW ATEX	772	826	915	300	404	Nº12 M8x25	14x14	60	444
MBRU 712 T2 75kW ATEX	772	826	915	300	404	Nº12 M8x25	14x14	60	444
MBRU 713 T4 5,5kW ATEX	772	826	915	300	404	Nº12 M8x25	14x14	60	444
MBRU 714 T4 7,5kW ATEX	772	826	915	300	404	Nº12 M8x25	14x14	60	444
MBRU 801 T2 90kW ATEX	862	926	1044	690	453	Nº12 M10x30	14x14	80	493
MBRU 802 T2 110kW ATEX	862	926	1044	800	453	Nº12 M10x30	14x14	80	493
MBRU 803 T4 11kW ATEX	862	926	1044	436	453	Nº12 M10x30	14x14	80	493
MBRU 804 T4 15kW ATEX	862	926	1044	436	453	Nº12 M10x30	14x14	80	493
MBRU 805 T6 4kW ATEX	862	926	1044	336	453	Nº12 M10x30	14x14	80	493
MBRU 901 T4 18,5kW ATEX	962	1026	1144	460	507	Nº16 M10x30	16x14	80	550
MBRU 902 T4 30kW ATEX	962	1026	1144	500	507	Nº16 M10x30	16x14	80	550
MBRU 903 T6 7,5kW ATEX	962	1026	1144	436	507	Nº16 M10x30	16x14	80	550
MBRU 1001 T4 37kW ATEX	1056	1128	1254	540	569	Nº16 M10x30	14x14	100	620
MBRU 1002 T4 45kW ATEX	1056	1128	1254	540	569	Nº16 M10x30	14x14	100	620
MBRU 1003 T6 11kW ATEX	1056	1128	1254	436	569	Nº16 M10x30	14x14	100	620
MBRU 1004 T6 15kW ATEX	1056	1128	1254	460	569	Nº16 M10x30	14x14	100	620

Model	P	R	S	S1	S2	S3	S4	S5	S6
MBRU 711 T2 55kW ATEX	772	39	690	565	497	500	944	835	719
MBRU 712 T2 75kW ATEX	772	39	690	565	497	500	944	835	719

Model	P	R	S	S1	S2	S3	S4	S5	S6
MBRU 713 T4 5,5kW ATEX	772	39	690	565	497	500	944	835	719
MBRU 714 T4 7,5kW ATEX	772	39	690	565	497	500	944	835	719
MBRU 801 T2 90kW ATEX	862	39	782	641	562	560	1053	929	811
MBRU 802 T2 110kW ATEX	862	65	782	641	562	560	1053	929	811
MBRU 803 T4 11kW ATEX	862	60	782	641	562	560	1053	929	811
MBRU 804 T4 15kW ATEX	862	60	782	641	562	560	1053	929	811
MBRU 805 T6 4kW ATEX	862	75	782	641	562	560	1053	929	811
MBRU 901 T4 18,5kW ATEX	962	39	870	721	633	630	1180	1038	905
MBRU 902 T4 30kW ATEX	962	39	870	721	633	630	1180	1038	905
MBRU 903 T6 7,5kW ATEX	962	60	870	721	633	630	1180	1038	905
MBRU 1001 T4 37kW ATEX	1056	45	976	814	718	710	1330	1171	1015
MBRU 1002 T4 45kW ATEX	1056	45	976	814	718	710	1330	1171	1015
MBRU 1003 T6 11kW ATEX	1056	65	976	814	718	710	1330	1171	1015
MBRU 1004 T6 15kW ATEX	1056	45	976	814	718	710	1330	1171	1015

Model	S7	T	U	W	X	X1	X2	X3	X4
MBRU 711 T2 55kW ATEX	662	27	764	497	565	500	944	835	719
MBRU 712 T2 75kW ATEX	662	27	764	497	565	500	944	835	719
MBRU 713 T4 5,5kW ATEX	662	27	764	497	565	500	944	835	719
MBRU 714 T4 7,5kW ATEX	662	27	764	497	565	500	944	835	719
MBRU 801 T2 90kW ATEX	749	47	1223	546	641	560	1053	929	811
MBRU 802 T2 110kW ATEX	749	47	1333	546	641	560	1053	929	811
MBRU 803 T4 11kW ATEX	749	47	968	546	641	560	1053	929	811
MBRU 804 T4 15kW ATEX	749	47	968	546	641	560	1053	929	811
MBRU 805 T6 4kW ATEX	749	47	869	546	641	560	1053	929	811
MBRU 901 T4 18,5kW ATEX	835	47	1047	600	721	630	1180	1038	905
MBRU 902 T4 30kW ATEX	835	47	1087	600	721	630	1180	1038	905
MBRU 903 T6 7,5kW ATEX	835	47	1023	600	721	630	1180	1038	905
MBRU 1001 T4 37kW ATEX	936	67	1209	657	814	710	1330	1171	1015
MBRU 1002 T4 45kW ATEX	936	67	1209	657	814	710	1330	1171	1015
MBRU 1003 T6 11kW ATEX	936	67	1105	657	814	710	1330	1171	1015
MBRU 1004 T6 15kW ATEX	936	67	1129	657	814	710	1330	1171	1015

Model	X5	X6	X7	a	a1	a2	b	b1	b2
MBRU 711 T2 55kW ATEX	690	662	497	569	629	669	404	464	504
MBRU 712 T2 75kW ATEX	690	662	497	569	629	669	404	464	504
MBRU 713 T4 5,5kW ATEX	690	662	497	569	629	669	404	464	504
MBRU 714 T4 7,5kW ATEX	690	662	497	569	629	669	404	464	504
MBRU 801 T2 90kW ATEX	782	749	562	638	698	738	453	513	553
MBRU 802 T2 110kW ATEX	782	749	562	638	698	738	453	513	553

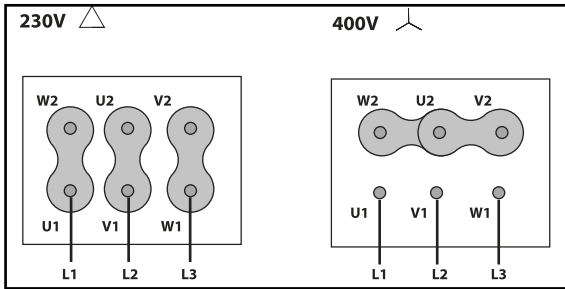
Model	X5	X6	X7	a	a1	a2	b	b1	b2
MBRU 803 T4 11kW ATEX	782	749	562	638	698	738	453	513	553
MBRU 804 T4 15kW ATEX	782	749	562	638	698	738	453	513	553
MBRU 805 T6 4kW ATEX	782	749	562	638	698	738	453	513	553
MBRU 901 T4 18,5kW ATEX	870	835	633	715	775	815	507	567	607
MBRU 902 T4 30kW ATEX	870	835	633	715	775	815	507	567	607
MBRU 903 T6 7,5kW ATEX	870	835	633	715	775	815	507	567	607
MBRU 1001 T4 37kW ATEX	976	936	718	801	871	921	569	639	689
MBRU 1002 T4 45kW ATEX	976	936	718	801	871	921	569	639	689
MBRU 1003 T6 11kW ATEX	976	936	718	801	871	921	569	639	689
MBRU 1004 T6 15kW ATEX	976	936	718	801	871	921	569	639	689

Model	d	d1	d2	n1xp	n2xp	Ø3
MBRU 711 T2 55kW ATEX	565	629	665	160	160	20
MBRU 712 T2 75kW ATEX	565	629	665	160	160	20
MBRU 713 T4 5,5kW ATEX	565	629	665	160	160	20
MBRU 714 T4 7,5kW ATEX	565	629	665	160	160	20
MBRU 801 T2 90kW ATEX	635	698	735	2x160	3x160	20
MBRU 802 T2 110kW ATEX	635	698	735	2x160	3x160	20
MBRU 803 T4 11kW ATEX	635	698	735	2x160	3x160	20
MBRU 804 T4 15kW ATEX	635	698	735	2x160	3x160	20
MBRU 805 T6 4kW ATEX	635	698	735	2x160	3x160	20
MBRU 901 T4 18,5kW ATEX	715	775	815	2x160	4x160	20
MBRU 902 T4 30kW ATEX	715	775	815	2x160	4x160	20
MBRU 903 T6 7,5kW ATEX	715	775	815	2x160	4x160	20
MBRU 1001 T4 37kW ATEX	805	861	905	2x200	3x200	20
MBRU 1002 T4 45kW ATEX	805	861	905	2x200	3x200	20
MBRU 1003 T6 11kW ATEX	805	861	905	2x200	3x200	20
MBRU 1004 T6 15kW ATEX	805	861	905	2x200	3x200	20

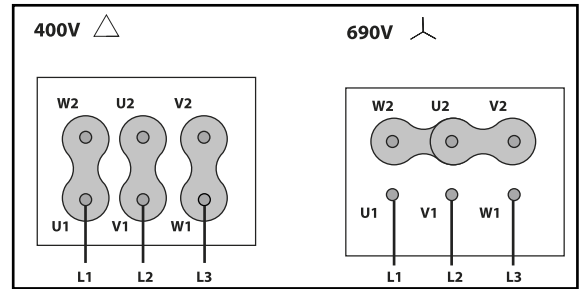
Wiring diagram

Wiring diagram N° 1

230/400V



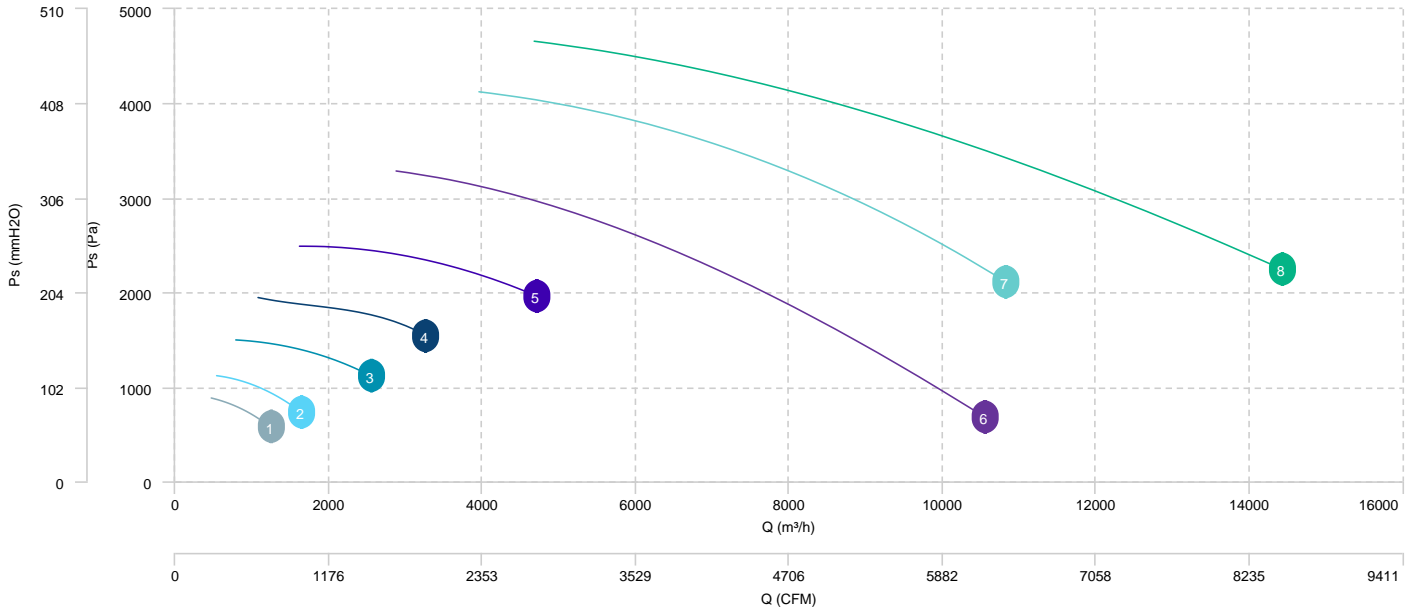
400/690V



CHARACTERISTIC CURVE

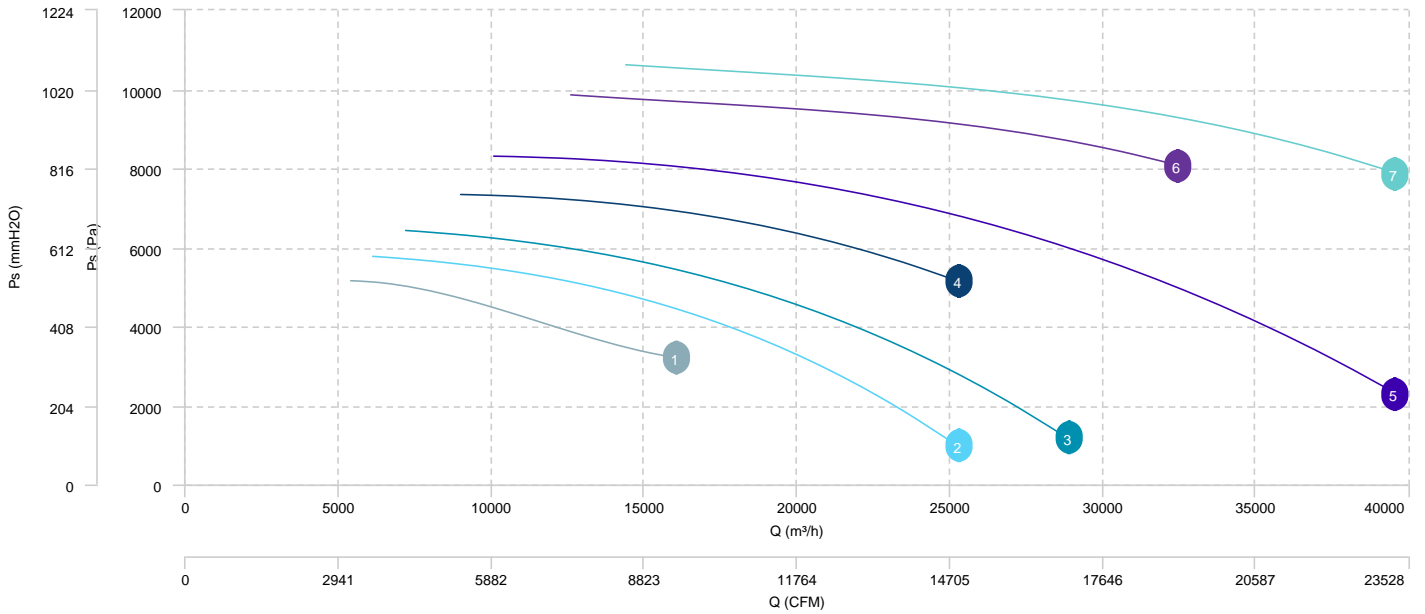
1	MBRU 250 T2 0,37kW ATEX	2	MBRU 280 T2 0,55kW ATEX	3	MBRU 310 T2 1,1kW ATEX	4	MBRU 350 T2 2,2kW ATEX
5	MBRU 400 T2 4kW ATEX	6	MBRU 450 T2 7,5kW ATEX	7	MBRU 501 T2 11kW ATEX	8	MBRU 561 T2 15kW ATEX

AIR FLOW - PRESSURE

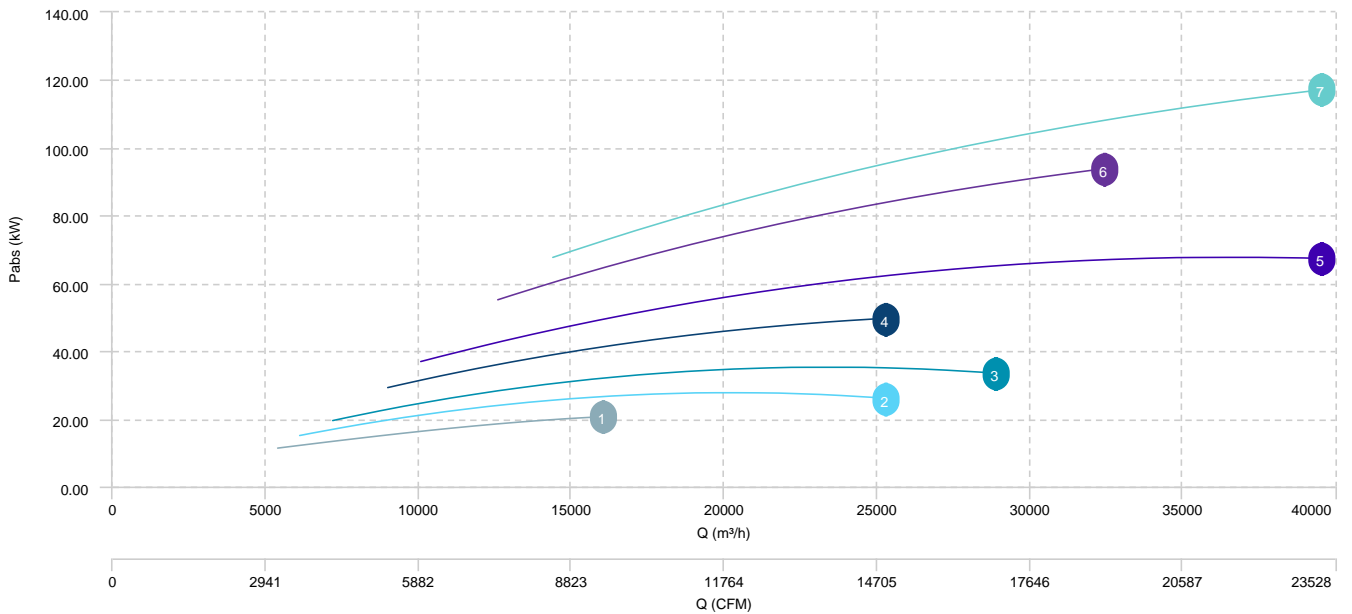


1	MBRU 562 T2 18,5kW ATEX	2	MBRU 631 T2 30kW ATEX	3	MBRU 632 T2 37kW ATEX	4	MBRU 711 T2 55kW ATEX
5	MBRU 712 T2 75kW ATEX	6	MBRU 801 T2 90kW ATEX	7	MBRU 802 T2 110kW ATEX		

AIR FLOW - PRESSURE

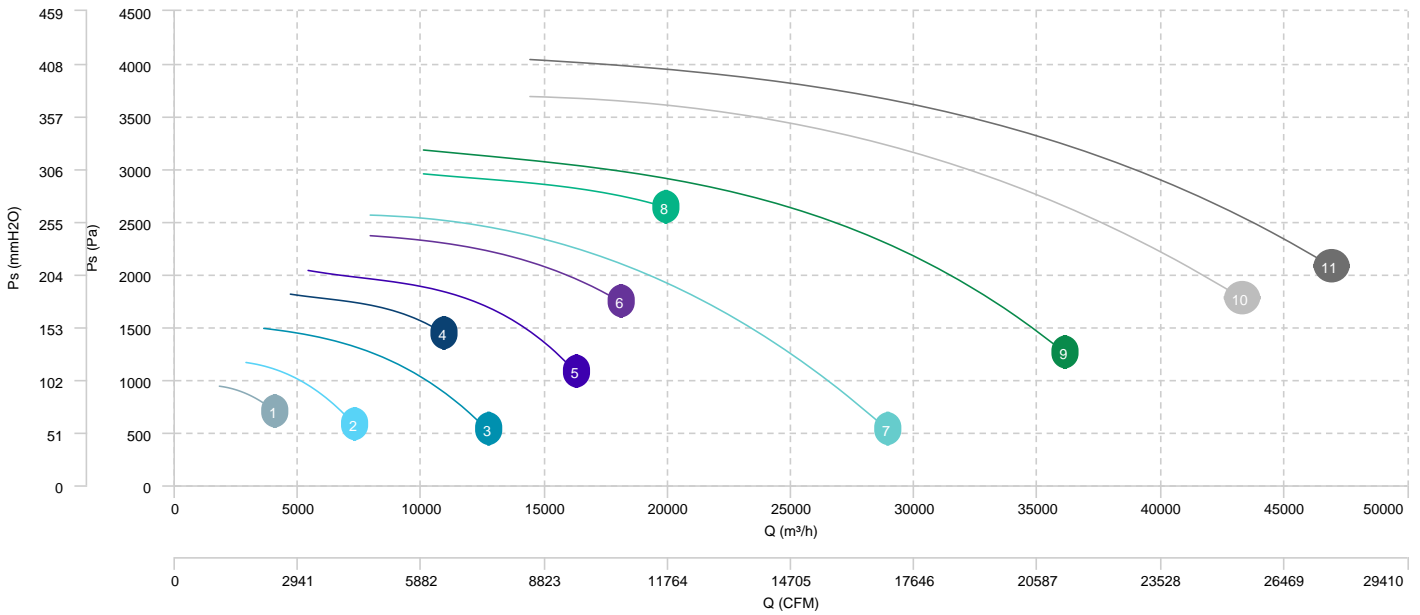


AIR FLOW - ABSORBED POWER



1	MBRU 502 T4 1,1kW ATEX	2	MBRU 563 T4 2,2kW ATEX	3	MBRU 633 T4 4kW ATEX	4	MBRU 713 T4 5,5kW ATEX
5	MBRU 714 T4 7,5kW ATEX	6	MBRU 803 T4 11kW ATEX	7	MBRU 804 T4 15kW ATEX	8	MBRU 901 T4 18,5kW ATEX
9	MBRU 902 T4 30kW ATEX	10	MBRU 1001 T4 37kW ATEX	11	MBRU 1002 T4 45kW ATEX		

AIR FLOW - PRESSURE



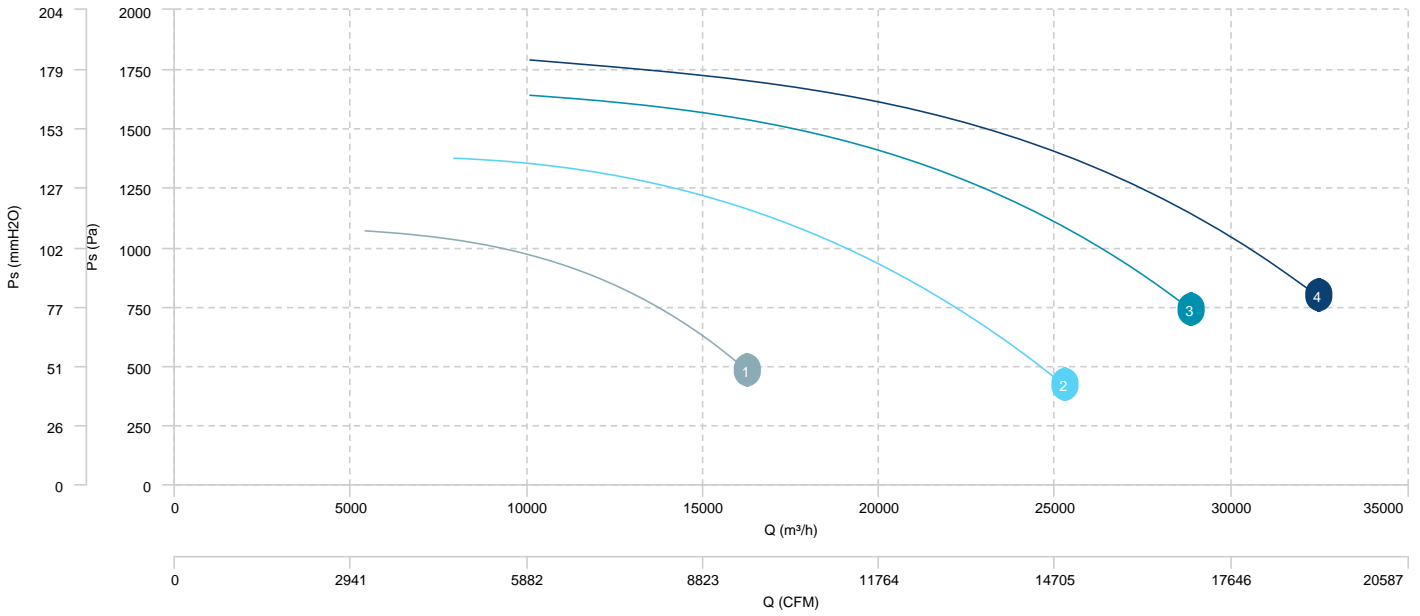
1 MBRU 805 T6 4kW ATEX

2 MBRU 903 T6 7,5kW ATEX

3 MBRU 1003 T6 11kW ATEX

4 MBRU 1004 T6 15kW ATEX

AIR FLOW - PRESSURE



Sound data

Sound / 2 poles

Sound power Lw dB (A)										
Model		63 Hz	125 Hz	250 Hz	500 Hz	1000 Hz	2000 Hz	4000 Hz	8000 Hz	Total
MBRU 250 T2 0,37kW ATEX	Inlet	47	59	66	70	71	66	60	57	75
MBRU 280 T2 0,55kW ATEX	Inlet	49	61	67	71	72	68	61	58	76
MBRU 310 T2 1,1kW ATEX	Inlet	50	62	68	72	73	69	62	59	77
MBRU 350 T2 2,2kW ATEX	Inlet	53	65	71	75	76	71	65	62	80
MBRU 400 T2 4kW ATEX	Inlet	56	68	74	78	79	75	68	65	83
MBRU 450 T2 7,5kW ATEX	Inlet	61	73	79	83	84	80	73	70	88
MBRU 501 T2 11kW ATEX	Inlet	61	73	79	83	84	80	73	70	88
MBRU 561 T2 15kW ATEX	Inlet	64	76	82	86	87	82	76	73	91
MBRU 562 T2 18,5kW ATEX	Inlet	62	74	80	84	85	81	74	71	90
MBRU 631 T2 30kW ATEX	Inlet	69	81	88	92	93	88	81	78	97
MBRU 632 T2 37kW ATEX	Inlet	69	81	87	91	92	88	81	78	96
MBRU 711 T2 55kW ATEX	Inlet	69	81	88	92	93	88	82	79	97
MBRU 712 T2 75kW ATEX	Inlet	71	83	90	94	95	90	84	81	99
MBRU 801 T2 90kW ATEX	Inlet	70	82	88	92	93	89	82	79	97
MBRU 802 T2 110kW ATEX	Inlet	73	85	92	96	97	92	86	83	101

Sound / 4 poles

Sound power Lw dB (A)										
Model		63 Hz	125 Hz	250 Hz	500 Hz	1000 Hz	2000 Hz	4000 Hz	8000 Hz	Total
MBRU 502 T4 1,1kW ATEX	Inlet	49	61	68	72	73	68	61	58	77
MBRU 563 T4 2,2kW ATEX	Inlet	51	63	70	74	75	70	64	61	79
MBRU 633 T4 4kW ATEX	Inlet	53	65	72	76	77	72	66	63	81
MBRU 713 T4 5,5kW ATEX	Inlet	54	66	72	76	77	73	66	63	81
MBRU 714 T4 7,5kW ATEX	Inlet	58	70	76	80	81	77	70	67	85
MBRU 803 T4 11kW ATEX	Inlet	56	68	74	78	79	75	68	65	84
MBRU 804 T4 15kW ATEX	Inlet	60	72	79	83	84	79	73	70	88
MBRU 901 T4 18,5kW ATEX	Inlet	57	69	75	79	80	75	69	66	84
MBRU 902 T4 30kW ATEX	Inlet	63	75	81	85	86	81	75	72	90
MBRU 1001 T4 37kW ATEX	Inlet	64	76	82	87	87	83	76	73	92
MBRU 1002 T4 45kW ATEX	Inlet	64	76	83	87	88	83	76	73	92

Sound / 6 poles

Sound power Lw dB (A)										
Model		63 Hz	125 Hz	250 Hz	500 Hz	1000 Hz	2000 Hz	4000 Hz	8000 Hz	Total
MBRU 805 T6 4kW ATEX	Inlet	52	64	71	75	76	71	65	62	80
MBRU 903 T6 7,5kW ATEX	Inlet	53	65	72	76	77	72	66	63	81
MBRU 1003 T6 11kW ATEX	Inlet	57	69	75	79	80	75	69	66	84
MBRU 1004 T6 15kW ATEX	Inlet	57	69	75	79	80	76	69	66	84