

Assiali compatti

Ø 80mm ... Ø172mm

Compact cooling fans
Ø 80 mm ... Ø172mm

Ventilateurs compacts
Ø 80 mm ... Ø172mm

Kompaktventilatoren
Ø 80 mm ... Ø172mm



Compatti

Compact Fans

Ventilateurs Compacts

Kompaktventilatoren

MOTORE :

2 poli a poli schermati
o a condensatore

CARCASSA :

In alluminio pressofuso , verniciata
di nero

VENTOLA :

In materiale plastico PBT + 30%
fibra di vetro , UL94V-0

CONNESSIONE

n° 2 faston 2,8 x 0,5 mm o
cavo da 300mm

VOLTAGGI :

230V - 50/60Hz. (207V - 244V)
115V- 50/60Hz. (90V - 127V)
24V DC (20,4V - 27,8V)
12V DC (10,2V - 13,8V)

PROTEZIONE : IP40 / IP55

ISOLAMENTO : " B "

TEMPERATURA DI UTILIZZO :

da -10° C a +70° C per bronzine
da -20° C a +80° C per cuscinetti

FUNZIONALITA' : (S1)

Continua in tutte le posizioni

MARCATURA : CE

In accordo a EN 60335.1

MOTOR :

2 pole shaded pole or
PSC version

HOUSING :

Die-casting aluminium , black
painted

IMPELLER :

Thermoplastic PBT + 30% fiber
glass UL94V-0

CONNECTION

n° 2 terminals 2,8 x 0,5 or
2 leads 300mm

VOLTAGE RANGE :

230V - 50/60Hz. (207V - 244V)
115V- 50/60Hz. (90V - 127V)
24V DC (20,4V - 27,8V)
12V DC (10,2V - 13,8V)

PROTECTION : IP40 / IP55

INSULATION : " B "

TEMPERATURE RANGE :

From -10° C to +70° C sleeve bearing
From -20° C to +80° C ball bearing

OPERATION : (S1)

Continuous in all positions

MARKING : CE

According to EN 60335.1

MOTEUR :

2 pôles " shaded pole "
ou à condensateur

CARCASSE :

Pressofusion d' aluminium
vernies en noir

HELICE :

Plastique PBT + 30% de fibre
de verre UL94V-0

CONNECTION

n° 2 cosses 2,8 x 0,5 ou
câbles 300 mm

VOLTAGE :

230V - 50/60Hz. (207V - 244V)
115V- 50/60Hz. (90V - 127V)
24V DC (20,4V - 27,8V)
12V DC (10,2V - 13,8V)

PROTECTION : IP40 / IP55

ISOLATION : " B "

TEMPERATURE D'EXERCICE :

de -10° C à +70° C paliers
de -20° C à +80° C roulement

TRAVAIL : (S1)

Continu en toute position

MARQUAGE : CE

En accord avec EN 60335.1

MOTOR :

2 polige Spaltpolmotoren
oder Kondensatormotoren

VENTILATORGEHAUSE :

Druckguß Wandring Aluminium
schwarz Einbrennlackiert

AXIALLÜFTERRAD :

Kunststharzpreßstoff PBT+30%
Glasfaser UL 94V-0

NETZANSCHLUß :

Flachstecker 2,8x0,5 oder Kabel
300mm lang

SPANNUNG :

230V - 50/60Hz. (207V - 244V)
115V- 50/60Hz. (90V - 127V)
24V DC (20,4V - 27,8V)
12V DC (10,2V - 13,8V)

SCHUTZART : IP40

ISOLATIONSKLASSE : " B "

TEMPERATUR BEREICH :

Von -10° C bis +70° C Gleitlager
Von -20° C bis +80° C Kugellager

BETRIEBSART : (S1)

Fortdauernd in den allen Lagen

ZULASSUNGEN : CE

Abkommen mit EN 60335.1



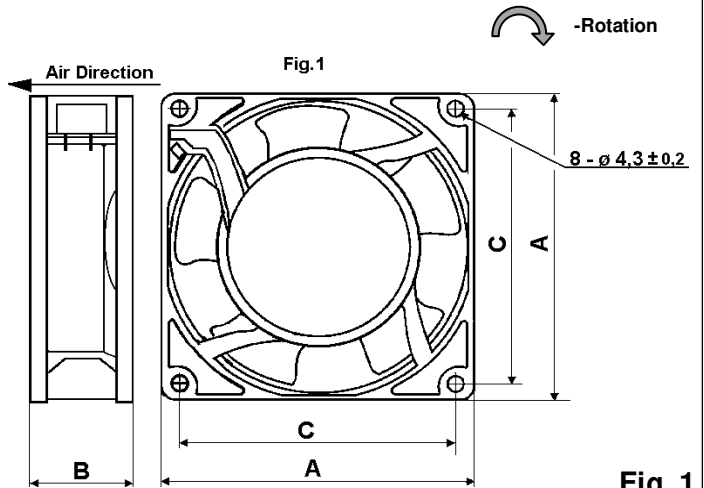
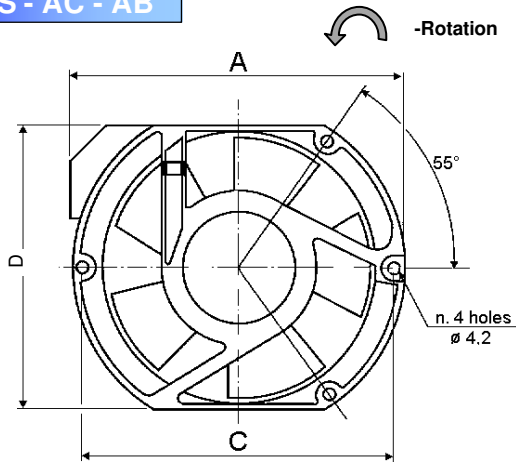
Assiali Compatti

Compact cooling fans

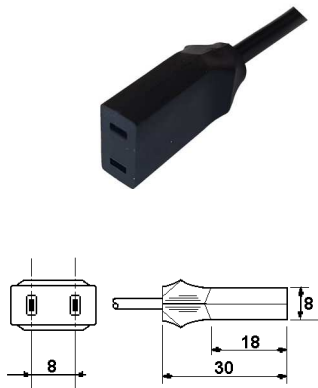
Ventilateurs compacts

Kompaktventilatoren

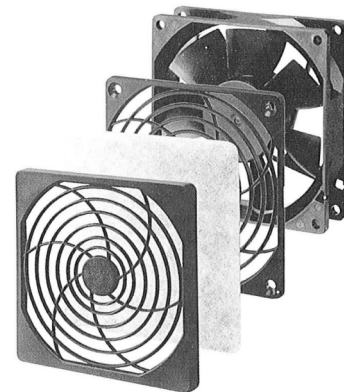
Serie AS - AC - AB



Accessori



054.200M.0000

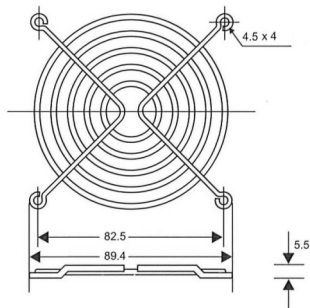


Filtro, e reti in plastica

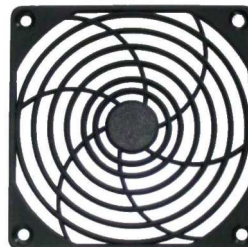
Accessori - Reti



036.ASPL.0080



036.ASAC.0092



036.ASPL.0119



036.ASPL.0172

Assiali Compatti

Compact cooling fans

Ventilateurs compacts

Kompaktventilatoren

Serie AC/AS ... : 230V - 50/60Hz - marcati C classe B, in accordo a EN.60335.1

CODE	Electric data					Dimensions			Airflow	Noise	Connection	Bearing	Fig.											
	A. 50Hz / 60Hz	W_{in} 50Hz / 60Hz	RPM 50Hz / 60Hz	Protection Electric	IP	A	B	C	max. m ³ /h 50Hz/60Hz	dB(A) 50Hz/60Hz														
AS 8025 BR . . C Y	0,06	12	2400/2900	Imped.	40	80	25,5	71,5	29/36	29/33	Cable	Sleeve	1											
AS 8025 BR . . T Y											Terminal													
AS 8038 BR . . C Y	0,08	11	2100/2200	Imped.	40	80	38,5	71,5	34/39	30/31	Cable	Sleeve	1											
AS 8038 BR . . T Y H											Terminal													
AS 8038 CU . . C Y	0,08	11	2100/2200	Imped.	40	80	38,5	71,5	34/39	30/31	Cable	Ball	1											
AS 8038 CU . . T Y											Terminal													
AS 9225 BR . . C Y	0,07/0,06	14	2300/2800	Imped.	40	92	25,5	82,5	48/54	36/38	Cable	Sleeve	1											
AS 9225 BR . . Y Y											Terminal													
AS 9238 BR . . C Y	0,07	13/11	2100/2400	Imped.	40	92	38,5	82,5	76/81	36/39	Cable	Sleeve	1											
AS 9238 BR . . T Y H					55						Terminal													
AS 9238 CU . . C Y					40						Cable													
AS 9238 CU . . T Y											Terminal													
AS 11925 BR . . C Y	0,10	14	2300/2800	Imped.	40	119	25,5	104	112/132	42/43	Cable	Sleeve	1											
AS 11925 BR . . T Y											Terminal													
AS 11925 CU . . C Y											40			Cable										
AS 11925 CU . . T Y														Terminal										
AS 11938 BR . . C Y	0,12/0,10	20/16	2650/3100	Imped.	40	119	38,5	104	142/150	43/48	Cable	Sleeve	1											
AS 11938 BR . . T Y											Terminal													
AS 11938 CU 2 T Y H											55			0,08/0,07	13/12	2400/2300	119	38,5	104	138/133	36/34	Terminal	Ball	1
AS 11938 CU 3 T Y H														0,06/0,05	10/9	2100/1600				118/95	35/32			
AS 11938 CU 4 T Y H	0,11/0,10	18/16	2600/2850	144/148	43/46																			
AC 17251 CU 7 C Y H	0,10	23/24	2700/3100	Therm.	55	172	51	162	336/390	53/59	Cable	Ball	2											
AC 17251 CU 1 T Y H	0,11/0,14	30	2800/3350					324/400	55/59	Terminal														

CU = Ball bearing; BR = Sleeve bearing

8025 = 80x80x25; 8038 = 80x80x38; 9225 = 92x92x25; 9238 = 92x92x38;
11925 = 119x119x25; 11938 = 119x119x38; 17238 = 172x151x38; 17251 = 172x151x51

AB - Brushless fan motor; AC - Capacitor fan motor; AS - Shaded Pole fan motor

Serie AB in corrente continua: marcati C classe B, in accordo a EN.60335.1

CODE	Electric data					Dimensions				Airflow	Noise	Fig.
	V.	A.	W_{in}	RPM	Prot.	A	B	C	D	max m3/h	dB(A)	
AB 8025 BR 1 . . R	12	0,20	2,40	3000	-	80	25,5	71,5	-	68	35	1
AB 8025 BR 1 . . S	24	0,13	3,12	3000								
AB 9225 BR 1 . . R	12	0,24	2,88	3200	-	92	25,5	82,5	-	104	40	1
AB 9225 BR 1 . . S	24	0,18	4,32	3000								
AB 11925 BR 1 C . R	12	0,33	3,96	3000	-	120	25,5	105	-	153	50	1
AB 11925 BR 1 C . S	24	0,24	5,86	3000								
AB 11938 BR 1 C . R	12	1,07	12,84	4200	-	120	38	105	-	245	55,1	1
AB 11938 BR 1 C . S	24	0,40	9,60	2800								



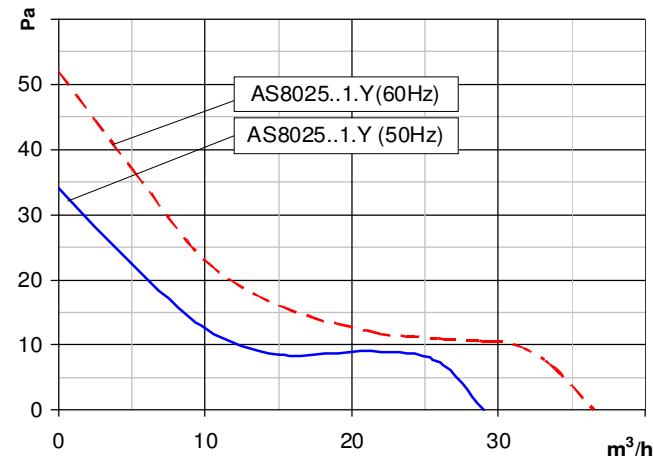
Curve di portata

Performance curves

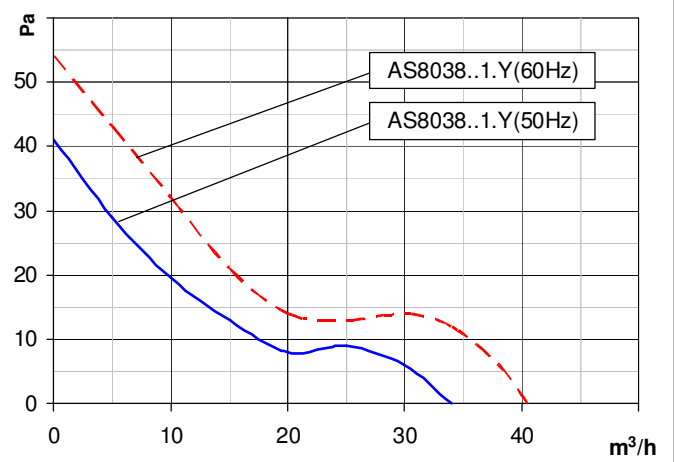
Courbes de débit

Luftleistungskennlinien

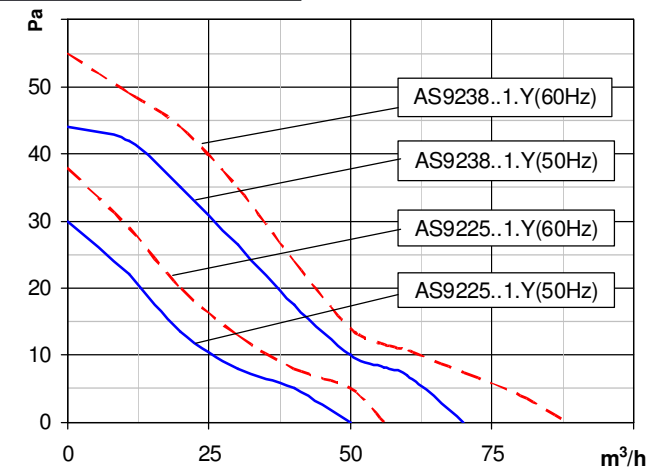
AS8025 ...



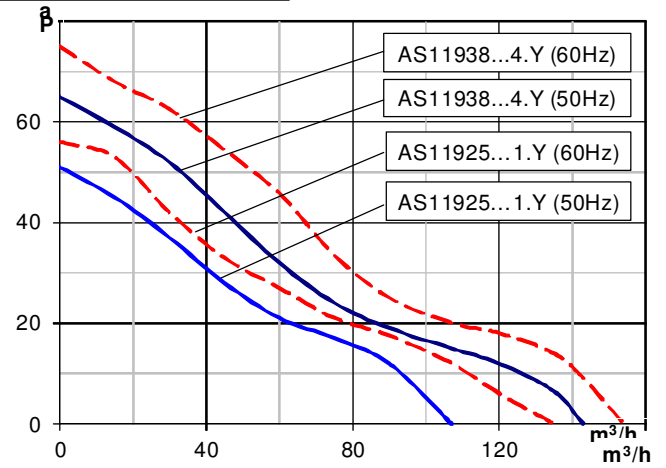
AS8038 ...



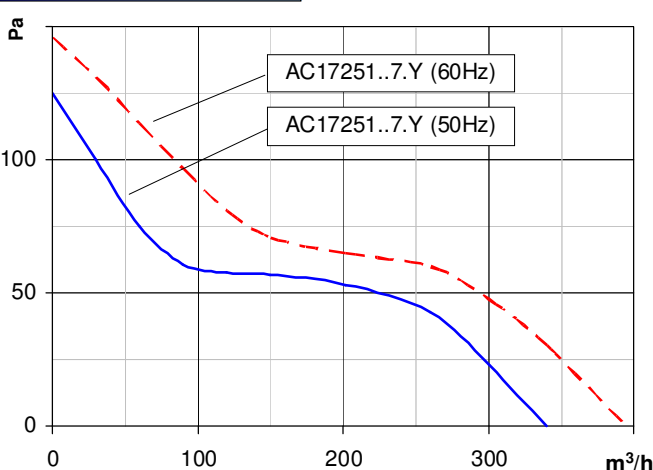
AS9225 .. AS9238 ..



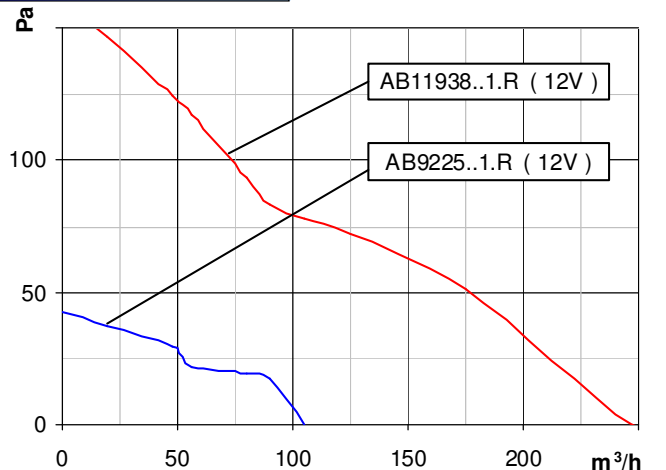
AS11925 .. AS11938



AC17251 ...



AB9225/11938... 12V



Tutti i dati di questo catalogo sono indicativi e possono essere variati senza preavviso. All data are indicative and may change without notice.

