

**NIMAX**



**BACKWARD CENTRIFUGAL FAN, FOR CLEAN OR SLIGHTLY DUSTY AIR**

**MANUFACTURING FEATURES**

- Medium pressure centrifugal fan with direct coupling.
- Reinforced housing made of carbon laminated steel, protected against corrosion by powder coating polyester resin RAL 5010. Finish C3.
- Casing fully latched and adjustable.
- Self-cleaning turbine and reinforced impeller with high-performance backward (reaction) blades made of carbon laminated steel dynamically balanced to minimize noise and vibrations. Black painted RAL 9005
- The size of the centrifugal impeller and casing is larger than a NIMUS , which increases the performance of the unit.
- Squirrel cage standardized asynchronous IEC motor with IP-55 protection and class F electrical insulation. Standard voltages 230/400V 50Hz for three-phase motors up to 4kW and 400/690V 50Hz for higher powers.
- Motor with feet (B3) supported on motor support foot.
- Models of size 500 and above are supplied with a front support foot, for the other models the front support foot is optional.
- Available in the following orientations (to be indicated in case of order): LG0, LG45, LG90, LG135, LG180; LG225, LG270, LG315, RD0, RD45, RD90, RD135, RD180; RD225, RD270, RD315.
- Maximum working temperature in continuous: air transported: 130°C, Environment: 60°C.

**Accessories**



**APPLICATIONS**

Suitable for moving clean or dusty air. Designed to be installed in conduit for suction or impulsion.

- Paint booths.
- Collection of dust.
- Food industry dryers.
- Food processing.
- Incineration.
- Odor control in industry.
- Indoor / outdoor pollution control.
- Big buildings.
- Malls.
- Factories / Industrial buildings.
- Warehouses.
- Extraction of smoke.
- Boilers and ovens.
- Manufacture and treatment of chemical products.
- Tunnels, underground stations.

**ON DEMAND**

- Fans for special voltages.
- 2 speed motor.
- C4 or C5 coating painting
- Hot dip galvanized
- Inox 304 (normal or electropolished finish)
- Inox 316 (normal or electropolished finish)
- Cooling wheel
- Anticaloric paint
- Fully welded housing (waterproof)
- Inspection door to facilitate maintenance and cleaning
- Drain plug.
- Airtight axle
- Non-sparking air passage and standard motor

· Other brands of motors.

## Technical data

### Three-phase motor / 2 poles

Code	Model	R.P.M.	Rated I. A		Rated power kW	Max. Airflow m <sup>3</sup> /h	Sound db (A)**	Weight kg	Connect. diagram
			230V	400V					
NX314290	NIMAX 314 T2 1,5kW	2865	5,83	3,14	1,50	5.510	60	36,89	1
NX3542100	NIMAX 354 T2 3kW	2880	10,3	5,92	3,00	7.880	64	50,47	1
NX4042132	NIMAX 404 T2 5,5kW	2910	-	10,6	5,50	11.270	67	75,16	1
NX4542132	NIMAX 454 T2 11kW	2940	-	20,8	11,00	16.040	71	90,43	1
NX5042160	NIMAX 504 T2 15kW	2935	-	27,4	15,00	22.010	74	116,85	1

### Three-phase motor / 4 poles

Code	Model	R.P.M.	Rated I. A		Rated power kW	Max. Airflow m <sup>3</sup> /h	Sound db (A)**	Weight kg	Connect. diagram
			230V	400V					
NX314471	NIMAX 314 T4 0,37kW	1370	1,86	1,07	0,37	2.760	45	36,04	1
NX354471	NIMAX 354 T4 0,37kW	1370	1,86	1,07	0,37	3.940	49	45,26	1
NX404480	NIMAX 404 T4 0,55kW	1440	2,57	1,49	0,55	5.640	52	57,89	1
NX454490	NIMAX 454 T4 1,1kW	1450	4,33	2,49	1,10	8.020	56	72,87	1
NX5044100	NIMAX 504 T4 2,2kW	1435	8,07	4,64	2,20	11.010	59	97,23	1
NX5644100	NIMAX 564 T4 3kW	1420	10,7	6,17	3,00	15.460	63	126,18	1
NX6344132	NIMAX 634 T4 5,5kW	1460	-	10,5	5,50	22.010	66	170,69	1
NX7144160	NIMAX 714 T4 11kW	1455	-	21,2	11,00	31.500	70	222,65	1
NX8044180	NIMAX 804 T4 18,5kW	1470	-	35,6	18,50	45.060	73	279,93	1
NX9044225	NIMAX 904 T4 37kW	1470	-	69,2	37,00	64.160	77	382,71	1
NX10044250	NIMAX 1004 T4 55kW	1475	-	97,1	55,00	88.010	80	464,82	1

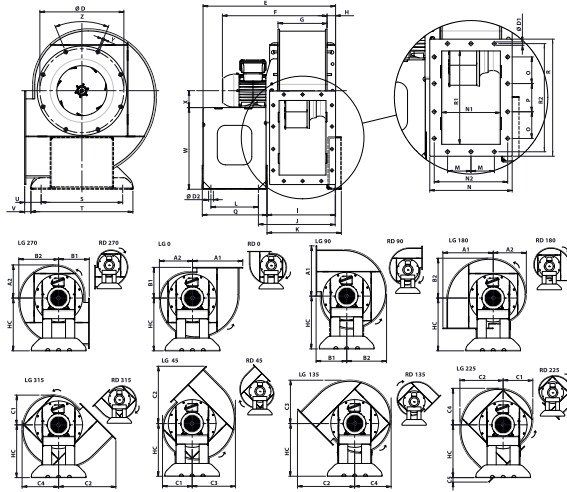
### Three-phase motor / 6 poles

Code	Model	R.P.M.	Rated I. A		Rated power kW	Max. Airflow m <sup>3</sup> /h	Sound db (A)**	Weight kg	Connect. diagram
			230V	400V					
NX504680	NIMAX 504 T6 0,55kW	900	3,00	1,8	0,55	7.340	50	90,72	1
NX564690	NIMAX 564 T6 1,1kW	925	4,83	2,78	1,10	10.310	54	119,71	1
NX6346112	NIMAX 634 T6 2,2kW	965	10,3	5,94	2,20	14.680	57	156,23	1
NX7146132	NIMAX 714 T6 3kW	960	12,7	7,3	3,00	21.000	61	209,71	1
NX8046132	NIMAX 804 T6 5,5kW	960	-	12,8	5,50	30.040	65	262,16	1
NX9046160	NIMAX 904 T6 11kW	965	-	22,6	11,00	42.780	68	342,35	1
NX10046200	NIMAX 1004 T6 18,5kW	975	-	35,7	18,50	58.680	71	450,85	1

**Notes:**

\*\* Total sound pressure level at the point of maximum flow measured in dB(A) in the suction measured in free field at a distance of 6m from the source

## Dimensions



Model	A1	A2	B1	B2	C1	C2	C3	C4	C5
NIMAX 314 T2 1,5kW	396	260.7	241.3	314. 1000000 0000002	234	450.6	340.8	287. 3999999 9999998	35
NIMAX 314 T4 0,37kW	396	260.7	241.3	314. 1000000 0000002	234	450.6	340.8	287. 3999999 9999998	35
NIMAX 354 T2 3kW	441.8	292. 3999999 9999998	266.2	352.6	262.3	500.6	382.7	322.5	40
NIMAX 354 T4 0,37kW	441.8	292. 3999999 9999998	266.2	352.6	262.3	500.6	382.7	322.5	40
NIMAX 404 T2 5,5kW	493	328.2	294.3	396.1	294.3	556. 7000000 0000005	430.1	362.2	46.1
NIMAX 404 T4 0,55kW	493	328.2	294.3	396.1	294.3	556. 7000000 0000005	430.1	362.2	46.1
NIMAX 454 T2 11kW	549. 2999999 9999995	367.7	325. 3999999 9999998	444	329.6	618.5	482.2	405.9	47.9
NIMAX 454 T4 1,1kW	549. 2999999 9999995	367.7	325. 3999999 9999998	444	329.6	618.5	482.2	405.9	47.9

Model	D	D1	D2	E	F	G	H	HC	I
NIMAX 314 T2 1,5kW	354.5	11.5	20	582	531.5	230	35.6	415.6	312
NIMAX 314 T4 0,37kW	354.5	11.5	20	582	465.5	230	35.6	415.6	312

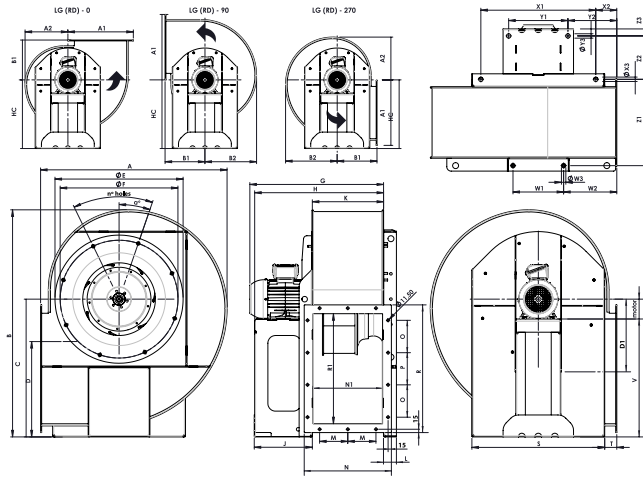
Model	D	D1	D2	E	F	G	H	HC	I
NIMAX 354 T2 3kW	394.5	11.5	20	620. 7000000 0000005	593.1	259	35.4	460.6	378.4
NIMAX 354 T4 0,37kW	394.5	11.5	20	620. 7000000 0000005	496	259	35.4	460.6	378.4
NIMAX 404 T2 5,5kW	438	11.5	20	731.9	682.5	290	35.6	510.6	417
NIMAX 404 T4 0,55kW	438	11.5	20	651.9	543	290	35.6	510.6	409.4
NIMAX 454 T2 11kW	485	11.5	20	900.1	753	325	48.5	570.6	469.8
NIMAX 454 T4 1,1kW	485	11.5	20	700	623.5	325	48.5	570.6	469.8

Model	J	K	L	M	N	N1	N2	O	P
NIMAX 314 T2 1,5kW	347	336.5	200	90.6	301.5	221	271. 1000000 0000002	90	95
NIMAX 314 T4 0,37kW	347	336.5	200	90.6	301.5	221	271. 1000000 0000002	90	95
NIMAX 354 T2 3kW	340.8	365.4	205	104.9	329.8	250	299.8	105	105
NIMAX 354 T4 0,37kW	340.8	365.4	205	104.9	329.8	250	299.8	105	105
NIMAX 404 T2 5,5kW	371.2	395.6	270	120.6	361.1	281	331.1	120	120
NIMAX 404 T4 0,55kW	372	396.4	205	120.6	361.1	281	331.1	120	120
NIMAX 454 T2 11kW	426.4	460.9	385	128	396	316	366	130	130
NIMAX 454 T4 1,1kW	426.4	460.9	185	128	396	316	366	130	130

Model	Q	R	R1	R2	S	T	U	V	W
NIMAX 314 T2 1,5kW	272. 8999999 9999998	395	315	365	344	430	69.3	26.3	325. 6000000 0000002
NIMAX 314 T4 0,37kW	272. 8999999 9999998	395	315	365	344	430	69.3	26.3	344.6
NIMAX 354 T2 3kW	282. 8999999 9999998	435	355	405	397	473	67.7	29.7	360.6
NIMAX 354 T4 0,37kW	282. 8999999 9999998	435	355	405	397	473	67.7	29.7	389.6
NIMAX 404 T2 5,5kW	364.7	480	400	450	416	473	86.3	57.8	378.6
NIMAX 404 T4 0,55kW	282. 8999999 9999998	480	400	450	397	473	95.8	57.8	430.6
NIMAX 454 T2 11kW	464.7	530	450	500	487	563	81. 9000000 0000000 6	43.9	438.6

Model	Q	R	R1	R2	S	T	U	V	W
NIMAX 454 T4 1,1kW	264. 6000000 0000002	530	450	500	487	563	126.9	43.9	480.6

Model	X	Y	Z
NIMAX 314 T2 1,5kW	90	M8	8holes x45°
NIMAX 314 T4 0,37kW	71	M8	8holes x45°
NIMAX 354 T2 3kW	100	M8	8holes x45°
NIMAX 354 T4 0,37kW	71	M8	8holes x45°
NIMAX 404 T2 5,5kW	132	M8	8holes x45°
NIMAX 404 T4 0,55kW	80	M8	8holes x45°
NIMAX 454 T2 11kW	132	M8	8holes x45°
NIMAX 454 T4 1,1kW	90	M8	8holes x45°



Model	A	A1	A2	B	B1	B2	C	D	D1
NIMAX 504 T2 15kW	847.3	606	406	1031.52	356.6	490.7	625.62	309. 6000000 0000002	316
NIMAX 504 T4 2,2kW	847.3	606	406	1031.52	356.6	490.7	625.62	309. 6000000 0000002	316

Model	A	A1	A2	B	B1	B2	C	D	D1
NIMAX 504 T6 0,55kW	847.3	606	406	1031.52	356.6	490.7	625.62	309. 6000000 0000002	316
NIMAX 564 T4 3kW	942.5	674	453.5	1148. 5999999 999999	394	548.5	695.1	341.1	354
NIMAX 564 T6 1,1kW	942.5	674	453.5	1148. 5999999 999999	394	548.5	695.1	341.1	354
NIMAX 634 T4 5,5kW	1053.5	753.3	509	1284	437.6	615.9	775	376.8	398
NIMAX 634 T6 2,2kW	1053.5	753.3	509	1284	437.6	615.9	775	376.8	398
NIMAX 714 T4 11kW	1180.3	843.7	572.4	1437.5	487.5	692.8	865.1	416.4	449
NIMAX 714 T6 3kW	1180.3	843.7	572.4	1437.5	487.5	692.8	865.1	416.4	449
NIMAX 804 T4 18,5kW	1323.1	945.7	643. 7999999 9999995	1609	543.6	779.5	965	459.4	506
NIMAX 804 T6 5,5kW	1323.1	945.7	643. 7999999 9999995	1609	543.6	779.5	965	459.4	506
NIMAX 904 T4 37kW	1481.7	1059	723	1813	606	875.5	1090	521. 2000000 0000005	570
NIMAX 904 T6 11kW	1481.7	1059	723	1813	606	875.5	1090	521. 2000000 0000005	570
NIMAX 1004 T4 55kW	1640	1172	802	2002	668.2	971.8	1200	168	633
NIMAX 1004 T6 18,5kW	1640	1172	802	2002	668.2	971.8	1200	168	633

Model	E	F	G (±)	H	HC	J	K	L	M
NIMAX 504 T2 15kW	582	535	906	854.5	625.5	494	359.5	59	146
NIMAX 504 T4 2,2kW	582	535	691.5	682	625.5	324.5	359.5	59	146
NIMAX 504 T6 0,55kW	582	535	595.5	591.5	625.5	234	359.5	59	146
NIMAX 564 T4 3kW	650	608	733.5	725	694.1	326. 3999999 9999998	401.5	59	167
NIMAX 564 T6 1,1kW	650	608	684.4	664.5	694.1	264	401.5	59	167
NIMAX 634 T4 5,5kW	710	675	878.2	843	775.1	395.5	450.5	59	191.5
NIMAX 634 T6 2,2kW	710	675	786.8	778.5	775.1	331	450.5	59	191.5
NIMAX 714 T4 11kW	826	755	1047	1000.5	865.1	496	507.5	59	210
NIMAX 714 T6 3kW	826	755	922	900	865.1	395.5	507.5	59	210
NIMAX 804 T4 18,5kW	930	845	1165.7	1098	965.1	531.5	569.5	59	231
NIMAX 804 T6 5,5kW	930	845	982.5	962	965.1	395.5	569.5	59	231
NIMAX 904 T4 37kW	1065	987	1308.2	1224.5	1090. 0999999 999999	587	640.5	69	256.5



Model	E	F	G (±)	H	HC	J	K	L	M
NIMAX 904 T6 11kW	1065	987	1184. 5999999 9999999	1133.5	1090. 0999999 9999999	496	640.5	69	256.5
NIMAX 1004 T4 55kW	1172	1093	1549.5	1394.5	1200	686	711.5	69	292
NIMAX 1004 T6 18,5kW	1172	1093	1408.2	1295.5	1200	587	711.5	69	292

Model	N	N1	O	P	R	R1	S	T	V
NIMAX 504 T2 15kW	432	352	147	146	580	500	603	55	465.62
NIMAX 504 T4 2,2kW	432	352	147	146	580	500	603	55	525.62
NIMAX 504 T6 0,55kW	432	352	147	146	580	500	603	55	545.62
NIMAX 564 T4 3kW	474	394	165	170	640	560	673.4	57.3	595.1
NIMAX 564 T6 1,1kW	474	394	165	170	640	560	673.4	57.3	605.1
NIMAX 634 T4 5,5kW	523.25	443	190	190	710	630	754.4	60.4	643
NIMAX 634 T6 2,2kW	523.25	443	190	190	710	630	754.4	60.4	663
NIMAX 714 T4 11kW	579. 7000000 0000005	500	210	210	790	710	847.4	63.8	705.1
NIMAX 714 T6 3kW	579. 7000000 0000005	500	210	210	790	710	847.4	63.8	733.1
NIMAX 804 T4 18,5kW	642. 2999999 9999995	562	233	234	880	800	951.5	67. 9000000 0000000 6	785
NIMAX 804 T6 5,5kW	642. 2999999 9999995	562	233	234	880	800	951.5	67. 9000000 0000000 6	833
NIMAX 904 T4 37kW	713	633	260	260	980	800	1081. 4000000 000001	65.2	865
NIMAX 904 T6 11kW	713	633	260	260	980	800	1081. 4000000 000001	65.2	930
NIMAX 1004 T4 55kW	784	704	293	294	1080	1000	1201. 4000000 000001	67.5	950
NIMAX 1004 T6 18,5kW	784	704	293	294	1080	1000	1201. 4000000 000001	67.5	1000

Model	W1	W2	W3	X1	X2	X3	Y1	Y2	Y3
NIMAX 504 T2 15kW	230	241.6	20	522	95.6	20	431.2	141	20
NIMAX 504 T4 2,2kW	230	241.6	20	522	95.6	20	339.5	186.7	20
NIMAX 504 T6 0,55kW	230	241.6	20	522	95.6	20	269.2	222	20
NIMAX 564 T4 3kW	250	269	20	592	98	20	339.8	224.1	20

Model	W1	W2	W3	X1	X2	X3	Y1	Y2	Y3
NIMAX 564 T6 1,1kW	250	269	20	592	98	20	269.2	259. 3999999 9999998	20
NIMAX 634 T4 5,5kW	330	272. 6000000 0000002	20	673	101.1	20	369.8	252.7	20
NIMAX 634 T6 2,2kW	330	272. 6000000 0000002	20	673	101.1	20	339.8	267.7	20
NIMAX 714 T4 11kW	350	312.5	20	766	104.5	20	431.2	271. 8999999 9999998	20
NIMAX 714 T6 3kW	350	312.5	20	766	104.5	20	369.8	302. 6000000 0000002	20
NIMAX 804 T4 18,5kW	450	318. 6000000 0000002	20	870	108.6	20	461.2	313	20
NIMAX 804 T6 5,5kW	450	318. 6000000 0000002	20	870	108.6	20	369.8	358.7	20
NIMAX 904 T4 37kW	510	351	20	1000	106	20	571	320.3	20
NIMAX 904 T6 11kW	510	351	20	1000	106	20	431.2	390.3	20
NIMAX 1004 T4 55kW	600	368.2	20	1120	108.2	20	621	357.6	20
NIMAX 1004 T6 18,5kW	600	368.2	20	1120	108.2	20	571	382.6	20

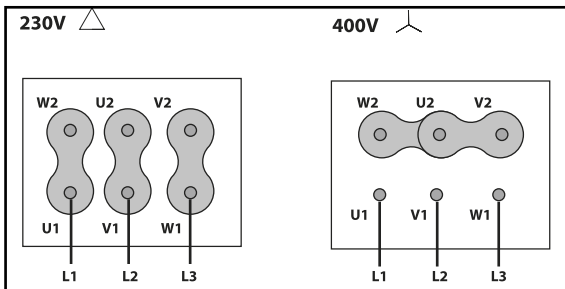
Model	Z1	Z2	Z3	a°	motor	n°holes
NIMAX 504 T2 15kW	428	427	20	19°	160	8x45°
NIMAX 504 T4 2,2kW	428	257	20	19°	100	8x45°
NIMAX 504 T6 0,55kW	428	167	20	19°	80	8x45°
NIMAX 564 T4 3kW	470.7	257	33.5	15°	100	12x30°
NIMAX 564 T6 1,1kW	470.7	197	33.5	15°	90	12x30°
NIMAX 634 T4 5,5kW	519. 7000000 0000005	327	32.5	0°	132	12x30°
NIMAX 634 T6 2,2kW	519. 7000000 0000005	262	32.5	0°	112	12x30°
NIMAX 714 T4 11kW	276.7	427	32.5	5°	160	16x22,5°
NIMAX 714 T6 3kW	276.7	327	32.5	5°	132	16x22,5°
NIMAX 804 T4 18,5kW	638. 7000000 0000005	462	33.5	11,25°	180	16x22,5°
NIMAX 804 T6 5,5kW	638. 7000000 0000005	327	33.5	11,25°	132	16x22,5°
NIMAX 904 T4 37kW	719.7	518	33.5	16°	225	16x22,5°

<b>Model</b>	<b>Z1</b>	<b>Z2</b>	<b>Z3</b>	<b>aº</b>	<b>motor</b>	<b>nºholes</b>
NIMAX 904 T6 11kW	719.7	427	33.5	16º	160	16x22,5º
NIMAX 1004 T4 55kW	790.7	617	33.5	11,25º	250	16x22,5º
NIMAX 1004 T6 18,5kW	790.7	518	33.5	11,25º	200	16x22,5º

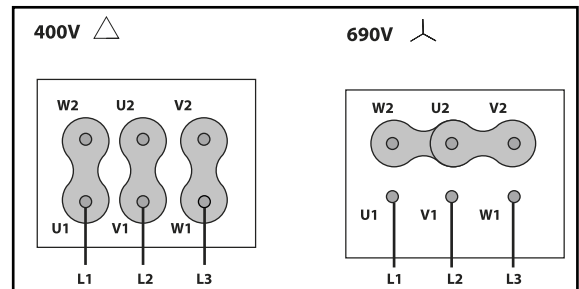
# Wiring diagram

DIAGRAM Nº 1

230/400V



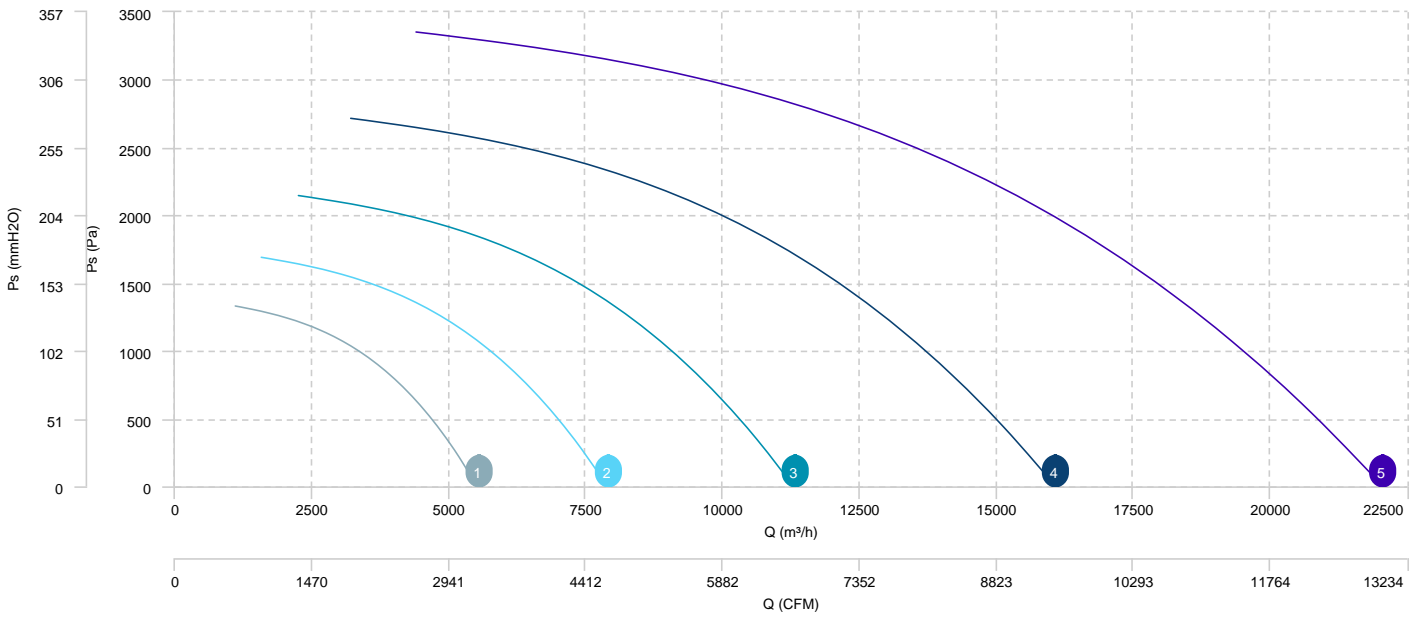
400/690V



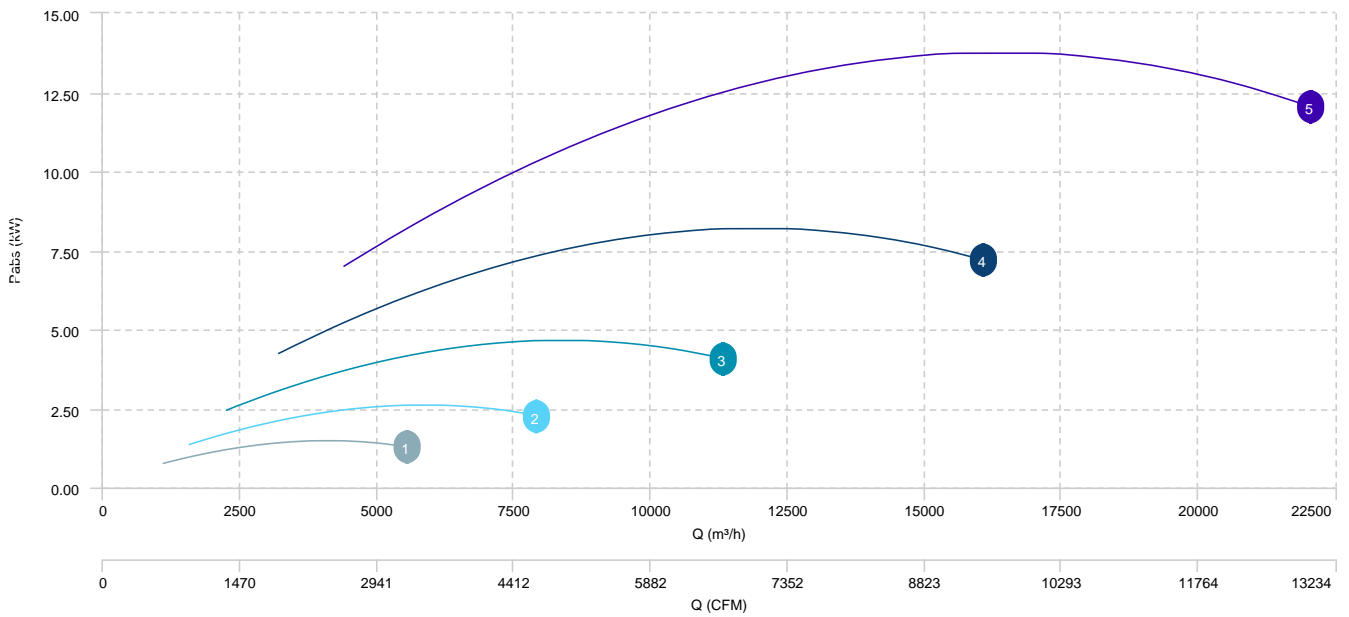
# CHARACTERISTIC CURVE

- 1 NIMAX 314 T2 1,5kW
- 2 NIMAX 354 T2 3kW
- 3 NIMAX 404 T2 5,5kW
- 4 NIMAX 454 T2 11kW
- 5 NIMAX 504 T2 15kW

## AIR FLOW - PRESSURE

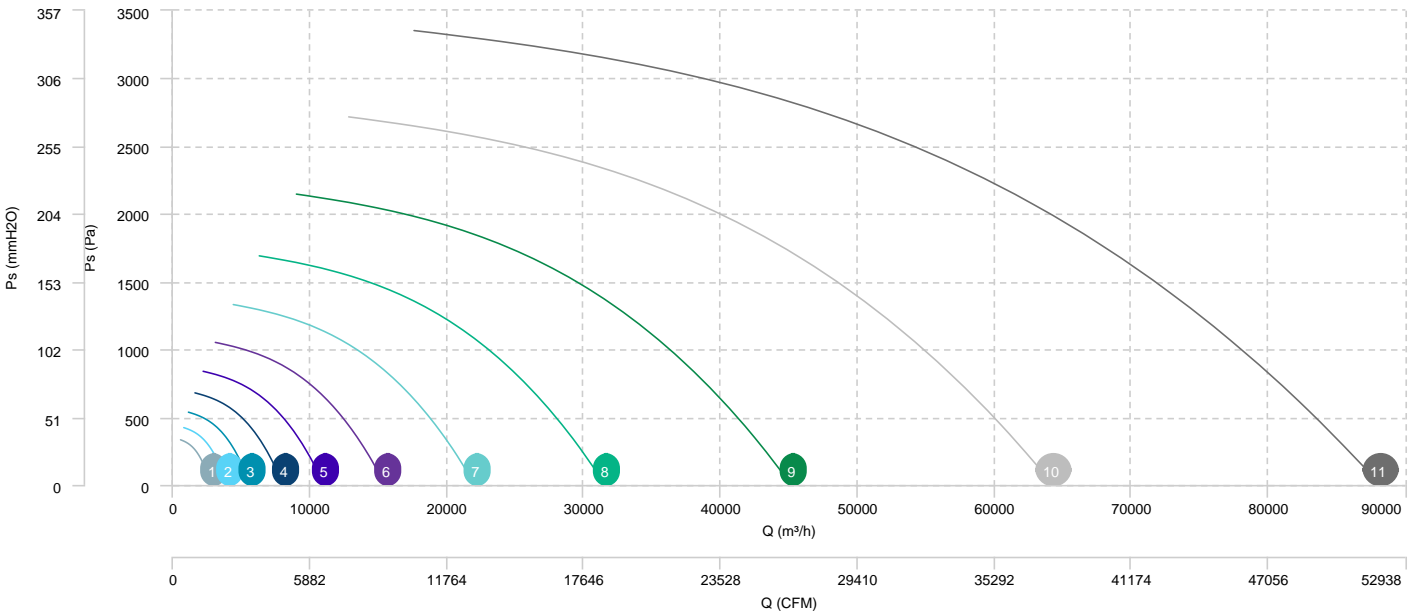


## AIR FLOW - ABSORBED POWER

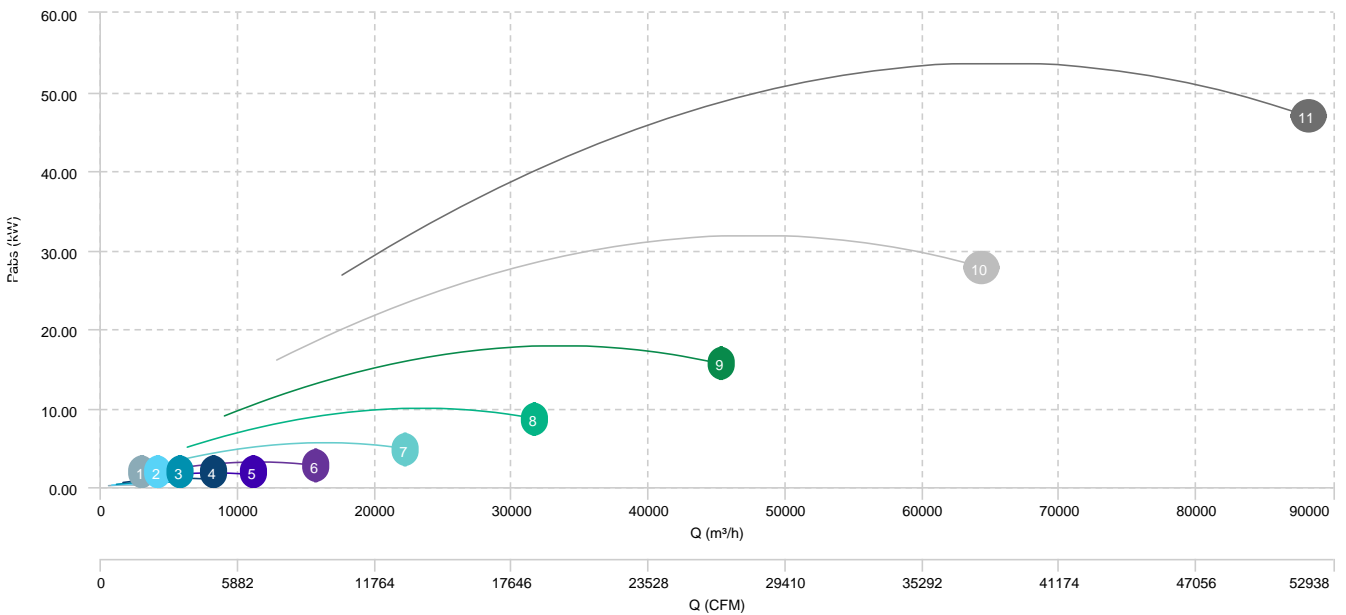


1	NIMAX 314 T4 0,37kW	2	NIMAX 354 T4 0,37kW	3	NIMAX 404 T4 0,55kW	4	NIMAX 454 T4 1,1kW
5	NIMAX 504 T4 2,2kW	6	NIMAX 564 T4 3kW	7	NIMAX 634 T4 5,5kW	8	NIMAX 714 T4 11kW
9	NIMAX 804 T4 18,5kW	10	NIMAX 904 T4 37kW	11	NIMAX 1004 T4 55kW		

## AIR FLOW - PRESSURE

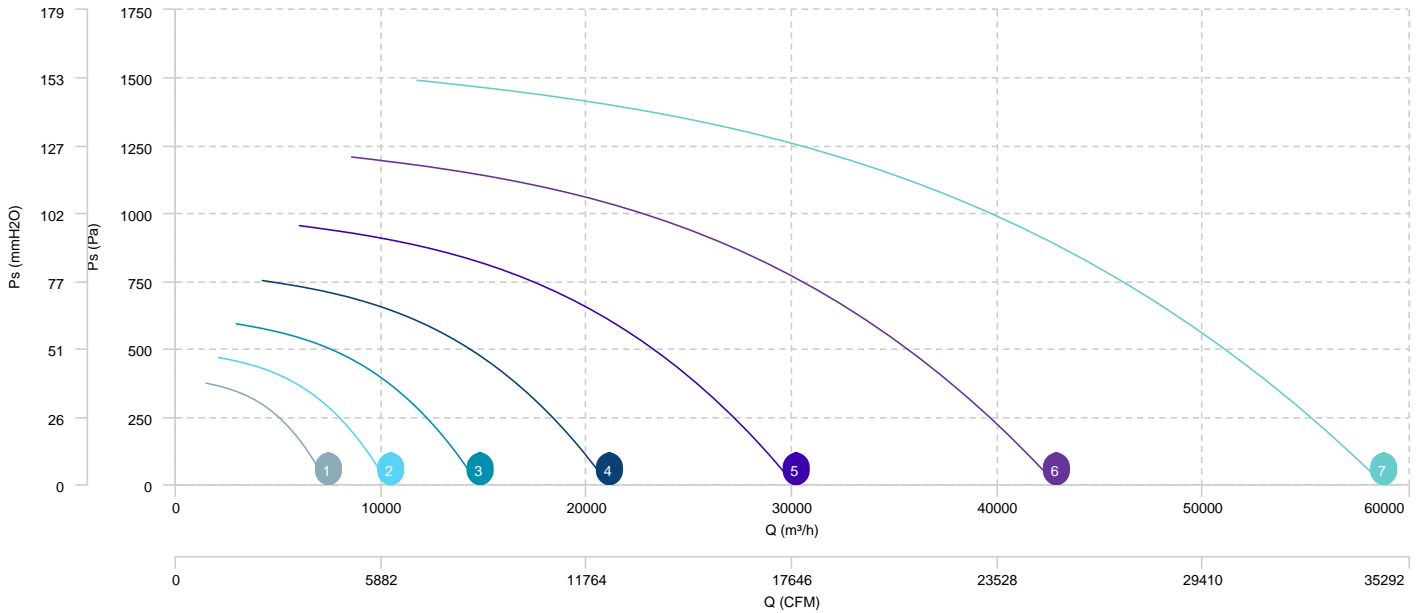


## AIR FLOW - ABSORBED POWER

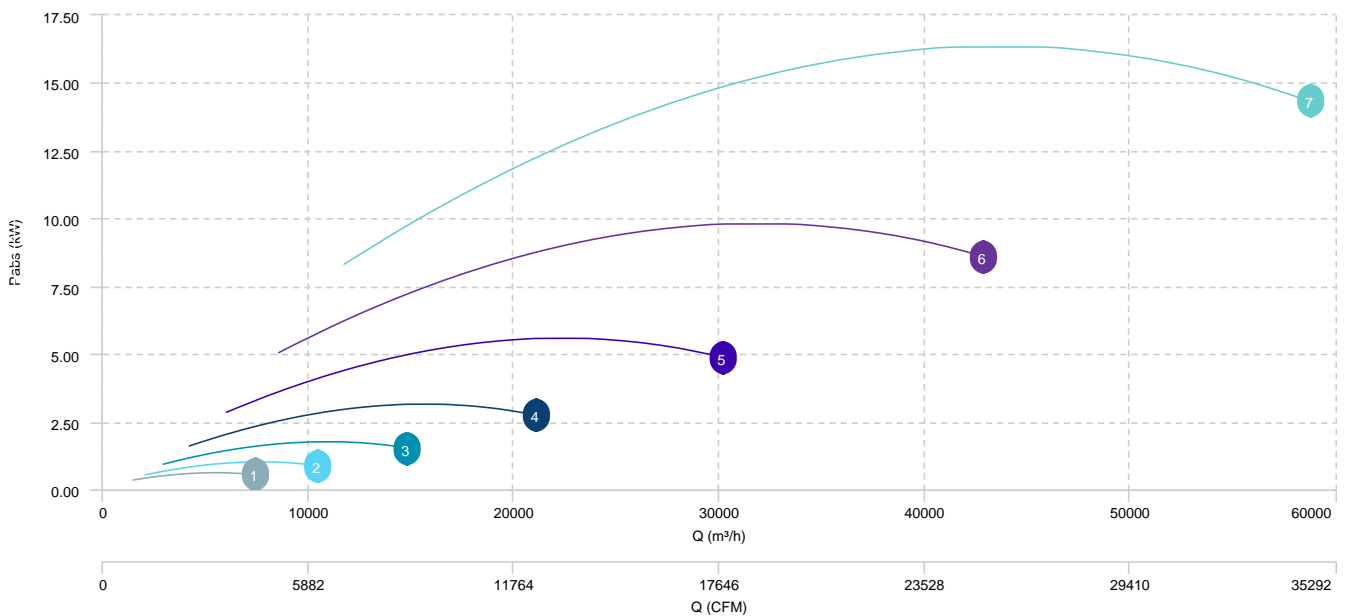


1	NIMAX 504 T6 0,55kW	2	NIMAX 564 T6 1,1kW	3	NIMAX 634 T6 2,2kW	4	NIMAX 714 T6 3kW
5	NIMAX 804 T6 5,5kW	6	NIMAX 904 T6 11kW	7	NIMAX 1004 T6 18,5kW		

## AIR FLOW - PRESSURE



## AIR FLOW - ABSORBED POWER



## Sound data

### Sound / 2 poles

Sound power Lw dB (A)										
Model		63 Hz	125 Hz	250 Hz	500 Hz	1000 Hz	2000 Hz	4000 Hz	8000 Hz	Total
NIMAX 314 T2 1,5kW	Inlet	82	80	77	75	73	70	67	64	86
NIMAX 354 T2 3kW	Inlet	86	84	81	79	77	74	71	68	90
NIMAX 404 T2 5,5kW	Inlet	89	87	84	82	80	77	74	71	93
NIMAX 454 T2 11kW	Inlet	93	91	88	86	84	81	78	75	97
NIMAX 504 T2 15kW	Inlet	96	94	91	89	87	84	81	78	100

### Sound / 4 poles

Sound power Lw dB (A)										
Model		63 Hz	125 Hz	250 Hz	500 Hz	1000 Hz	2000 Hz	4000 Hz	8000 Hz	Total
NIMAX 314 T4 0,37kW	Inlet	67	65	62	60	58	55	52	49	71
NIMAX 354 T4 0,37kW	Inlet	71	69	66	64	62	59	56	53	75
NIMAX 404 T4 0,55kW	Inlet	74	72	69	67	65	62	59	56	78
NIMAX 454 T4 1,1kW	Inlet	78	76	73	71	69	66	63	60	82
NIMAX 504 T4 2,2kW	Inlet	81	79	76	74	72	69	66	63	85
NIMAX 564 T4 3kW	Inlet	85	83	80	78	76	73	70	67	89
NIMAX 634 T4 5,5kW	Inlet	88	86	83	81	79	76	73	70	92
NIMAX 714 T4 11kW	Inlet	92	90	87	85	83	80	77	74	96
NIMAX 804 T4 18,5kW	Inlet	95	93	90	88	86	83	80	77	99
NIMAX 904 T4 37kW	Inlet	99	97	94	92	90	87	84	81	103
NIMAX 1004 T4 55kW	Inlet	102	100	97	95	93	90	87	84	106

### Sound / 6 poles

Sound power Lw dB (A)										
Model		63 Hz	125 Hz	250 Hz	500 Hz	1000 Hz	2000 Hz	4000 Hz	8000 Hz	Total
NIMAX 504 T6 0,55kW	Inlet	72	70	67	65	63	60	57	54	76
NIMAX 564 T6 1,1kW	Inlet	76	74	71	69	67	64	61	58	80
NIMAX 634 T6 2,2kW	Inlet	79	77	74	72	70	67	64	61	83
NIMAX 714 T6 3kW	Inlet	83	81	78	76	74	71	68	65	87
NIMAX 804 T6 5,5kW	Inlet	87	85	82	80	78	75	72	69	91
NIMAX 904 T6 11kW	Inlet	90	88	85	83	81	78	75	72	94
NIMAX 1004 T6 18,5kW	Inlet	93	91	88	86	84	81	78	75	97



## erp data

ERP	
Fan type	Centrifugal fan backward blades with casing
Installation category	A
Efficiency category	Static
The fan has to be installed with FSC	No

### ERP / 2 poles

Model	Motor power (kW)	Maximum efficiency point data						
		Max. efficiency (%)	Efficiency grade (N) (N)	Air Flow (m³/h)	Ps (Pa)	Pabs (kW)	speed (rpm)	Specific ratio
NIMAX 314 T2 1,5kW	1,50	66,74	75,70	3.134,41	1.054,33	1,40	2865	1,01
NIMAX 354 T2 3kW	3	68,77	75,14	4.503,45	1.335,56	2,48	2880	1,01
NIMAX 404 T2 5,5kW	5,50	69,92	73,63	6.457,17	1.692,84	4,43	2910	1,02
NIMAX 454 T2 11kW	11	71,57	72,72	9.174,78	2.145,67	7,78	2940	1,02
NIMAX 504 T2 15kW	15	72,30	72,08	12.551,27	2.654,05	13,04	2935	1,03

### ERP / 4 poles

Model	Motor power (kW)	Maximum efficiency point data						
		Max. efficiency (%)	Efficiency grade (N) (N)	Air Flow (m³/h)	Ps (Pa)	Pabs (kW)	speed (rpm)	Specific ratio
NIMAX 314 T4 0,37kW	0,37	46,28	63,01	1.626,62	256,37	0,26	1370	1,00
NIMAX 354 T4 0,37kW	0,37	53,74	68,43	2.307,44	327,92	0,40	1370	1,00
NIMAX 404 T4 0,55kW	0,55	63,31	76,06	3.226,20	423,43	0,61	1440	1,00
NIMAX 454 T4 1,1kW	1,10	66,54	76,83	4.575,48	537,40	1,05	1450	1,01
NIMAX 504 T4 2,2kW	2,20	69,84	77,95	6.285,91	662,75	1,69	1435	1,01
NIMAX 564 T4 3kW	3	69,38	74,88	8.788,12	834,20	2,99	1420	1,01
NIMAX 634 T4 5,5kW	5,50	70,50	73,39	12.539,25	1.054,24	5,31	1460	1,01
NIMAX 714 T4 11kW	11	72,10	72,37	17.930,39	1.339,91	9,43	1455	1,01
NIMAX 804 T4 18,5kW	18,50	73	72,49	25.644,54	1.701,38	16,91	1470	1,02
NIMAX 904 T4 37kW	37	73,82	72,67	36.579,50	2.150,60	30,15	1470	1,02
NIMAX 1004 T4 55kW	55	74,20	72,48	50.104,91	2.657,75	50,76	1475	1,03

### ERP / 6 poles

Model	Maximum efficiency point data							
	Motor power (kW)	Max. efficiency (%)	Efficiency grade (N) (N)	Air Flow (m <sup>3</sup> /h)	Ps (Pa)	Pabs (kW)	speed (rpm)	Specific ratio
NIMAX 504 T6 0,55kW	0,55	59,60	72,51	4.242,39	291,96	0,59	900	1,00
NIMAX 564 T6 1,1kW	1,10	63,92	74,59	5.899,65	368,95	0,96	925	1,00
NIMAX 634 T6 2,2kW	2,20	66,41	74,57	8.410,47	466,54	1,67	965	1,00
NIMAX 714 T6 3kW	3	67,70	73,23	11.938,60	596,04	2,98	960	1,01
NIMAX 804 T6 5,5kW	5,50	69,23	72,14	17.121,51	755,40	5,29	960	1,01
NIMAX 904 T6 11kW	11	70,93	71,26	24.436,43	954,45	9,31	965	1,01
NIMAX 1004 T6 18,5kW	18,50	72,09	71,68	33.465,95	1.179,68	15,49	975	1,01