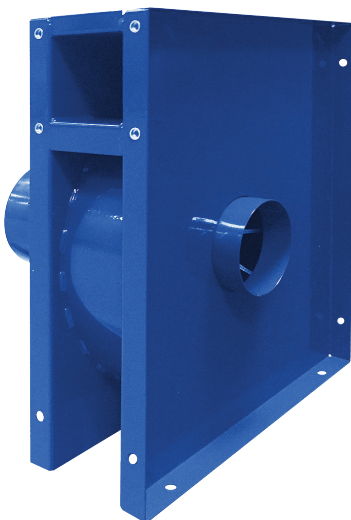


Spiral housing



Rectangular housing

### APPLICATION

Fan designed for polluted air exhaust systems and pneumatic transport. Typical applications:

- local exhaust systems, dehumidifiers, drying systems,
- transport of shavings, sawdust, granulates,
- combustion gas exhaust systems.

### CONSTRUCTION

- medium-pressure, centrifugal fan with direct drive,
- aluminum alloy impeller with straight blades (models to 800, from model 900 to 1500 the impeller is welded from steel sheet), dynamically balanced in accordance with ISO1940-1,
- welded sheet steel housing,
- rectangular from model 60 to 600,
- spiral from model 700 to 1500,
- motor support in models from 500 to 1500,
- painted in RAL 5010 (corrosivity category C3),
- maximum medium temperature 80°C,
- ambient temperature range from -20°C to +40°C,
- standard RD90 positions in models from 60 to 400,
- standard LG270 positions in models from 500 to 1500.

### MOTOR

- asynchronous single-phase 230V 50Hz (power to 1,1 kW),
- asynchronous, three-phase 230V/400V 50Hz (power to 3 kW),
- asynchronous, three-phase 400V/690V 50Hz (power from 4 kW),
- efficiency class IE3 (from 0,75 kW),
- degree of protection IP55,
- insulation class F,
- three-phase motors are adapted for frequency converter.

### ON REQUEST

- different positions LG/RD,
- painting in a different color,
- painting in higher category of corrosivity,
- spiral housing for models from 60 to 600,
- impeller welded from steel sheet for models to 800,
- impeller, housing and support made of galvanized steel sheet,
- impeller, housing and support made of stainless steel 1.4301,
- impeller, housing and support made of acid-proof steel 1.4404,
- different motor voltage and frequency,
- single-phase motor driven by voltage,
- different motor degree of protection,
- motor equipped with sensors or additional cooling,
- radial shaft sealing,
- maximum medium temperature above 80°C,
- ambient temperature range below -20°C and above +40°C,
- belt drive,
- sound-acoustic isolation.



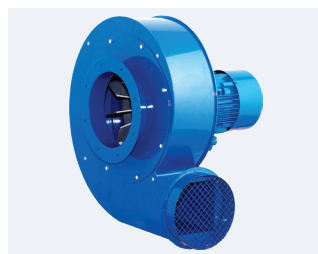
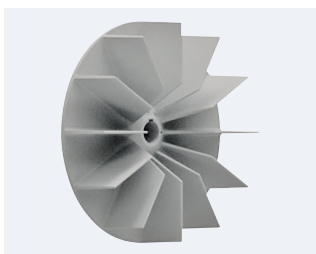
WWW



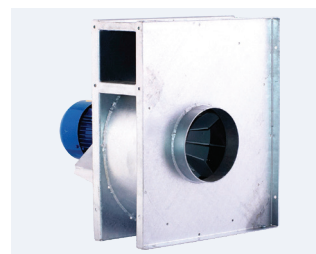
DTR



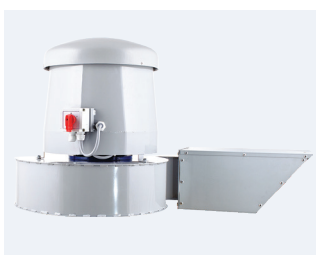
CE



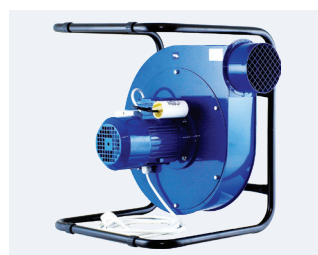
Inlet flange version GMT-K



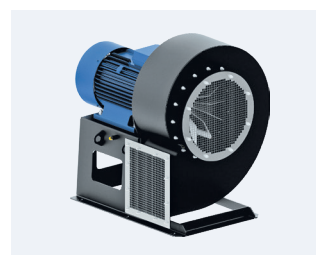
High temperature version GMT-HT



Roof fan GMT-R

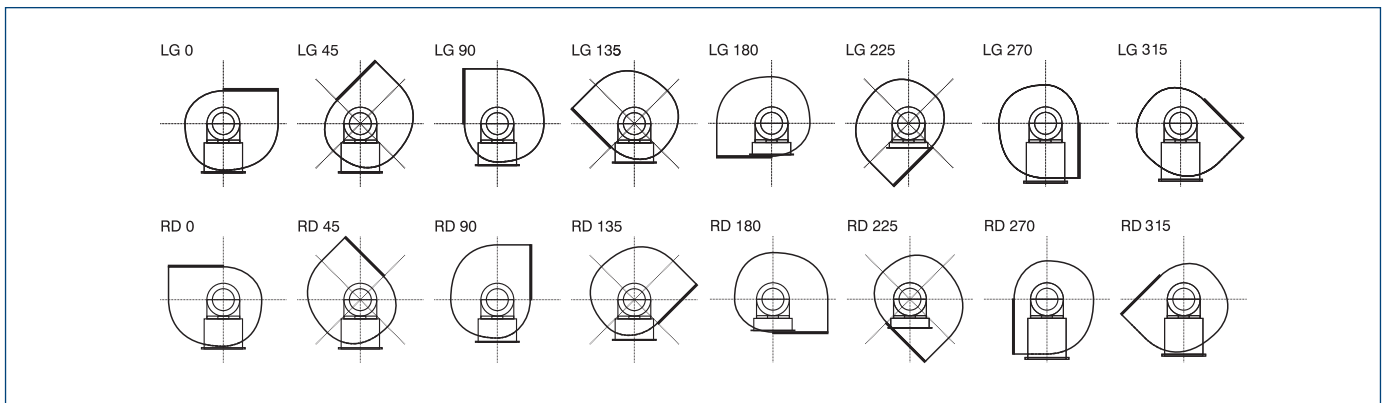


Transportable extractor ZWP



Explosion proof version EGT

POSITIONS

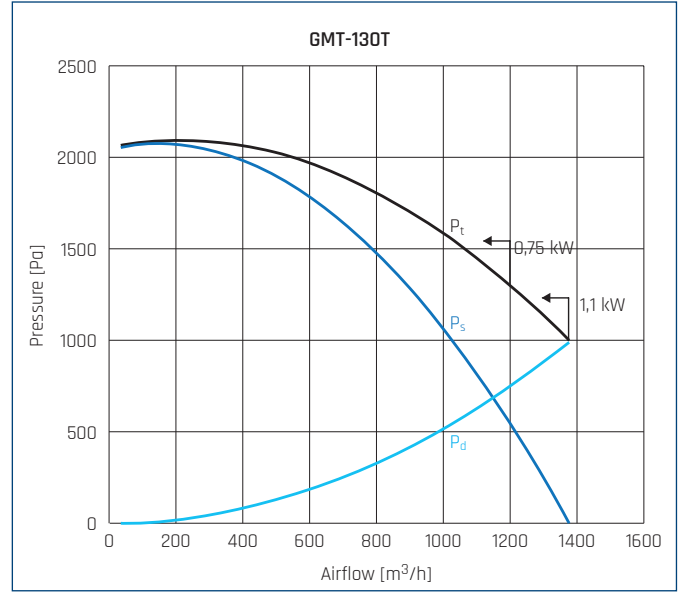
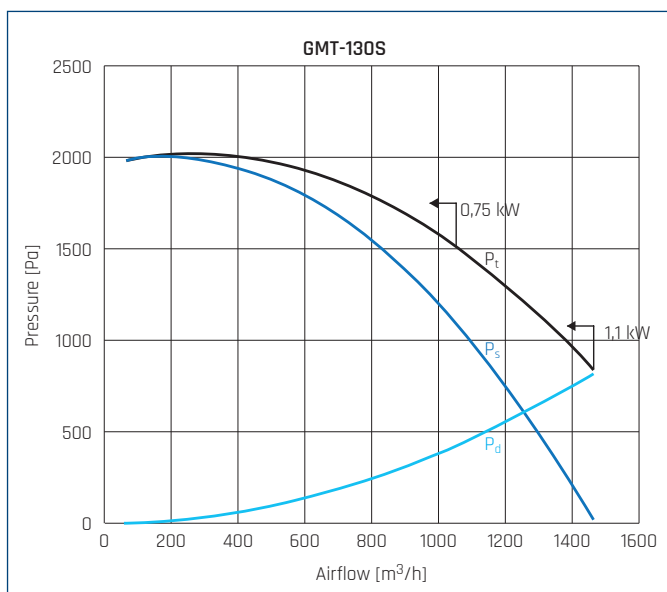
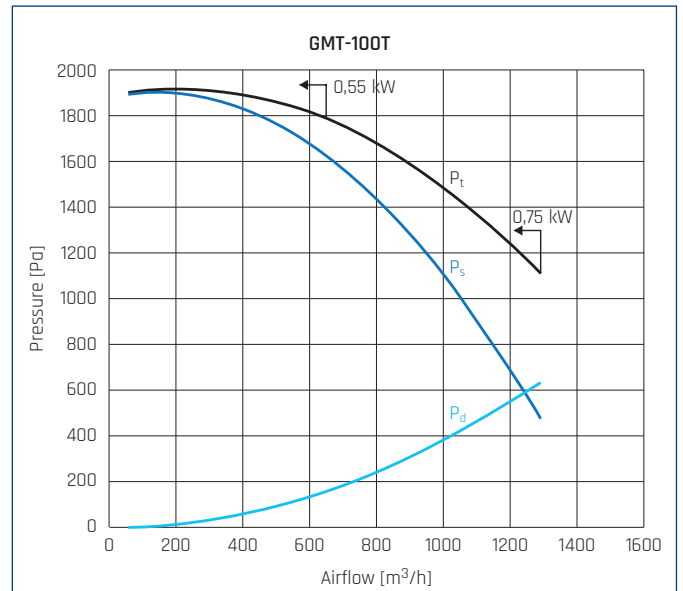
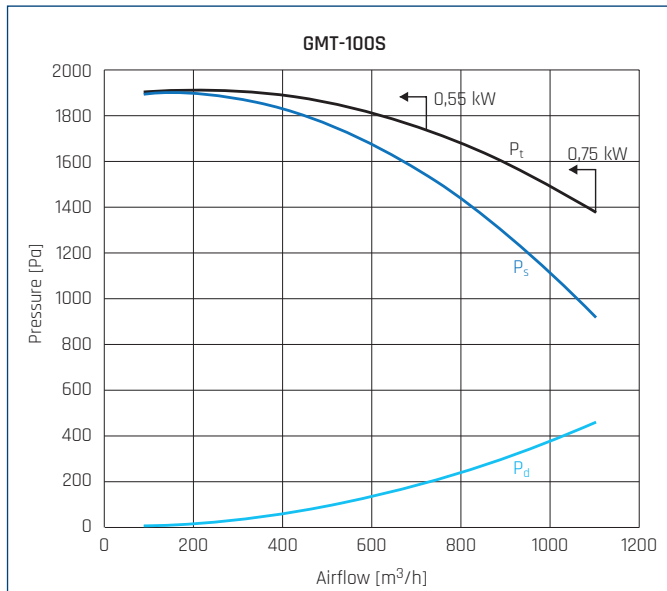
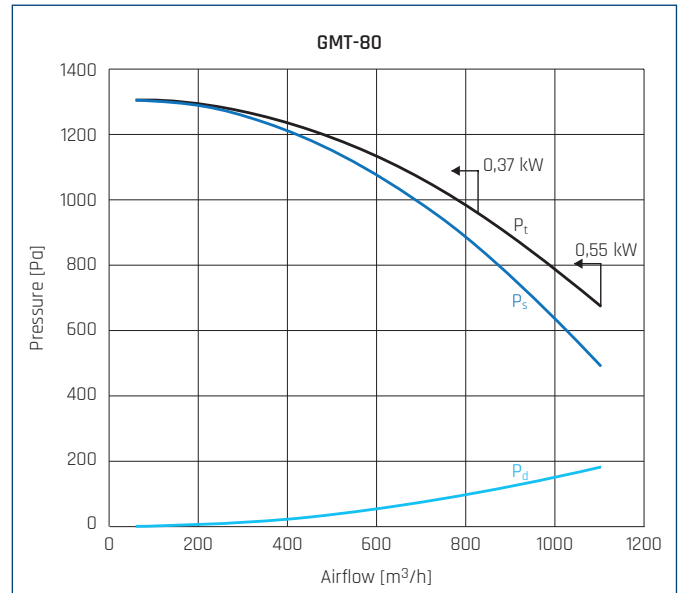
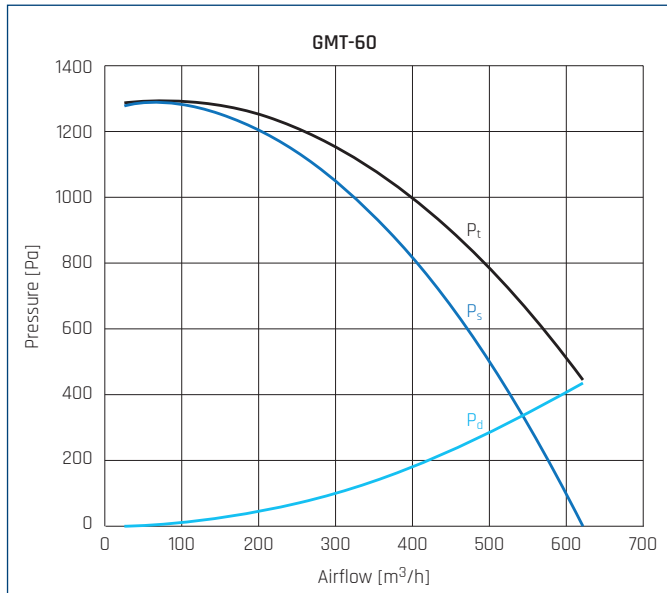


TECHNICAL CHARACTERISTICS

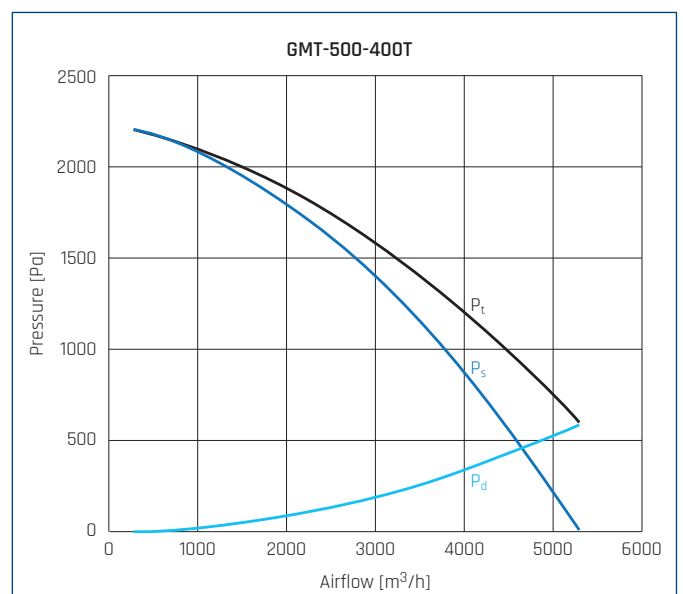
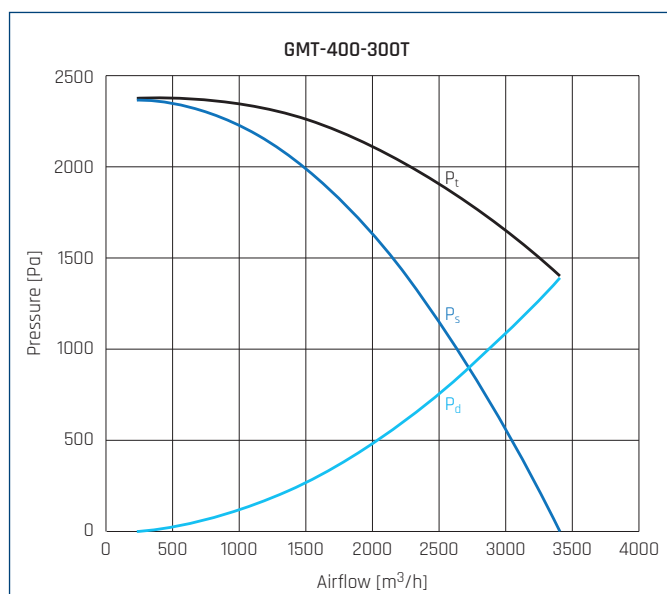
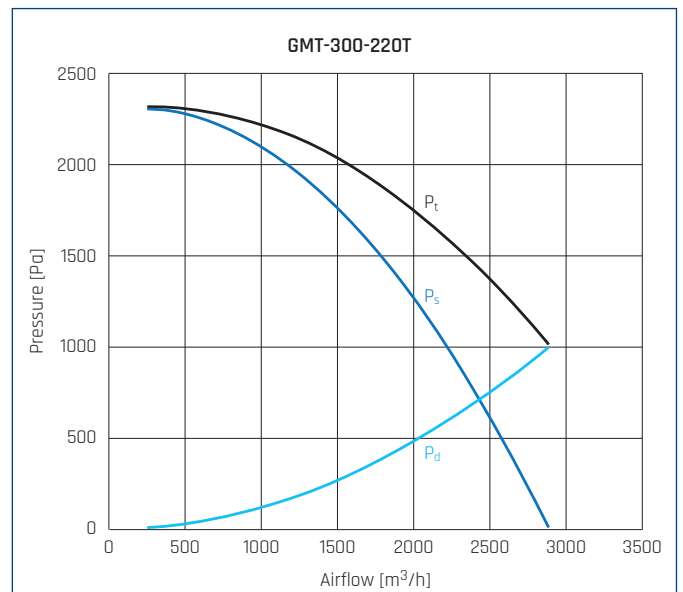
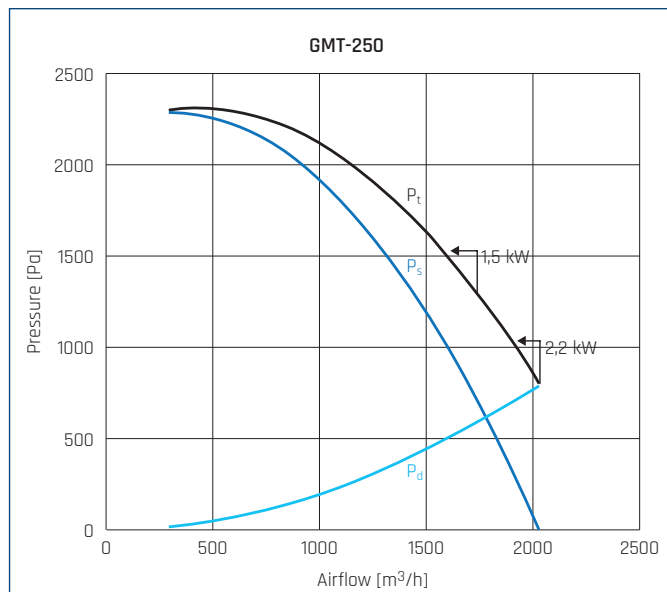
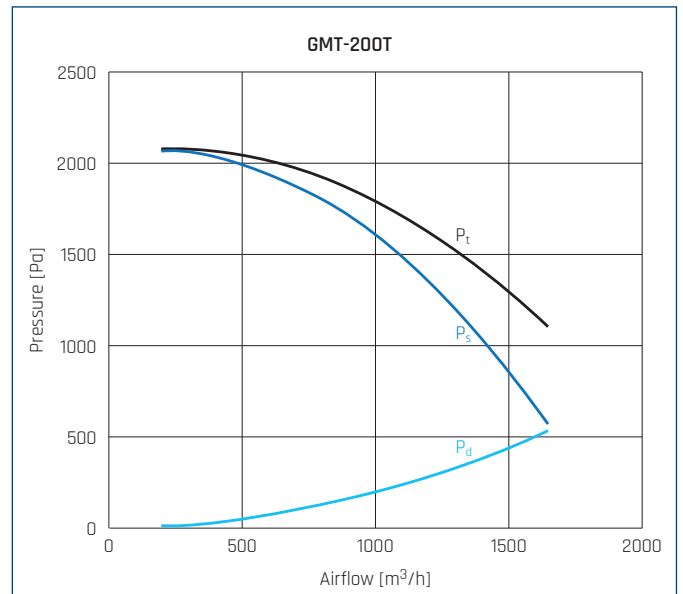
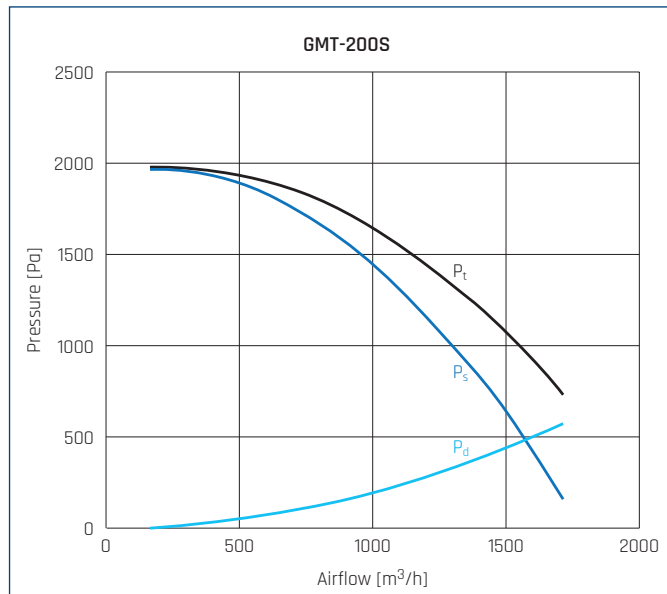
Type	airflow max	pressure max	maximum absorbed power	speed	maximum absorbed current	voltage	capacitor	sound pressure level*	weight	article number	
	[m³/h]	[Pa]	[kW]	[r.p.m.]	[A]	[V]	[µF]	[dB(A)]	[kg]	spiral	rectangular
GMT-60-037S	625	1340	0,37	2760	3	230	12	74	14,6/14,9	42551500	42551505
GMT-60-037T	625	1340	0,37	2800	1,75/1,0	230/400	-	74	13,5/14,0	42551510	42551515
GMT-80-037S	830	1260	0,37	2760	3	230	12	74	15,2/15,5	42551520	42551525
GMT-80-037T	830	1260	0,37	2800	1,75/1,0	230/400	-	74	14,0/14,0	42551530	42551535
GMT-80-055S	1100	1260	0,55	2780	3,6	230	20	75	17,0/17,0	42551550	42551555
GMT-80-055T	1100	1260	0,55	2790	2,35/1,35	230/400	-	75	15,0/17,5	42551560	42551565
GMT-100-055S	750	1915	0,55	2780	3,6	230	20	76	14,7/17,0	42551580	42551590
GMT-100-055T	650	1915	0,55	2790	2,35/1,35	230/400	-	76	13,0/13,0	42551600	42551620
GMT-100-075S	1100	1915	0,75	2800	5,0	230	25	79	19,0/19,0	42551640	42551650
GMT-100-075T	1290	1915	0,75	2890	3,30/1,90	230/400	-	79	16,7/19,0	43551670	43551690
GMT-130-075S	1040	2050	0,75	2800	5,0	230	25	78	17,3/18,5	42551710	42551700
GMT-130-075T	1200	2110	0,75	2890	3,30/1,90	230/400	-	78	16,7/19,5	43551730	43551720
GMT-130-110S	1470	2050	1,1	2780	6,4	230	30	80	19,0/21,5	42551750	42551740
GMT-130-110T	1380	2110	1,1	2890	4,3/2,5	230/400	-	80	19,5/19,5	43551770	43551760
GMT-200-110S	1720	1990	1,1	2780	6,4	230	30	81	24,5	-	42551780
GMT-200-110T	1650	2100	1,1	2890	4,3/2,5	230/400	-	81	24,6	-	43551790
GMT-250-150T	1740	2400	1,5	2880	5,25/3,0	230/400	-	82	33,5	-	43551800
GMT-250-220T	2030	2400	2,2	2895	7,9/4,5	230/400	-	82	35,5	-	43551810
GMT-300-220T	2900	2315	2,2	2895	7,9/4,5	230/400	-	82	35,6	-	43551820
GMT-400-300T	3410	2380	3	2870	11,0/6,3	230/400	-	84	38,6	-	43551840
GMT-500-400T	5300	2225	4	2895	7,4/4,3	400/690	-	85	55,0	-	43551850
GMT-600-550T	6400	2350	5,5	2890	9,8/5,7	400/690	-	88	63,0	-	43551860
GMT-700-750T	7350	3530	7,5	2885	14,0/8,1	400/690	-	91	108,0/103,0	43551870	43551875
GMT-750-1100T	10100	2880	11	2900	19,1/11,1	400/690	-	92	106,0/127,0	43551880	43551885
GMT-800-1500T	11530	2700	15	2940	26,0/15,0	400/690	-	93	151,0/165,0	43551890	43551895
GMT-900-1500T	6560	5335	15	2940	26,0/15,0	400/690	-	94	268,0	43551900	-
GMT-1200-1500T	8820	4490	15	2940	26,0/15,0	400/690	-	95	228,0	43551910	-
GMT-1500-3000T	10200	7645	30	2940	54,0/31,0	400/690	-	99	404,0	43551930	-
GMT-1500-3700T	12450	7645	37	2955	63,0/36,5	400/690	-	99	521,0	43551940	-

\* measured at a distance of 1,5m from the fan at  $q=2/3 \cdot q_{max}$

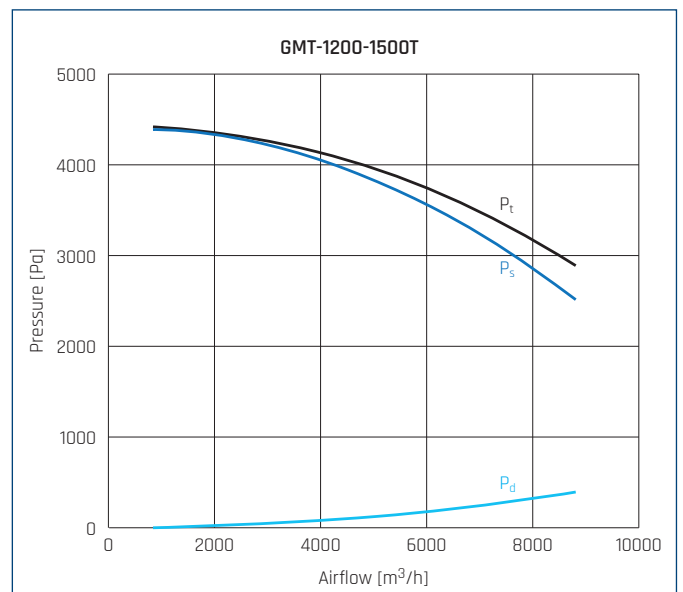
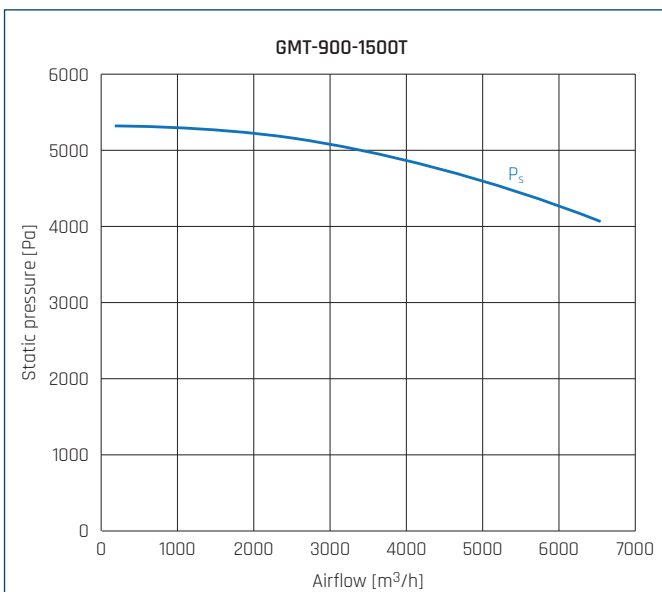
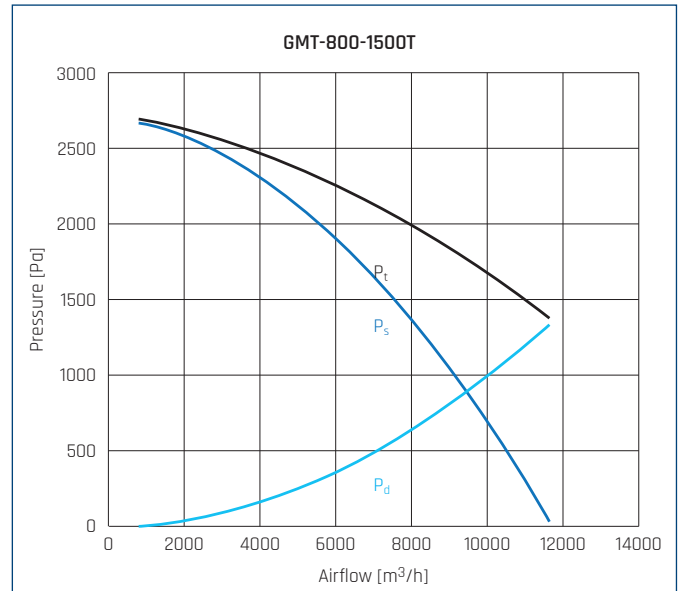
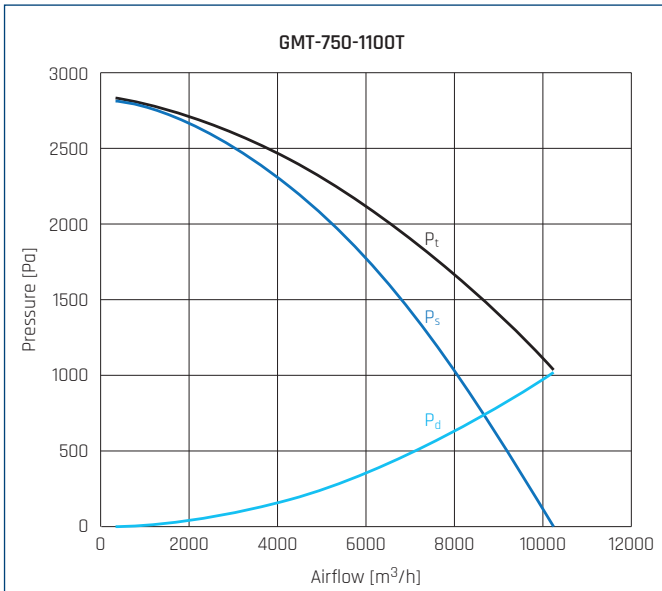
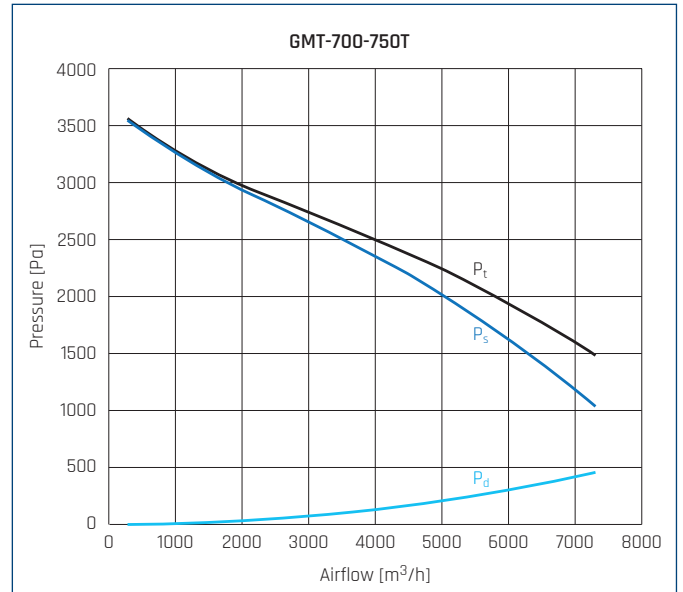
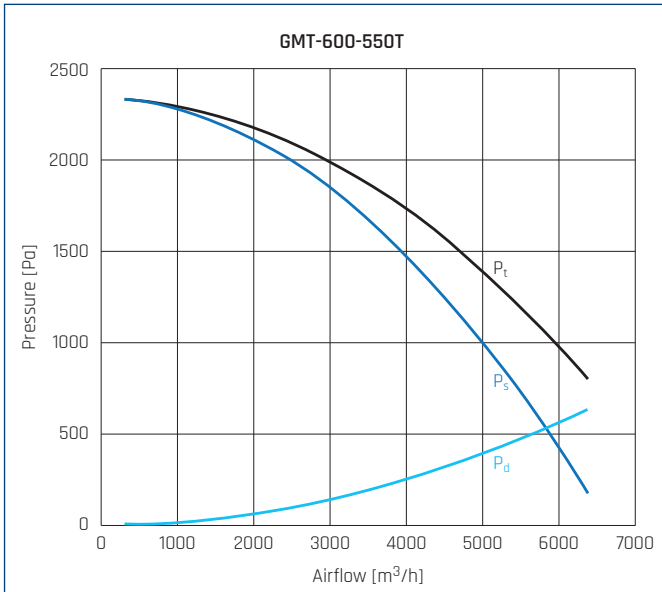
PERFORMANCE CURVES



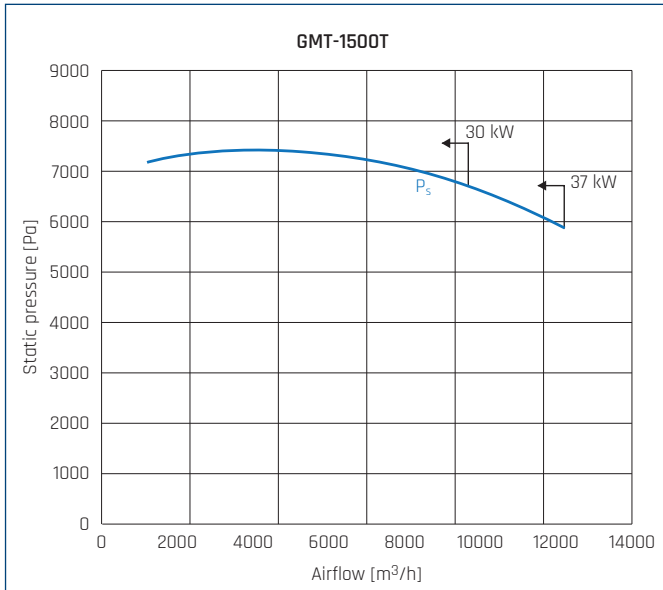
PERFORMANCE CURVES



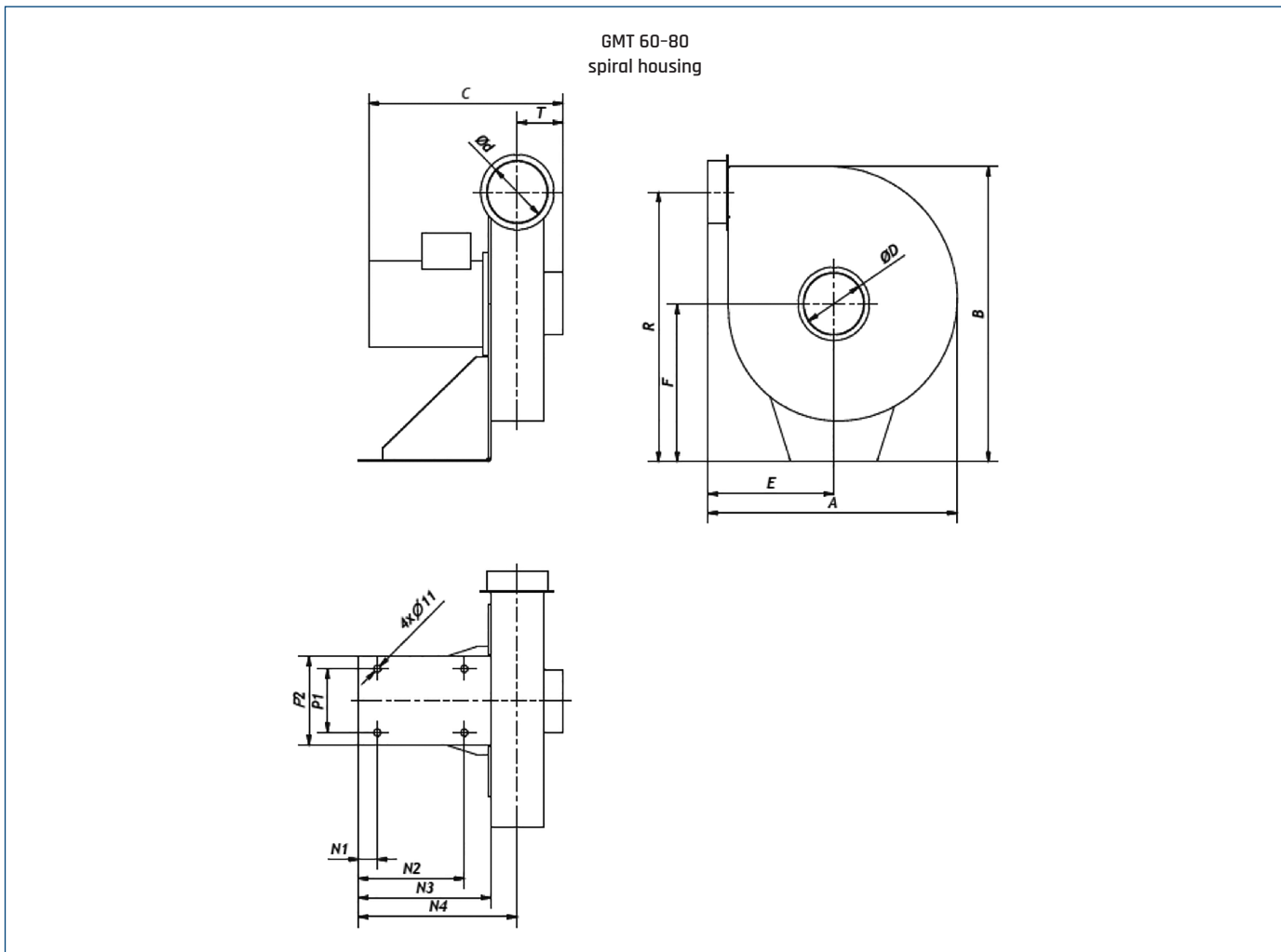
PERFORMANCE CURVES



PERFORMANCE CURVES



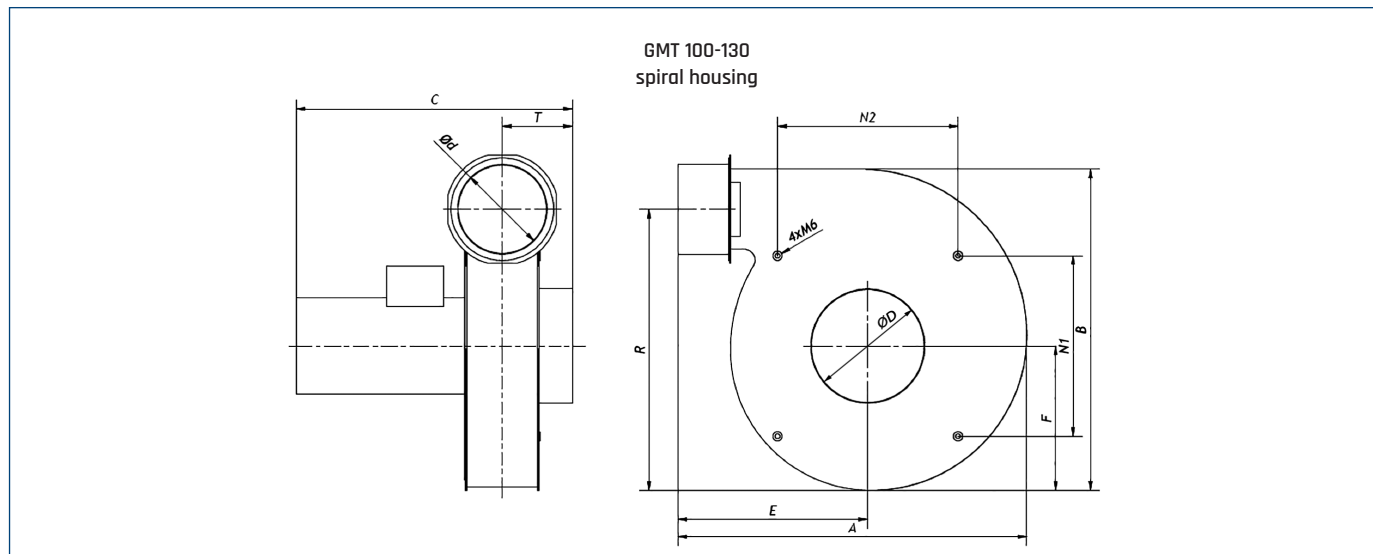
DIMENSIONS [mm]



Type	A	B	C*	ØD	Ød	E	F	N1	N2	N3	N4	P1	P2	R	T
GMT-60	401	463	313	98	98	202	248	30	170	213	255	100	140	423	74
GMT-80	402	463	355	158	158	203	248	30	170	213	278	100	140	396	94

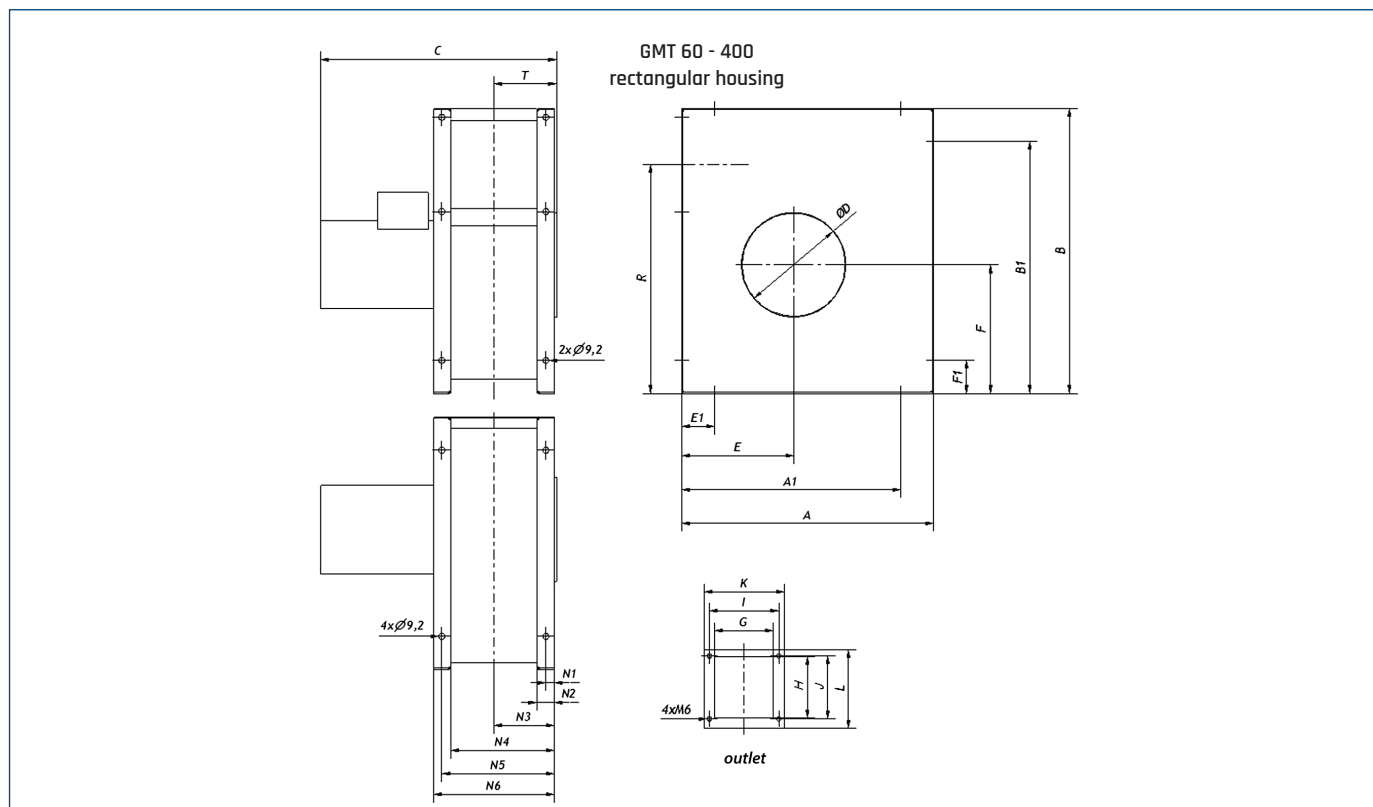
\* dimension C depends on the motor used

DIMENSIONS [mm]



Type	A	B	C*	ØD	Ød	E	F	N1	N2	R	T
GMT-100	483	445	382	98	124	263	200	250	250	390	97
GMT-130	483	445	387	158	124	263	200	250	250	390	97

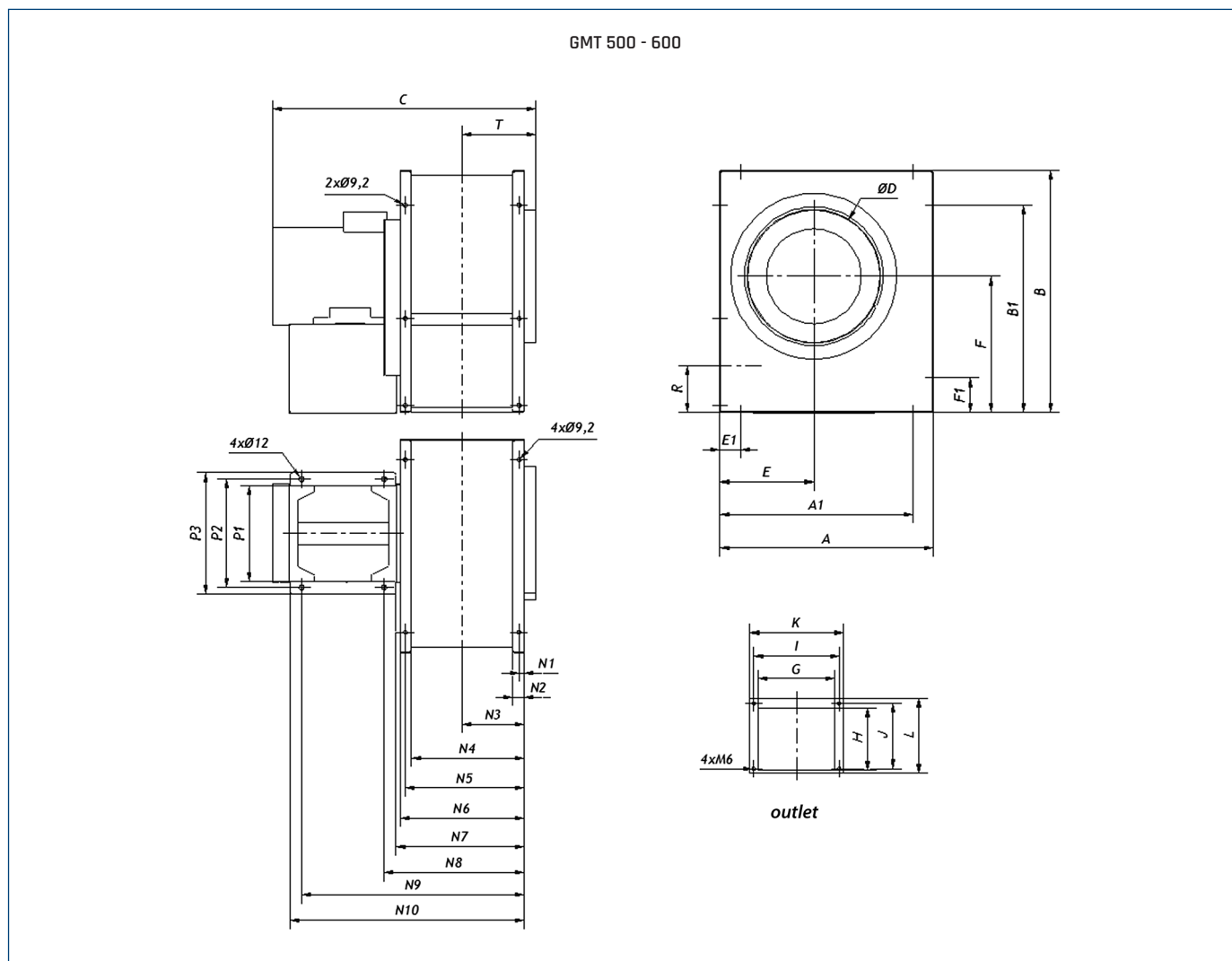
\* dimension C depends on the motor used



Type	A	A1	B	B1	C*	ØD	E	E1	F	F1	G	H	I	J	K	L	N1	N2	N3	N4	N5	N6	R	T
GMT-60	382	332	432	382	330	98	170	50	195	50	80	80	108	90	133	125	12,5	26,5	66,5	106,5	120,5	133	374	70
GMT-80	382	332	432	382	397	158	170	50	195	50	130	133	158	143	183	178	12,5	26,5	91,5	156,5	170,5	183	347	95
GMT-100	413	362,5	463	422,5	393	158	192	50,5	202	50,5	110	100	137	110	162	145	12,5	26	81	136	149,5	162	394	103
GMT-130	413	362,5	463	422,5	427	158	192	50,5	202	50,5	110	100	137	110	162	145	12,5	26	81	136	149,5	162	394	103
GMT-200	503	456	571	489	424	158	222	48	250	81	110	140	138	150	163	185	12,5	26,5	81,5	136,5	150,5	163	483	99
GMT-250	503	456	571	489	463	158	222	48	250	81	110	140	138	150	163	185	12,5	26,5	81,5	136,5	150,5	163	483	99
GMT-300	503	456	571	489	494	198	222	48	250	81	140	140	168	150	193	185	12,5	26,5	96,5	166,5	180,5	193	483	114
GMT-400	503	456	571	489	494	248	222	48	250	81	140	140	168	150	193	185	12,5	26,5	96,5	166,5	180,5	193	483	114

\* dimension C depends on the motor used

DIMENSIONS [mm]

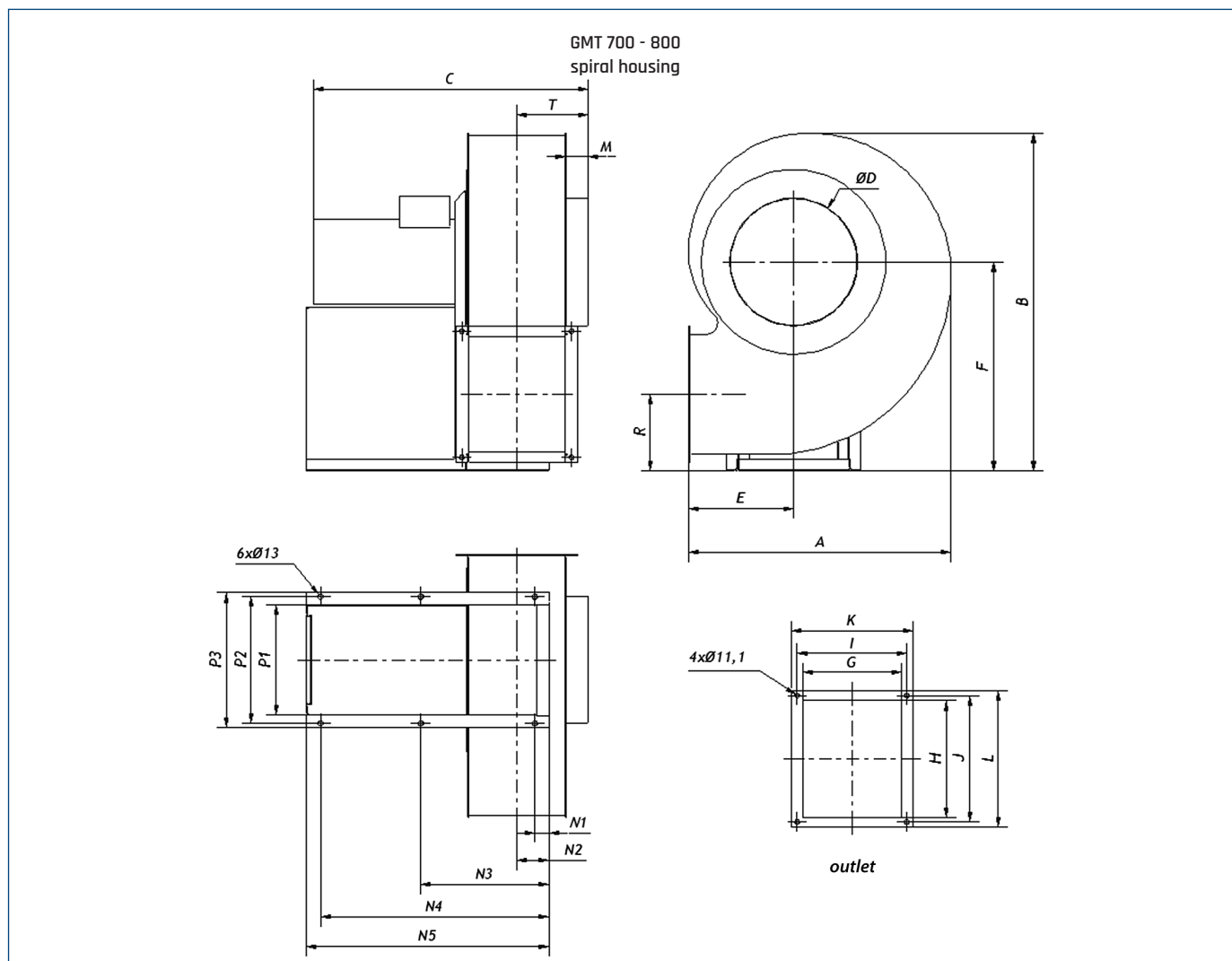


Type	A	A1	B	B1	C*	ØD	E	E1	F	F1	G	H	I	J	K	L	N1	N2	N3	N4	N5	N6	N7	N8	N9	N10	P1	P2	P3	R	T
GMT-500	504	456	573	490	620	250	222	48	322	82	240	195	269	205	294	234	12,5	27	147	267	256,5	294	303,6	331,6	526,6	554,6	233	256	287	110	174
GMT-600	504	456	572	490	693	250	222	48	322	82	280	195	309	205	334	234	12,5	27	167	307	321,5	334	343	371	566	594	227	256	287	110	194

\* dimension C depends on the motor used



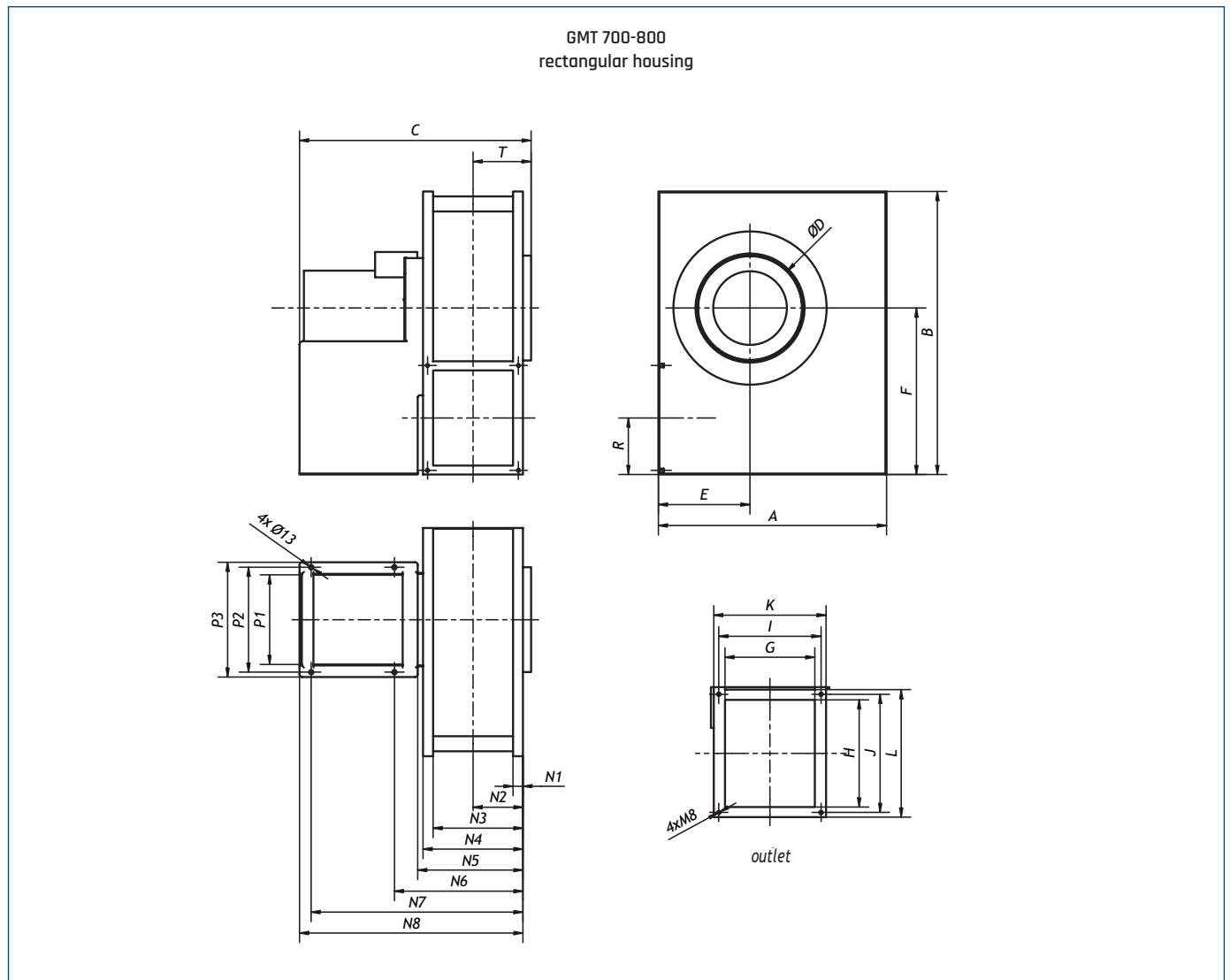
DIMENSIONS [mm]



Type	A	B	C*	ØD	E	F	G	H	I	J	K	L	M	N1	N2	N3	N4	N5	P1	P2	P3	R	T
GMT-700	656	848	686	315	262	522	240	286	273	315	303	340	56	35	80	320	570	605	276	316	336	192	178
GMT-750	656	848	703	315	262	527	240	286	273	315	303	340	52	50	130	335	620	655	270	320	356	197	174
GMT-800	656	848	794	355	262	527	240	286	273	315	303	340	52	50	130	335	620	655	340	384	420	197	174

\* dimension C depends on the motor used

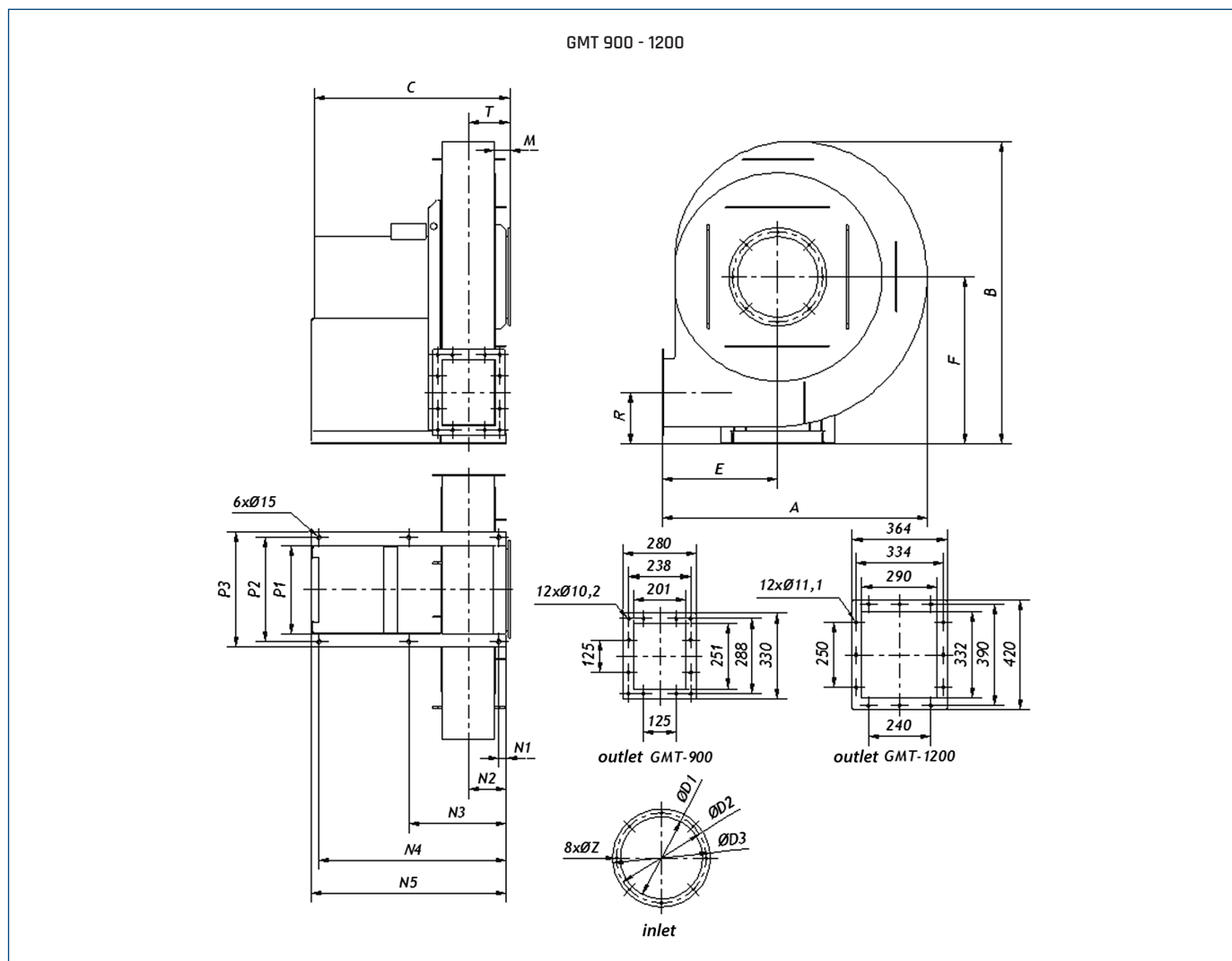
DIMENSIONS [mm]



Type	A	B	C*	ØD	E	F	G	H	I	J	K	L	N1	N2	N3	N4	N5	N6	N7	N8	P1	P2	P3	R	T
GMT-700	685	850	695,5	315	275	500	240	286	273	315	300	340	30	150	270	300	316	388	636	671	269	315	345	170	174,5
GMT-750	685	850	705	315	275	500	240	286	273	315	300	340	30	150	270	300	316	388	636	671	269	315	345	170	175
GMT-800	685	850	818	355	275	500	240	286	273	315	300	340	30	150	270	300	316	388	636	671	334	385	410	170	175

\* dimension C depends on the motor used

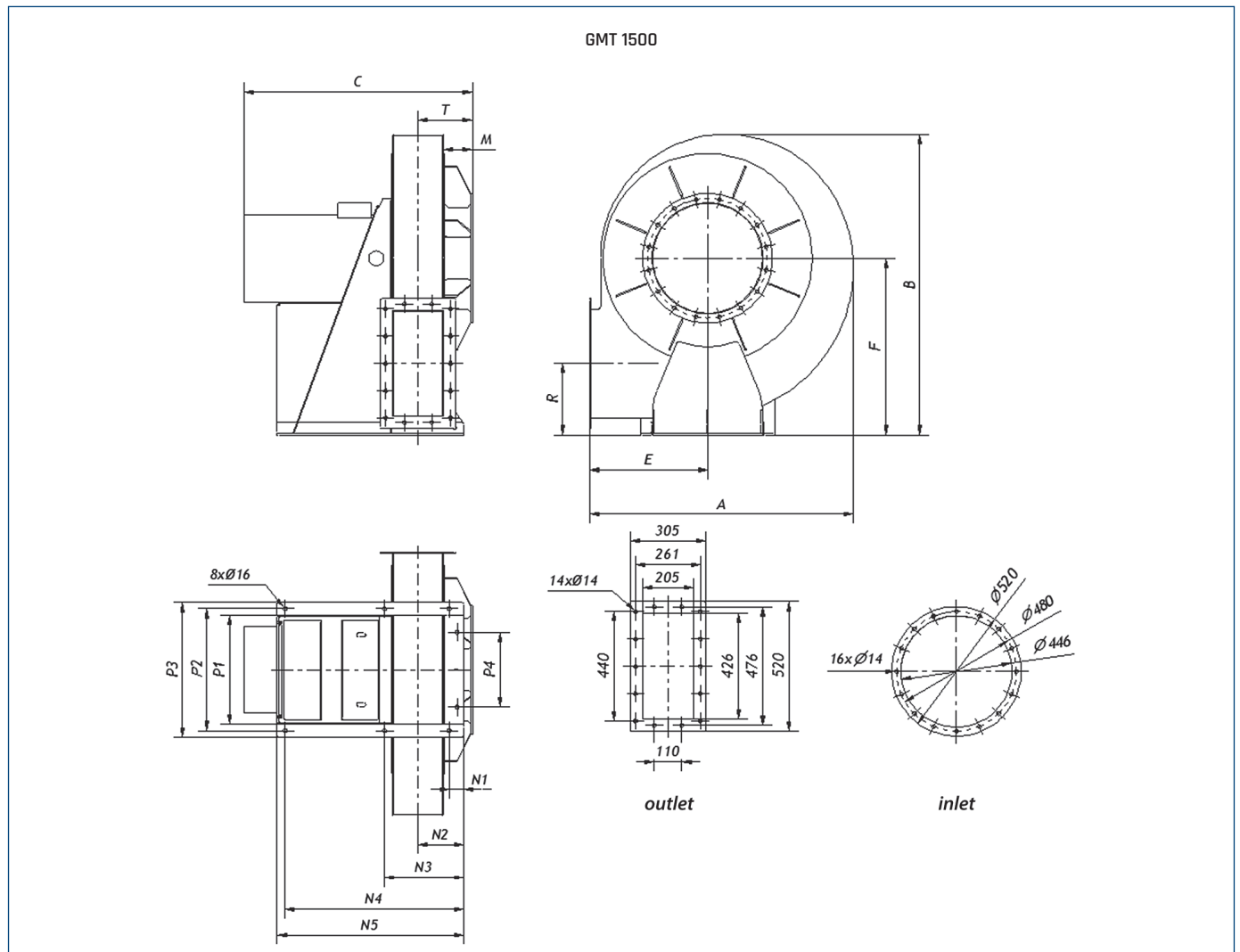
DIMENSIONS [mm]



Type	A	B	C*	ØD1	ØD2	ØD3	E	F	M	N1	N2	N3	N4	N5	P1	P2	P3	R	T	ØZ
GMT-900	1016	1161	750	315	345	375	443	640	58	30	145	375	720	750	340	400	440	197	158	8
GMT-1200	788	927	837	400	450	500	335	549	52	25	184	375	705	730	376,5	404	440	231	196	10

\* dimension C depends on the motor used

DIMENSIONS [mm]



Type	A	B	C*	E	F	M	N1	N2	N3	N4	N5	P1	P2	P3	P4	R	T
GMT-1500	1058,5	1208	917,5	473,5	710	116,5	57	182,5	317	717	749	440	490	540	300	288	219

\* dimension C depends on the motor used

ELECTRICAL ACCESSORIES

Type	inverter	service switch
GMT-60-037S	-	R-S 1-F + SP, 16A
GMT-60-037T	L 0,4	R-S 3-F + SP, 10A
GMT-80-037S	-	R-S 1-F + SP, 16A
GMT-80-037T	L 0,4	R-S 3-F + SP, 10A
GMT-80-055S	-	R-S 1-F + SP, 16A
GMT-80-055T	L 0,75	R-S 3-F + SP, 10A
GMT-100-055S	-	R-S 1-F + SP, 16A
GMT-100-055T	L 0,75	R-S 3-F + SP, 10A
GMT-100-075S	-	R-S 1-F + SP, 16A
GMT-100-075T	L 0,75	R-S 3-F + SP, 10A
GMT-130-075S	-	R-S 1-F + SP, 16A
GMT-130-075T	L 0,75	R-S 3-F + SP, 10A
GMT-130-110S	-	R-S 1-F + SP, 16A
GMT-130-110T	L 1,5	R-S 3-F + SP, 10A
GMT-200-110S	-	R-S 1-F + SP, 16A

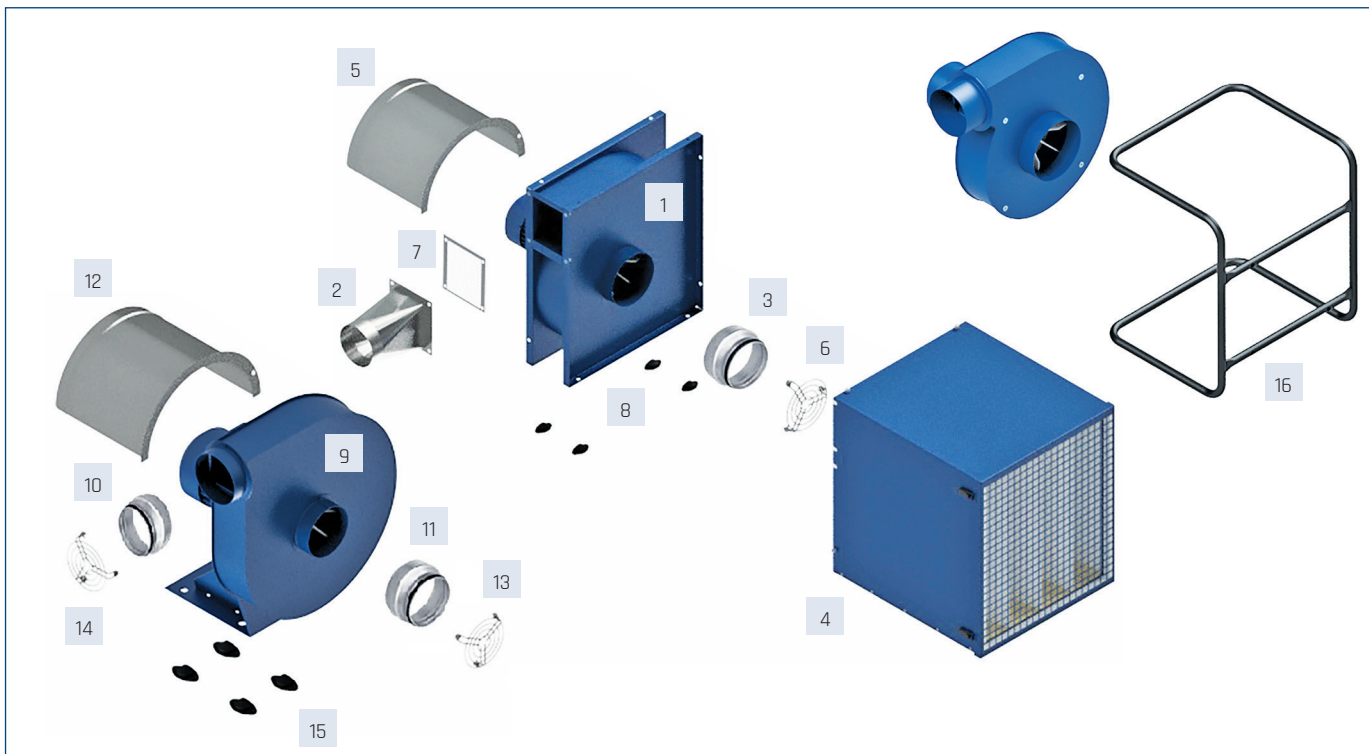
Type	inverter	service switch
GMT-200-110T	L 1,5	R-S 3-F + SP, 10A
GMT-250-150T	L 1,5	R-S 3-F + SP, 10A
GMT-250-220T	L 2,2	R-S 3-F + SP, 10A
GMT-300-220T	L 2,2	R-S 3-F + SP, 10A
GMT-400-300T	L 4,0	R-S 3-F + SP, 10A
GMT-500-400T	L 4,0	R-S 3-F + SP, 10A
GMT-600-550T	L 5,5	R-S 3-F + SP, 10A
GMT-700-750T	L 7,5	R-S 3-F + SP, 10A
GMT-750-1100T	L 11,0	R-S 3-F + SP, 16A
GMT-800-1500T	L 15,0	R-S 3-F + SP, 16A
GMT-900-1500T	L 15,0	R-S 3-F + SP, 16A
GMT-1200-1500T	L 15,0	R-S 3-F + SP, 16A
GMT-1500-3000T	on request	on request
GMT-1500-3700T	on request	on request



Article numbers

L 0,4 kW	40016302
L 0,75 kW	40016312
L 1,5 kW	40016322
L 2,2 kW	40016332
L 4,0 kW	40016352
L 5,5 kW	40016362
L 7,5 kW	40016372
L 11,0 kW	40016383
L 15,0 kW	40016392
R-S 3-F + SP, 10A	91040908-01
R-S 3-F + SP, 16A	91040908
R-S 1-F + SP, 16A	91040907-02

ACCESSORY ASSEMBLY



1	2	3	4	5	6	7	8
Type	Outlet reduction	Inlet reduction	Silencer filter module	Motor cover	Inlet guard	Outlet guard	Anti-vibration mount
GMT-60	-	-	-	25511580	-	-	26040965
GMT-80	-	-	-	25511580	40522012	-	26040965
GMT-100	46515600	-	25511060-30	25511583	40522012	45510600	26040965
GMT-130	46515600	-	25511060-30	25511583	40522012	45510600	26040965
GMT-200	46515610	-	25511130-30	25511584	40522012	45510610	26040965
GMT-250	46515610	-	25511130-30	25511584	40522012	45510610	26040965
GMT-300	46515625	-	25511130-30	25511584	40522013	45510620	26040965
GMT-400	46515625	-	25511130-30	25511584	40522013	45510620	26040965
GMT-500	46515635	-	25511130-30	25511586	40522014	45510630	41021390
GMT-600	-	-	-	25511587	40522014	-	41021390
GMT-700	46515640	-	-	25511587	40522015	45510640	41021390
GMT-750	46515640	-	-	25511587	40522015	45510640	41021390
GMT-800	46515640	-	-	25511587	-	45510640	41021390
GMT-900	-	-	-	25511588	-	45510700	26040953
GMT-1200	-	-	-	25511589	-	45510710	26040953
GMT-1500	-	-	-	25511590	-	45510720	26040954

9	10	11	12	13	14	15	16
Type	Outlet reduction	Inlet reduction	Motor cover	Inlet guard	Outlet guard	Anti-vibration mount	Frame
GMT-60	-	-	25511580	40522010	40522010	26040960	-
GMT-80	-	-	25511580	40522012	40522012	26040960	-
GMT-100	-	-	25511583	40522012	40522011	-	25511030
GMT-130	-	-	25511583	40522012	40522011	-	25511030

