



COMPLETE FILTERS FOR BLOWERS

This kind of filters is used inside vacuum pumps, blowers and compressors. Different versions are available: with thread and bail connections from M 12 x 1,5 to 4" (in case of thread connection) and from ø 20 to ø 100 (for bail connection).

Either the complete filters or their inner cartridges can be supplied with different types of filtrating media (paper, polyester, inox steel and cloth).

The painting technique assures the filter for its external applications.

Thanks to their versatility, our products can be used as replacement to the most common original filters.

A FEW CROSS - REFERENCES

Our REF.	MANN+HUMMEL REF.	BECKER REF.	RIETSCHLE REF.
FA.1010.00	4500977106	-	-
FA.1020.00	4502177125	FK.35 74000807	-
FA.1030.00	4503277105	FK.200 74000209	-
FA.1040.00	4503777015	-	-
FA.1050.00	4507477115	FK.450 74000110	-
FA.1060.00	4513877126	FK.1000 74000512	-
FA.3010.1	-	-	730092
FA.3010.2	-	-	730093
FA.3010.3	-	-	730091
FA.3020.1	-	-	730099
FA.3020.2	-	-	730095
FA.3030.1	-	-	730096
FA.3040.1	-	-	730109
FA.3050.1	-	-	730097
FA.3060.1	-	-	730098

COMPLETE FILTERS FOR BLOWERS

DIMENSION OF COMPLETE FILTERS

Our REF.	FIG.	FLOW RATE m3/h	DIMENSIONS				SPARE PARTS		
			R	A	B	C	Our REF.	O.E.M REF.	
FA.1007/10	A	24	M 12 x 1,5	53	30	10	K.2324	-	
FA.1008/10	A	24	G.3/8"	53	30	10	K.2324	-	
FA.1009/10	A	10	G.1/2"	79	60	10	K.2323	-	
FA.1009/16	A	10	M 16 x 1,5	79	60	10	K.2323	-	
FA.1010/10	A	36	G.3/4"	95	83	40	K.2056	Mann	C.75/4
FA.1020/10	A	84	G.1"	130	90	60	K.2032	Mann	C.1112
FA.1020/20	A	96	G.1"1/4	130	90	60	K.2032	Mann	C.1112
FA.1030/10	A	210	G.1"1/2	130	115	80	K.2053	Mann	C.1132
FA.1040/10	A	270	G.2"	160	135	80	K.2051	Mann	C.1337
FA.1050/10	A	480	G.2"1/2	180	135	80	K.2061	Mann	C.1574
FA.1060/10	A	900	G.3"	280	135	80	K.2063	Mann	C.21138/1
FA.1065/10	A	1350	G.4"	320	210	115	K.2068	Mann	C.26240
FA.3010.1	A	48	G.1/2"	105	65	100	K.2078	Rietschle	730105
FA.3010.2	A	48	G.3/4"	105	65	100	K.2078	Rietschle	730105
FA.3010.3	A	48	G.1"	105	65	100	K.2078	Rietschle	730105
FA.3020.1	A	84	G.1"	130	90	100	K.2079	Rietschle	730106
FA.3020.2	A	114	G.1"1/2	130	90	200	K.2079	Rietschle	730106
FA.3030.1	A	300	G.2"	214	110	200	K.2080	Rietschle	730104
FA.3040.1	A	480	G.2"1/2	216	139	250	K.2081	Rietschle	730102
FA.3050.1	A	900	G.3"	285	85	250	K.2082	Rietschle	730103
FA.3060.1	A	1800	G.4"	330	170	300	K.2065	Rietschle	730101
FA.1010.00	B	30	20	95	83	25	K.2056	Mann	C.75/4
FA.1020.00	B	120	40	130	90	25	K.2032	Mann	C.1112
FA.1030.00	B	210	52	130	115	30	K.2053	Mann	C.1132
FA.1040.00	B	270	60	160	135	30	K.2051	Mann	C.1337
FA.1041.00	B	270	70	160	135	30	K.2051	Mann	C.1337
FA.1050.00	B	480	80	180	135	30	K.2061	Mann	C.1574
FA.1060.00	B	900	100	280	180	30	K.2063	Mann	C.21138/1

Fig. A

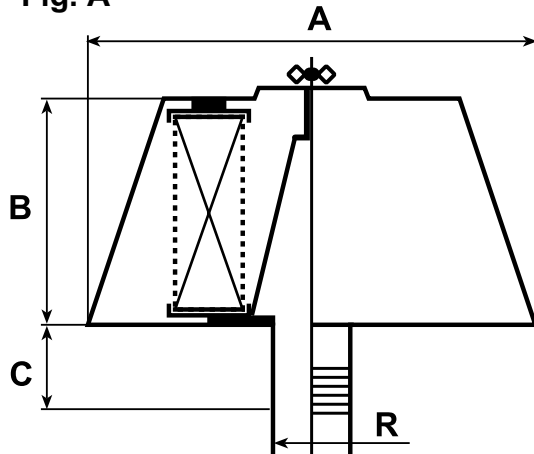


Fig. B

