

MB P/R



MEDIUM PRESSURE FAN WITH STRAIGHT IMPELLER

MANUFACTURING FEATURES:

- Rolled steel sheet housing.
- Welded and reinforced housing
- Simple inlet straight blade impeller manufactured of steel sheet and with reinforced with a welded ring protected with polyester powder finishing coat.
- Polyester powder finishing coat.
- Squirrel asynchronous squirrel-cage motor with IP-55 protection and rated class F insulation. Standard voltages 230/400V 50Hz for three phase for motors up to 4kW and 400/690V 50Hz for higher powers.
- Standard orientation: LG270.

APPLICATIONS:

- Designed for inline installation, they are suitable for:
- Solid material transport (except for textile fibers).
 - Maximum working temperature: carried air: 130°C, ambient 60°C.

UNDER REQUEST:

- Special voltages.
- 2 speed motors (three phase motors).
- Fan for air working temperatures up to 250°C with R/R (cooling impeller).
- Orientation: LG0, LG 45, LG 90, LG 135, LG 180, LG225, LG315, RD0, RD45, RD90, RD135, RD180, RD225, RD 270, RD315.

Accessories



AB



AC



AVR



AVS



BA-400



EI



FS



INT



JE 45



RA



RBS



SFC

Technical data

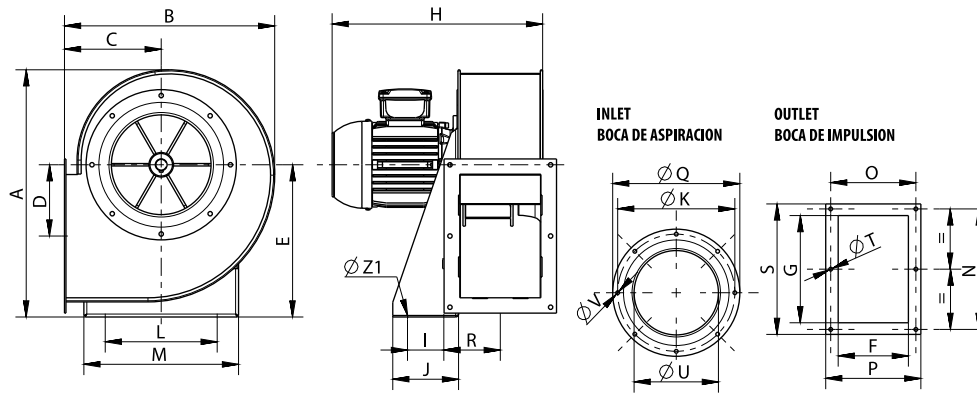
Three-phase motor

Code	Model	R.P.M.	Rated I. A		Rated power kW	Max. Airflow m ³ /h	Sound db (A)**	Weight kg	Connect. diagram
			230V	400V					
253210160	MB 22/9 T2 1,1kW P/R	2800	4,05	2,33	1,10	2.100	70	23	1
253280160	MB 25/10 T2 1,5kW P/R	2865	5,83	3,14	1,50	2.540	72	31	1
253360161	MB 28/11 T2 2,2kW P/R	2840	7,97	4,58	2,20	4.510	75	40	1
253450160	MB 31/12 T2 3kW P/R	2880	10,3	5,92	3,00	5.310	77	55	1
253480161	MB 35/14 T2 5,5kW P/R	2910	-	10,6	5,50	7.810	80	85	1
253510160	MB 40/16 T2 7,5kW P/R	2910	-	14,1	7,50	9.510	84	103	1
253530160	MB 45/18 T2 11kW P/R	2940	-	20,8	11,00	10.510	87	180	1
253530161	MB 45/18 T2 15kW P/R	2935	-	27,4	15,00	12.510	88	191	1

Notes:

** Total sound pressure level at the point of maximum flow measured in dB(A) in the suction measured in free field at a distance of 6m from the source

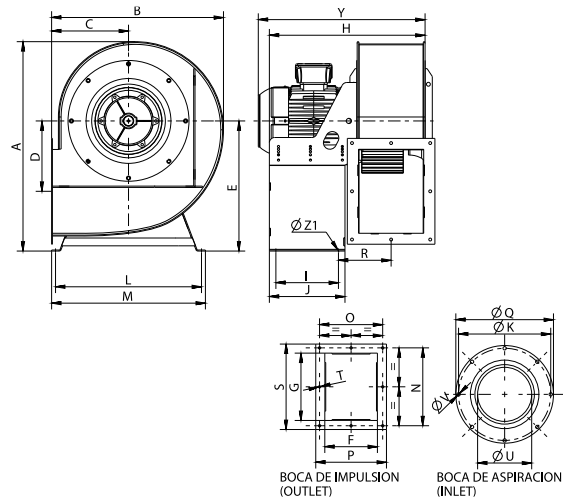
Dimensions



Model	A	B	C	D	E	F	G	H	I
MB 22/9 T2 1,1kW P/R	455	393,5	184	140	280	140	216	385,5	50
MB 25/10 T2 1,5kW P/R	502,5	429	197	150,5	310	165	254	437	74
MB 28/11 T2 2,2kW P/R	555	475	216	160	340	176	300	477	95

Model	J	K	L	M	N	O	P	Q	R
MB 22/9 T2 1,1kW P/R	182.5	256	220	290	256	280	204	280	102
MB 25/10 T2 1,5kW P/R	219	282	228	315	290	205	229	306	1145
MB 28/11 T2 2,2kW P/R	234.5	320	245	350	340	220	244	348	110

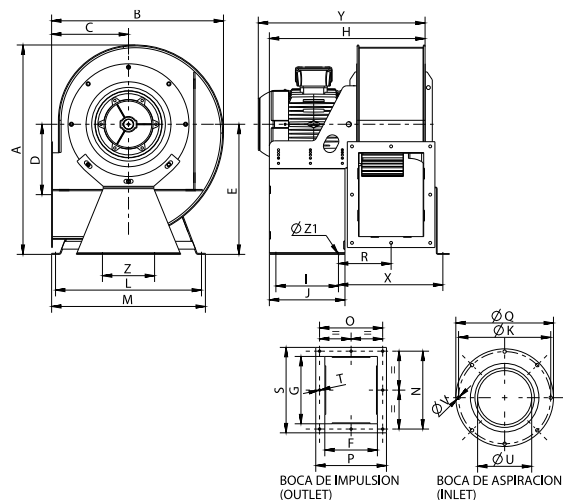
Model	S	TØ	UØ	VØ	Z1Ø
MB 22/9 T2 1,1kW P/R	282	9	180	9	11
MB 25/10 T2 1,5kW P/R	314	9	203	9	11
MB 28/11 T2 2,2kW P/R	364	11	228	9	11



Model	A	B	C	D	E	F	G	H	I
MB 31/12 T2 3kW P/R	646	537	249	186	406	198	319	538	240
MB 35/14 T2 5,5kW P/R	722	593	270	249,5	451	224	280	564	240

Model	J	K	L	M	N	O	P	Q	R
MB 31/12 T2 3kW P/R	290	354,5	457	482	360	240	274	382	171
MB 35/14 T2 5,5kW P/R	290	394,5	449	474	318	266	300	422	184

Model	S	TØ	UØ	VØ	X	Y	Z	Z1Ø
MB 31/12 T2 3kW P/R	395	11	257	11	-	533	-	13
MB 35/14 T2 5,5kW P/R	356	11	289	11	-	674	-	13



Model	A	B	C	D	E	F	G	H	I
MB 40/16 T2 7,5kW P/R	802	658	295	279	499	250	320	595	240
MB 45/18 T2 11kW P/R	891	737	329	314,5	553	280	360	791	400
MB 45/18 T2 15kW P/R	891	737	329	314,5	553	280	360	791	400

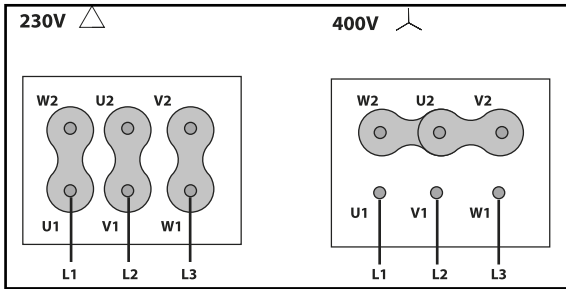
Model	J	K	L	M	N	O	P	Q	R
MB 40/16 T2 7,5kW P/R	290	438	560	590	370	300	336	464	202
MB 45/18 T2 11kW P/R	450	485	602	632	404	328	356	515	207
MB 45/18 T2 15kW P/R	450	485	602	632	404	328	356	515	207

Model	S	TØ	UØ	VØ	X	Y	Z	Z1Ø
MB 40/16 T2 7,5kW P/R	406	11	325	11	400	700	200	13
MB 45/18 T2 11kW P/R	436	11	365	11	430	856	200	13
MB 45/18 T2 15kW P/R	436	11	365	11	430	856	200	13

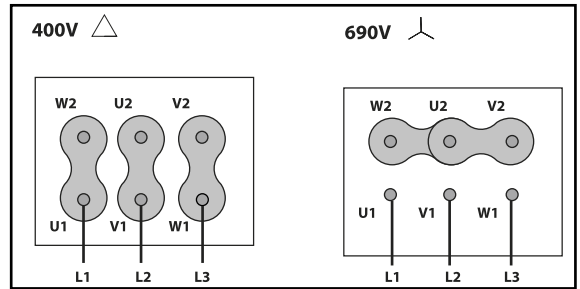
Wiring diagram

Wiring diagram Nº 1

230/400V



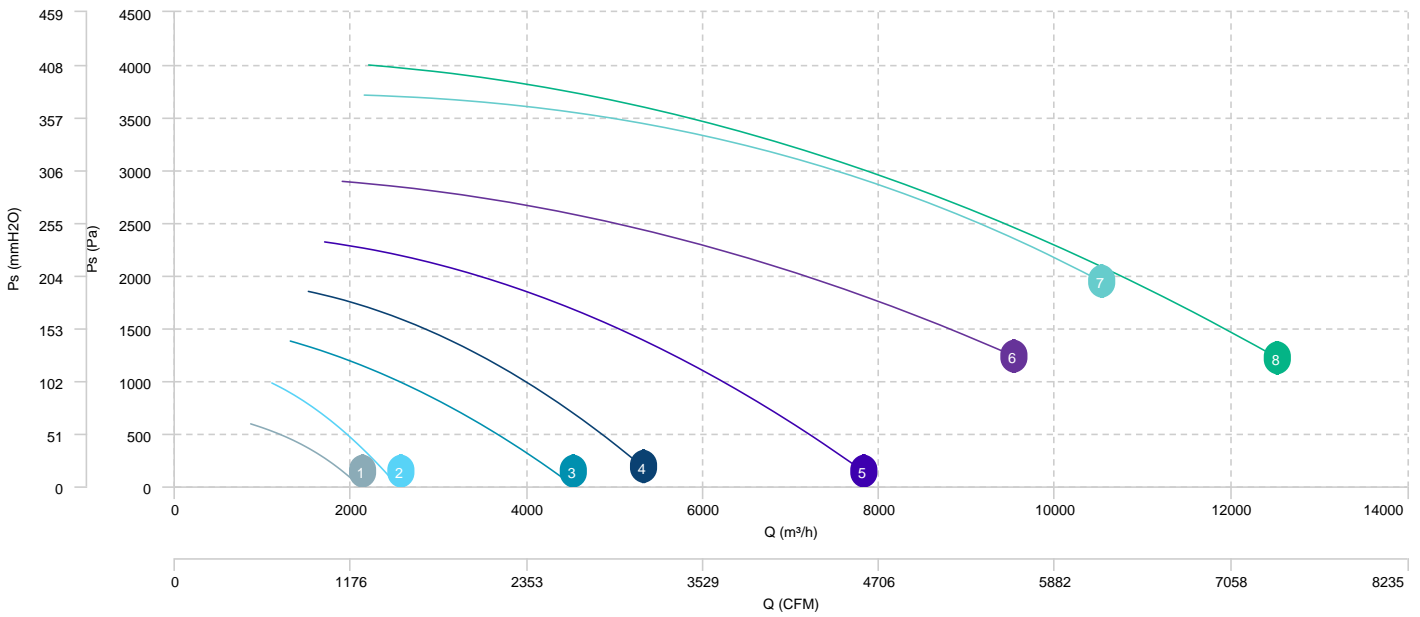
400/690V



CHARACTERISTIC CURVE

1	MB 22/9 T2 1,1kW P/R	2	MB 25/10 T2 1,5kW P/R	3	MB 28/11 T2 2,2kW P/R	4	MB 31/12 T2 3kW P/R
5	MB 35/14 T2 5,5kW P/R	6	MB 40/16 T2 7,5kW P/R	7	MB 45/18 T2 11kW P/R	8	MB 45/18 T2 15kW P/R

AIR FLOW - PRESSURE



Sound data

Sound power Lw dB (A)										
Model		63 Hz	125 Hz	250 Hz	500 Hz	1000 Hz	2000 Hz	4000 Hz	8000 Hz	Total
MB 22/9 T2 1,1kW P/R	Inlet	59	75	90	90	91	88	86	77	96
MB 25/10 T2 1,5kW P/R	Inlet	61	77	92	92	93	90	88	79	98
MB 28/11 T2 2,2kW P/R	Inlet	64	80	95	95	96	93	91	82	101
MB 31/12 T2 3kW P/R	Inlet	66	82	97	97	98	95	93	84	103
MB 35/14 T2 5,5kW P/R	Inlet	69	85	100	100	101	98	96	87	106
MB 40/16 T2 7,5kW P/R	Inlet	73	89	104	104	105	102	100	91	110
MB 45/18 T2 11kW P/R	Inlet	76	92	107	107	108	105	103	94	113
MB 45/18 T2 15kW P/R	Inlet	77	93	108	108	109	106	104	95	114