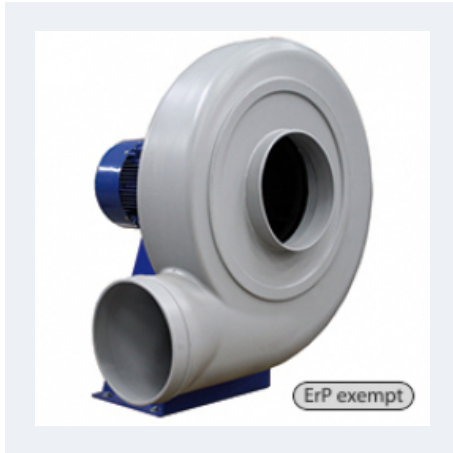


## MBPC



### MEDIUM PRESSURE FAN WITH FORWARD IMPELLER AND IN PLASTIC CONSTRUCTION

#### MANUFACTURING FEATURES:

- PE plastic housing (antistatic PE-el for ATEX units).
- Forward curved impeller in PP plastic.
- Motor support made of rolled steel sheet with polyester powder finishing coat.
- Stainless steel nuts and bolts.
- Standard asynchronous squirrel-cage motor, IP-55, class F insulation. Standard voltages 230/400V 50Hz.
- Standard orientation: LG270.

#### APPLICATIONS:

Designed for inline installation, they are suitable for:

- Corrosive air transport.
- Chemical and petrochemical industry.
- Laboratories and gas cabinets.
- Maximum temperature of transported air: If it is clean air 70°C, other depends on the gas (see table in documentation)

#### UNDER REQUEST:

- Single phase motors (up to 1,5kW).
- 60Hz fans and special voltages fans.
- 2 speed motors.
- Stainless steel motor support.
- Orientation: RD0, RD45, RD90, RD135, RD180, RD225, RD270, RD315, LG0, LG45, LG90, LG135, LG180. LG225, LG315.
- Casing made of PP.

## Accessories

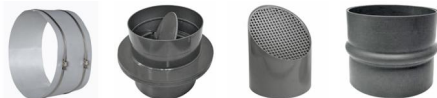


AD

AV

AVR

AVS



BA-400

CSC

DG

FJ



INT

JE 45

PD

RPI



SFC

WS

## Technical data

### Three-phase motor / 2 poles

Code	Model	R.P.M.	Rated I. A		Rated power kW	Max. Airflow m <sup>3</sup> /h	Sound db (A)**	Weight kg	Connect. diagram
			230V	400V					
502302014	MBPC 20 T2 0,25kW	2710	1,2	0,71	0,25	610	68	9	1
502302517	MBPC 25 T2 0,75kW	2840	3,00	1,75	0,75	1.220	73	13	1
502302818	MBPC 28 T2 1,1kW	2850	4,2	2,42	1,10	1.690	78	19	1
502303119	MBPC 31 T2 1,5kW	2850	5,5	3,2	1,50	2.710	82	26	1
502303527	MBPC 35 T2 2,2kW	2860	7,9	4,54	2,20	2.710	81	50	1

### Three-phase motor / 4 poles

Code	Model	R.P.M.	Rated I. A		Rated power kW	Max. Airflow m <sup>3</sup> /h	Sound db (A)**	Weight kg	Connect. diagram
			230V	400V					
502302039	MBPC 20 T4 0,12kW	1360	1,00	0,55	0,12	310	52	9	1
502302540	MBPC 25 T4 0,18kW	1310	1,2	0,7	0,18	630	57	10	1
502302840	MBPC 28 T4 0,18kW	1310	1,2	0,7	0,18	860	62	14	1
502303141	MBPC 31 T4 0,25kW	1350	1,4	0,8	0,25	1.510	67	19	1
502303542	MBPC 35 T4 0,37kW	1370	1,9	1,1	0,37	2.110	65	40	1
502304044	MBPC 40 T4 0,75kW	1410	3,1	1,79	0,75	2.550	69	33	1
502304545	MBPC 45 T4 1,5kW	1420	5,7	3,31	1,50	3.900	71	65	1
502305054	MBPC 50 T4 2,2kW	1440	8,4	4,83	2,20	5.250	75	100	1
502305661	MBPC 56 T4 5,5kW	1450	-	10,9	5,50	8.990	77	115	1

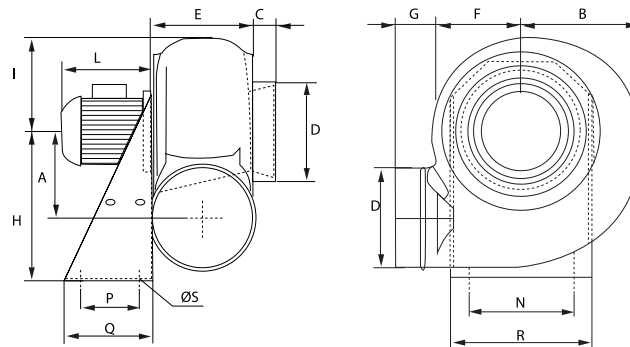
### Three-phase motor / 6 poles

Code	Model	R.P.M.	Rated I. A		Rated power kW	Max. Airflow m <sup>3</sup> /h	Sound db (A)**	Weight kg	Connect. diagram
			230V	400V					
502303167	MBPC 31 T6 0,12kW	850	1,1	0,62	0,12	990	56	19	1
502304069	MBPC 40 T6 0,25kW	900	1,5	0,87	0,25	1.670	58	30	1
502305072	MBPC 50 T6 0,75kW	925	3,5	2,01	0,75	3.440	63	90	1
502305678	MBPC 56 T6 2,2kW	945	8,9	5,12	2,20	5.890	66	95	1

**Notes:**

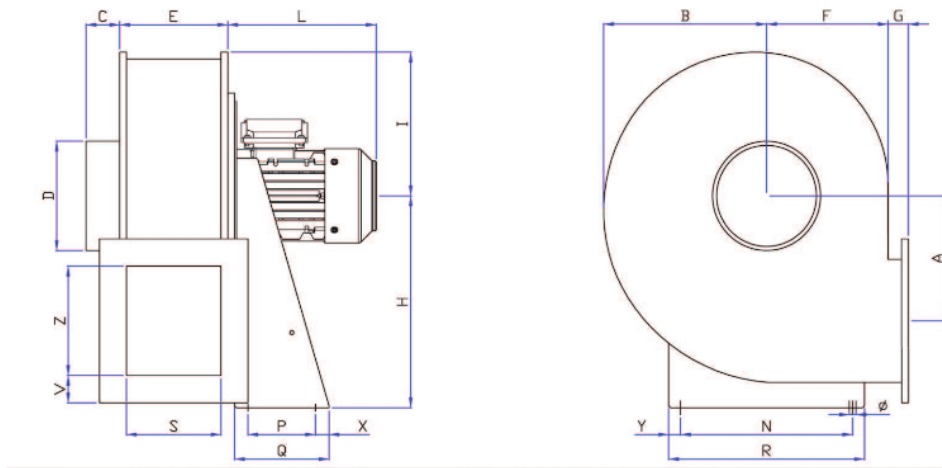
\*\* Total sound pressure level at the point of maximum flow measured in dB(A) in the suction measured in free field at a distance of 6m from the source

## Dimensions



Model	A	B	C	DØ	E	F	G	H	I
MBPC 20 T2 0,25kW	142	187	40	125	120	150	60	250	165
MBPC 20 T4 0,12kW	142	187	40	125	120	150	60	250	165
MBPC 25 T2 0,75kW	183	228	40	160	153	188	60	310	210
MBPC 25 T4 0,18kW	183	228	40	160	153	188	60	310	210
MBPC 28 T2 1,1kW	208	274	40	180	160	204	60	350	230
MBPC 28 T4 0,18kW	208	274	40	180	160	204	60	350	230
MBPC 31 T2 1,5kW	230	310	40	200	170	220	60	410	245
MBPC 31 T4 0,25kW	230	310	40	200	170	220	60	410	245
MBPC 31 T6 0,12kW	230	310	40	200	170	220	60	410	245
MBPC 40 T4 0,75kW	290	380	40	250	194	265	80	495	330
MBPC 40 T6 0,25kW	290	380	40	250	194	265	80	495	330

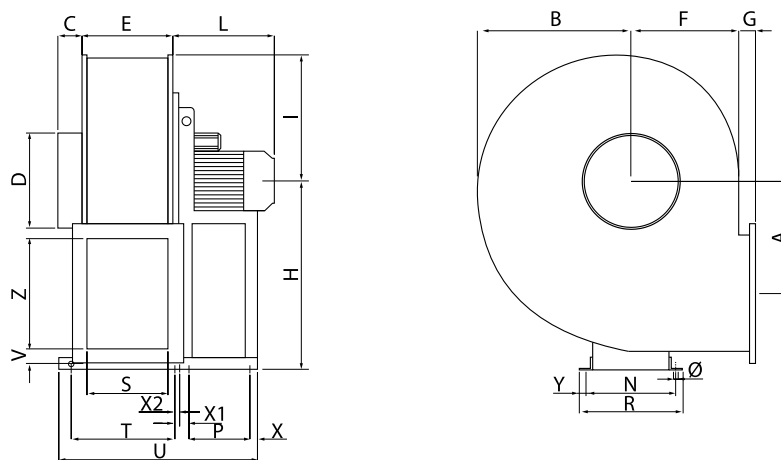
Model	L	N	P	Q	R	ØS
MBPC 20 T2 0,25kW	195	200	100	140	235	11
MBPC 20 T4 0,12kW	190	200	100	140	235	11
MBPC 25 T2 0,75kW	220	255	100	140	290	11
MBPC 25 T4 0,18kW	190	255	100	140	290	11
MBPC 28 T2 1,1kW	190	277	120	190	316	11
MBPC 28 T4 0,18kW	240	277	120	190	316	11
MBPC 31 T2 1,5kW	290	320	150	230	355	11
MBPC 31 T4 0,25kW	210	320	150	230	355	11
MBPC 31 T6 0,12kW	210	320	150	230	355	11
MBPC 40 T4 0,75kW	240	330	170	250	365	11
MBPC 40 T6 0,25kW	220	330	170	250	365	11



Model	A	B	C	D	E	F	G	H	I
MBPC 35 T2 2,2kW	275	328	50	225	185	230	40	445	285
MBPC 35 T4 0,37kW	275	328	50	225	185	230	40	445	285
MBPC 45 T4 1,5kW	292	382	50	280	280	340	40	550	350

Model	L	N	P	Q	R	S	V	X	Y
MBPC 35 T2 2,2kW	290	355	150	230	390	175	40	40	17.5
MBPC 35 T4 0,37kW	220	355	150	230	390	175	40	40	17.5
MBPC 45 T4 1,5kW	290	370	170	250	410	210	40	40	20

Model	Z	Ø
MBPC 35 T2 2,2kW	250	11
MBPC 35 T4 0,37kW	250	11
MBPC 45 T4 1,5kW	300	11



Model	A	B	C	D	E	F	G	H	I
MBPC 50 T4 2,2kW	377	390	80	315	280	450	50	630	395
MBPC 50 T6 0,75kW	377	390	80	315	280	450	50	630	395
MBPC 56 T4 5,5kW	416	560	80	400	330	388	50	710	445
MBPC 56 T6 2,2kW	416	560	80	400	330	388	50	710	445

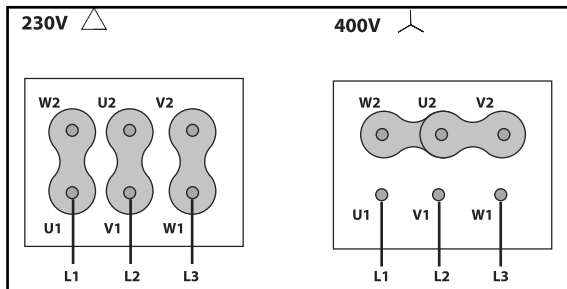
Model	L	N	P	R	S	T	U	V	X
MBPC 50 T4 2,2kW	300	289	237	325	260	390	730	50	25
MBPC 50 T6 0,75kW	250	289	237	325	260	390	730	50	25
MBPC 56 T4 5,5kW	340	445	270	481	310	454	994	50	25
MBPC 56 T6 2,2kW	330	289	270	325	310	454	827	50	25

Model	X1	X2	Y	Z	Ø
MBPC 50 T4 2,2kW	28	25	18	365	14
MBPC 50 T6 0,75kW	28	25	18	365	14
MBPC 56 T4 5,5kW	38	15	18	460	14
MBPC 56 T6 2,2kW	38	15	18	460	14

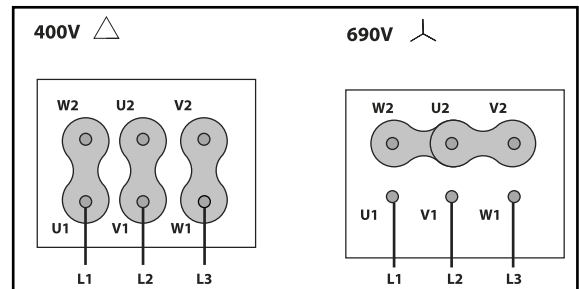
## Wiring diagram

### DIAGRAM N° 1

230/400V



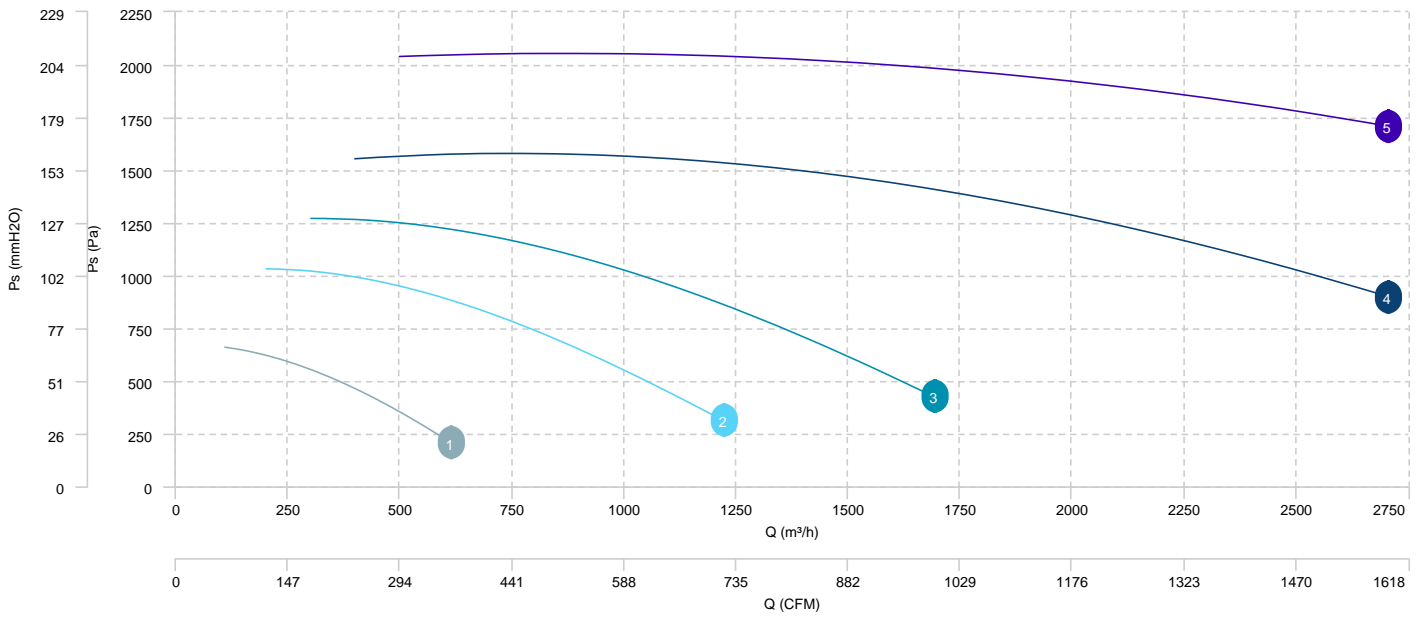
400/690V



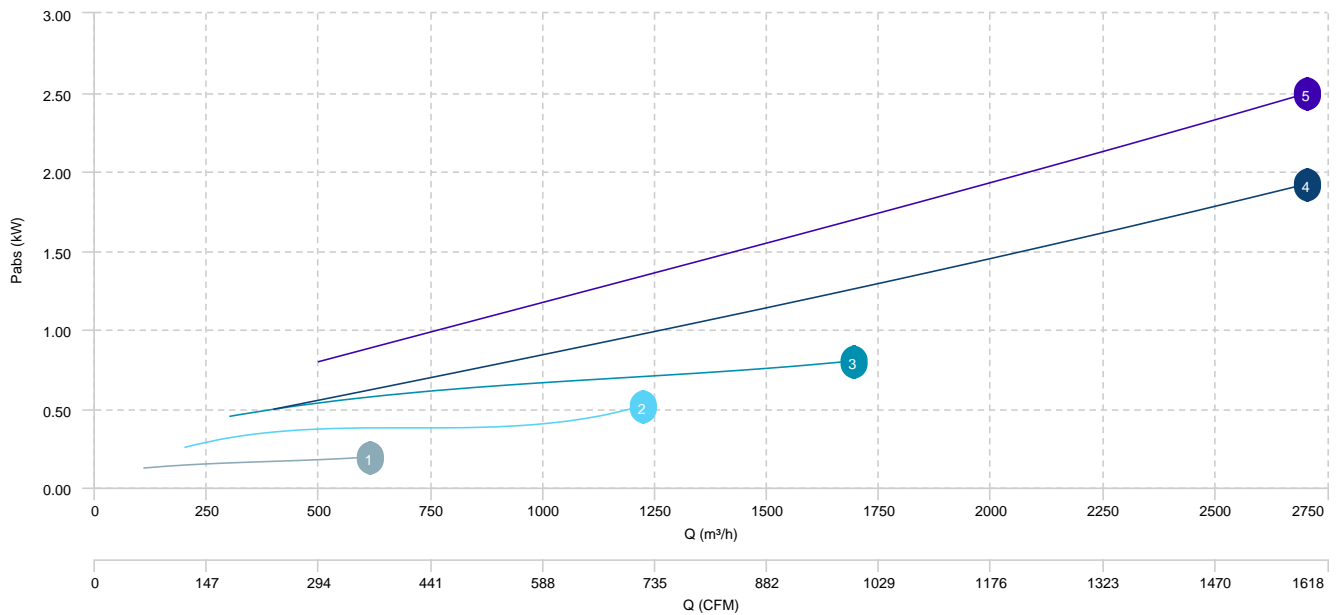
# CHARACTERISTIC CURVE

- 1 MBPC 20 T2 0,25kW
- 2 MBPC 25 T2 0,75kW
- 3 MBPC 28 T2 1,1kW
- 4 MBPC 31 T2 1,5kW
- 5 MBPC 35 T2 2,2kW

## AIR FLOW - PRESSURE

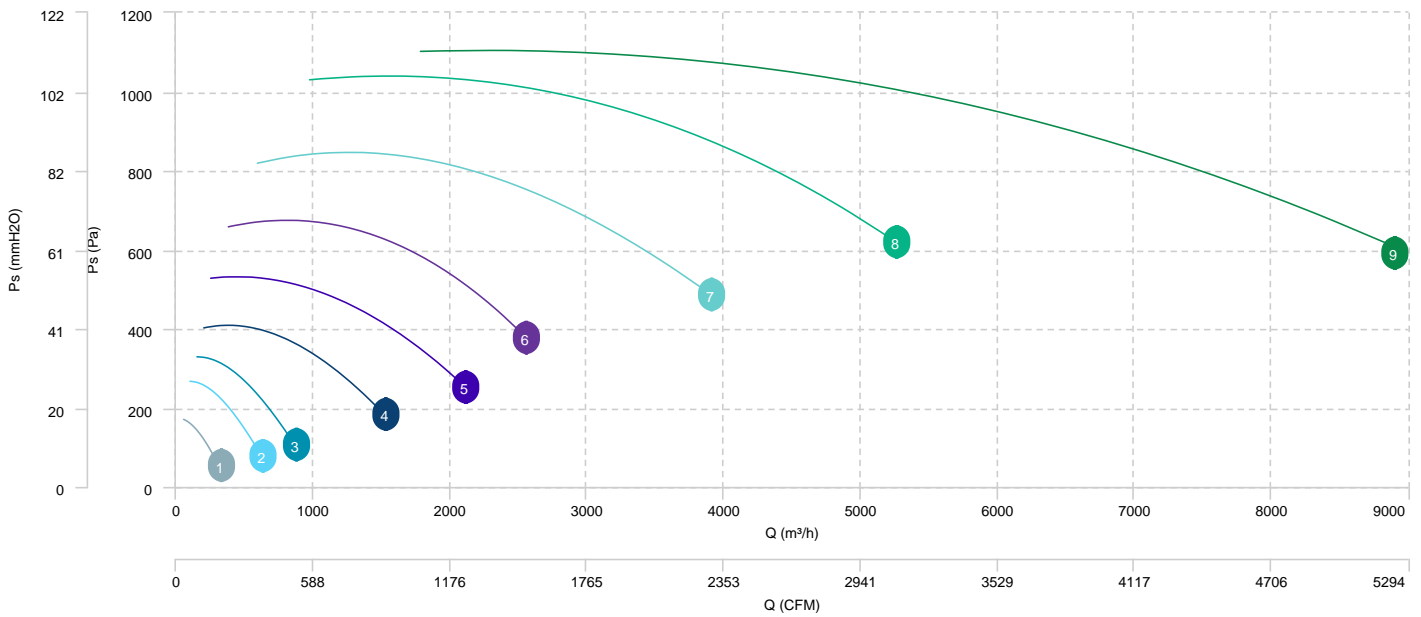


## AIR FLOW - ABSORBED POWER

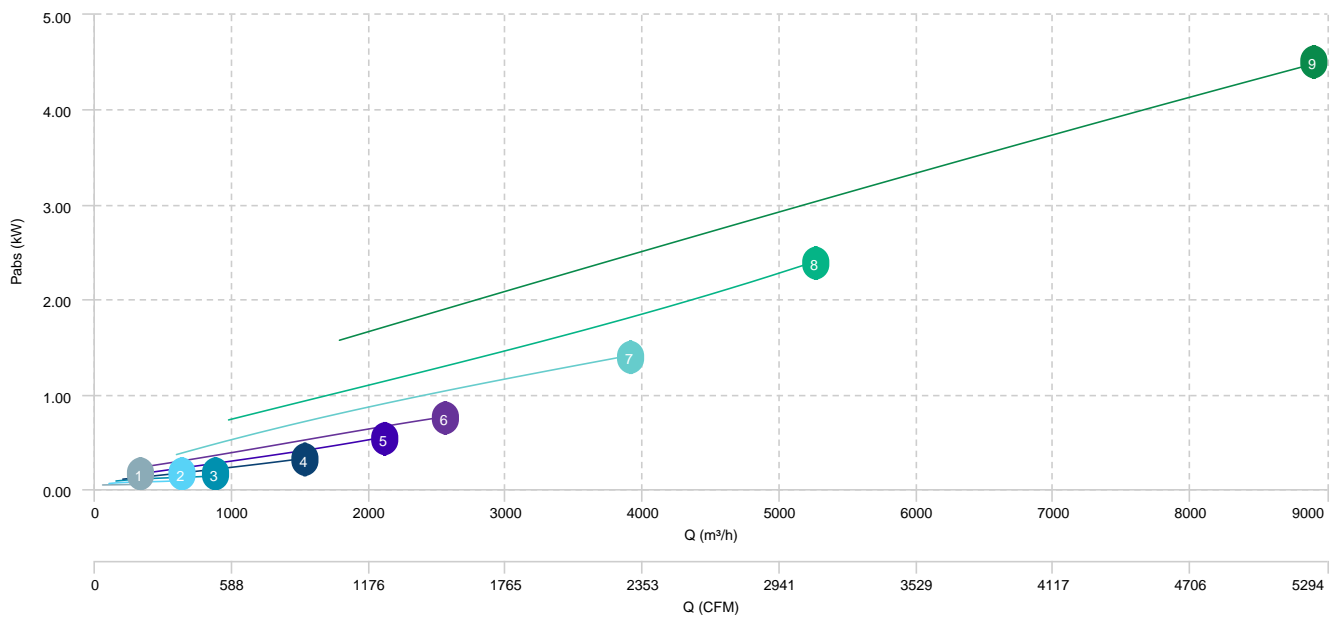


1	MBPC 20 T4 0,12kW	2	MBPC 25 T4 0,18kW	3	MBPC 28 T4 0,18kW	4	MBPC 31 T4 0,25kW
5	MBPC 35 T4 0,37kW	6	MBPC 40 T4 0,75kW	7	MBPC 45 T4 1,5kW	8	MBPC 50 T4 2,2kW
9	MBPC 56 T4 5,5kW						

## AIR FLOW - PRESSURE



## AIR FLOW - ABSORBED POWER



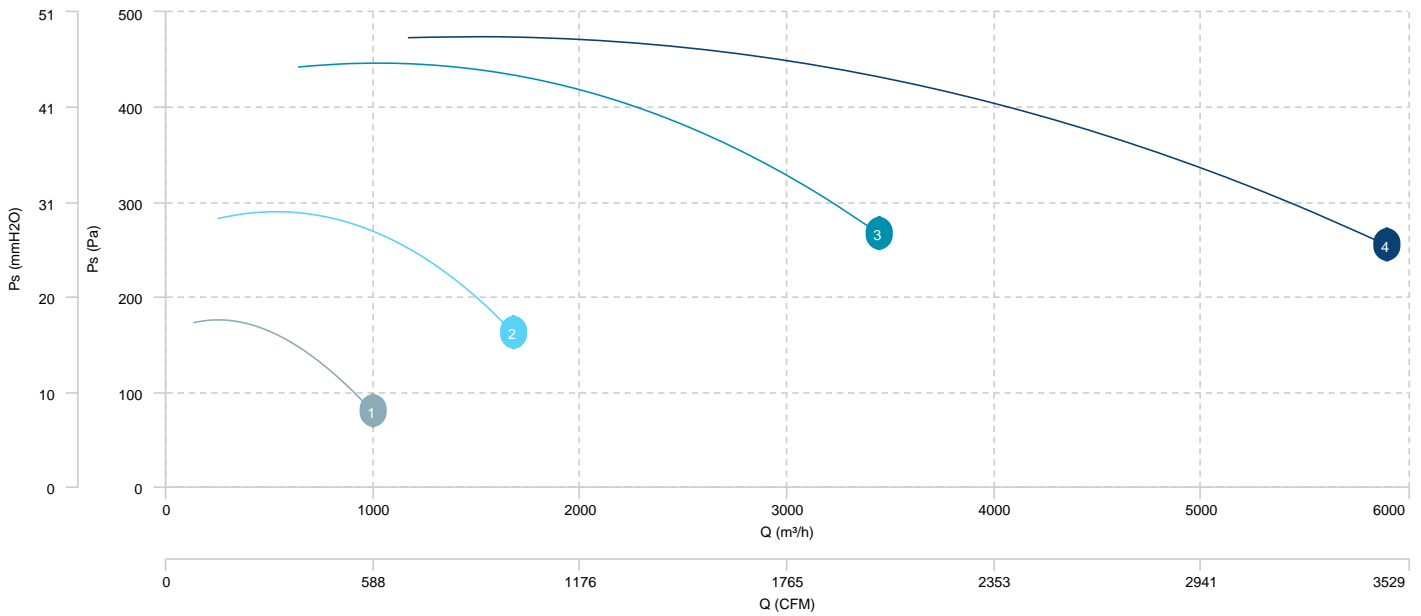
1 MBPC 31 T6 0,12kW

2 MBPC 40 T6 0,25kW

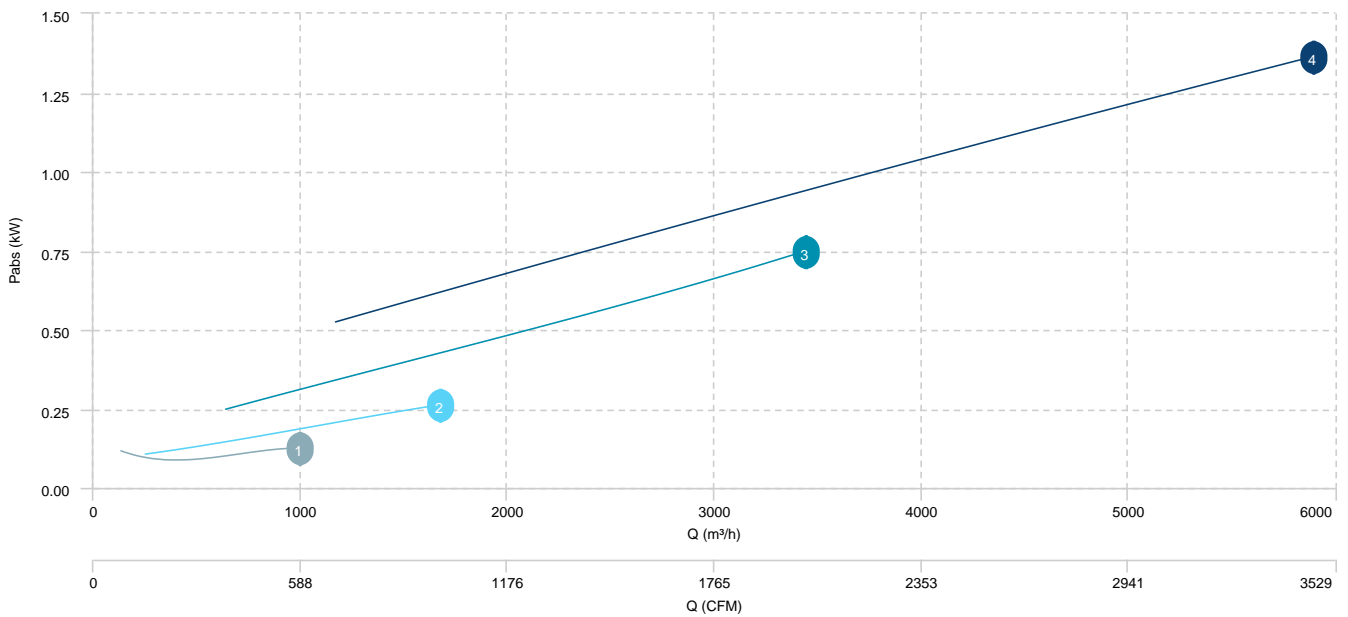
3 MBPC 50 T6 0,75kW

4 MBPC 56 T6 2,2kW

**AIR FLOW - PRESSURE**



**AIR FLOW - ABSORBED POWER**



## Sound data

### Sound / 2 poles

Sound power Lw dB (A)										
Model		63 Hz	125 Hz	250 Hz	500 Hz	1000 Hz	2000 Hz	4000 Hz	8000 Hz	Total
MBPC 20 T2 0,25kW	Inlet	86	88	86	84	86	78	70	62	94
MBPC 25 T2 0,75kW	Inlet	92	94	92	90	92	84	76	68	99
MBPC 28 T2 1,1kW	Inlet	96	98	96	94	96	88	80	72	104
MBPC 31 T2 1,5kW	Inlet	101	103	101	99	101	93	85	77	108
MBPC 35 T2 2,2kW	Inlet	99	101	99	97	99	91	83	75	107

### Sound / 4 poles

Sound power Lw dB (A)										
Model		63 Hz	125 Hz	250 Hz	500 Hz	1000 Hz	2000 Hz	4000 Hz	8000 Hz	Total
MBPC 20 T4 0,12kW	Inlet	70	72	70	68	70	62	54	46	78
MBPC 25 T4 0,18kW	Inlet	76	78	76	74	76	68	60	52	83
MBPC 28 T4 0,18kW	Inlet	81	83	81	79	81	73	65	57	88
MBPC 31 T4 0,25kW	Inlet	85	87	85	83	85	77	69	61	93
MBPC 35 T4 0,37kW	Inlet	83	85	83	81	83	75	67	59	91
MBPC 40 T4 0,75kW	Inlet	88	90	88	86	88	80	72	64	95
MBPC 45 T4 1,5kW	Inlet	90	92	90	88	90	82	74	66	97
MBPC 50 T4 2,2kW	Inlet	93	95	93	94	90	85	77	69	101
MBPC 56 T4 5,5kW	Inlet	95	97	95	96	92	87	79	71	103

### Sound / 6 poles

Sound power Lw dB (A)										
Model		63 Hz	125 Hz	250 Hz	500 Hz	1000 Hz	2000 Hz	4000 Hz	8000 Hz	Total
MBPC 31 T6 0,12kW	Inlet	75	77	75	73	75	67	59	51	82
MBPC 40 T6 0,25kW	Inlet	77	79	77	75	77	69	61	53	84
MBPC 50 T6 0,75kW	Inlet	82	84	82	83	79	74	66	58	89
MBPC 56 T6 2,2kW	Inlet	85	87	85	86	82	77	69	61	92